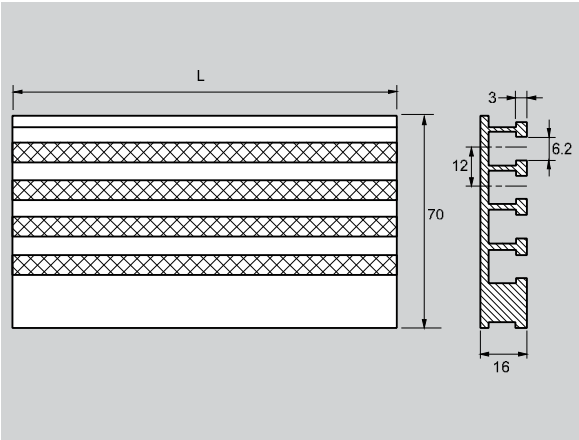
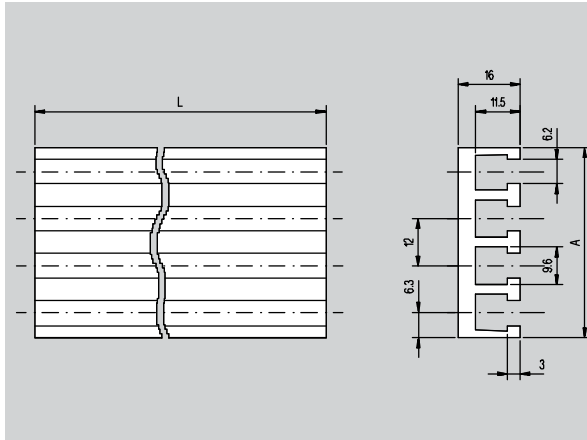


Mechanical Switches

Linear Cam Trays

Aluminum cam trays with **12 mm** T-slot spacing
w/o side flange
BNN 520-TA, TB- or BEN 516-13-
61, 62, 72, 100, 602-11, 605-11, 610-11, 611-11, 612-11, 613-11

Aluminum cam trays with **12 mm** T-slot spacing
w/side flange w/o mounting holes
BNN 520-TA, TB- or BEN 516-13-
61, 62, 72, 100, 602-11, 605-11, 610-11, 611-11, 612-11, 613-11



BNL 5310-120- - - - - without holes	
Number of slots	Dimension A
04	48.6
06	72.6
L = Standard cam tray lengths: 1000, 1500, 2,000 or 2500 mm Special length on request.	

BNL 5310-120-S - - - - - without holes	
Number of slots	
04	
L = Standard cam tray lengths: 1000, 1500, 2,000 or 2500 mm Special length on request.	

Cam trays

Cam trays are used for holding cams.
We offer these in standard lengths with or without standard holes.

Installation note

Cam trays should be mounted on flat surfaces or machined members.

Ordering example:
BNL 5310-120-04-1000

BNL 5310-120- - - - -

