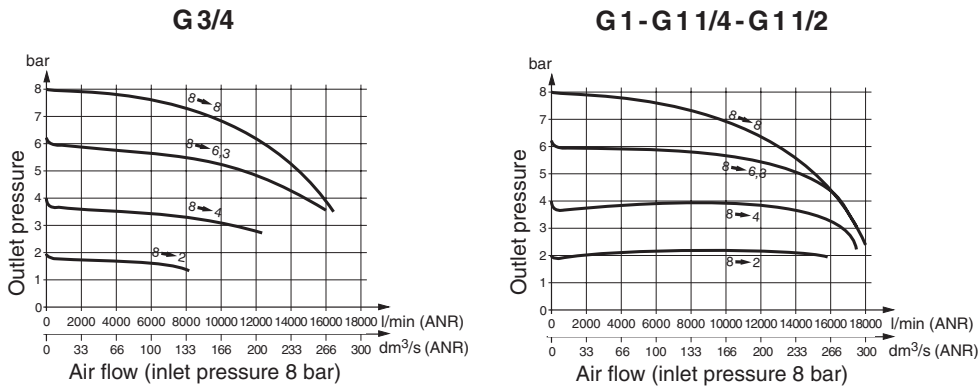




**PRESSURE LOSS VERSUS AIR FLOW CURVES**

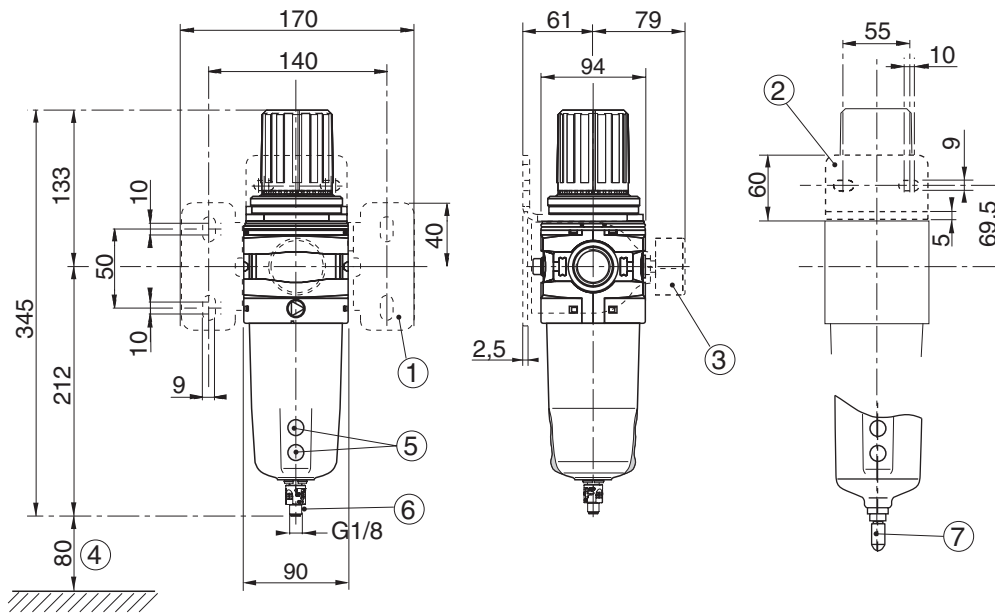


**DIMENSIONS AND WEIGHTS - G 3/4 - G 1 VERSIONS**

Weight: 1,5 kg

Mounting with side brackets

Mounting with top bracket



**G 1 1/4 - G 1 1/2 versions - see accessories**

- ① Mounting with 2 side brackets (accessory)
- ② Mounting with top bracket (accessory)
- ③ 50 mm dia. pressure gauge
- ④ Clearance required for bowl removal
- ⑤ Condensate level window
- ⑥ semi-automatic drain connectable G1/8
- ⑦ Automatic drain connectable to 6 mm ID flexible tubing

**INSTALLATION AND MAINTENANCE**

Systems must be installed with the bowls in vertical position (at the bottom).

Air flow direction indicated by arrow (▶).

**Use an alkaline solution (soapy water) and not a solvent for cleaning the polycarbonate bowls and sight glasses.**