



Measurement and Communication

Low-Voltage Current Transformers

In addition to a complete range of current transformers for rated current of up to 5,000 A, EFEN also offers numerous special-purpose transformers. These were designed to be integrated perfectly into any smart distribution system.

System

The comprehensive ranges comprise window-type current transformers, tube-type current transformers, wound-primary current transformers, summary current transformers, current transformer kits and transformer blocks.

Features

The EFEN product portfolio is characterized by high material quality and a wide range of accessories.



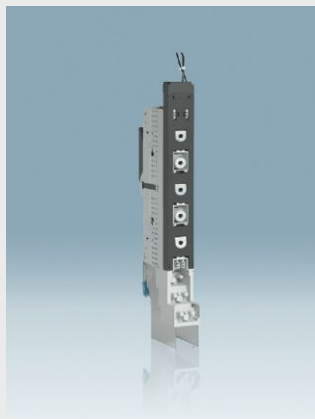
Low-Voltage Current Transformers

Window-type current transformers PSA series	page 280
Tube-type current transformers PSR series	page 296
Wound-primary current transformers PSW series	page 301
Summation current transformers PSS series	page 303
Window-type current transformers EPSA series for billing purposes	page 305
Accessories for window-type current transformers and tube-type current transformers	page 319
Technical data	page 320
Current transformers for NH Fuse-Switches	page 330
Technical data	page 332

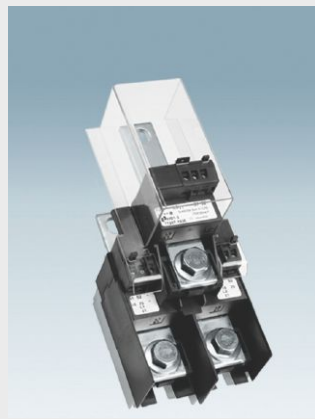
Window-type current transformer PSA 113
also PTB-compliant



E³ Current transformer block
for vertical-design NH fuse-switches
size 1 - 3



E³ current transformer block
PTB-compliant variant, sizes 00,
for terminal space



Tube-type current transformer PSR 253



Special-purpose current transformers
Wound-primary current transformers, summary current
transformers and transformers for NH fuse-links



Window-type current transformers

► Technical data, page 323



77101-1122

PSA 213 window-type current transformer

Features:

- Primary busbar 20 x 10 mm, accuracy class 0.5

Primary current	Secondary current	VA	Accuracy class	PU	Product designation	Order no.
75	5	1,5	0,5	3	PSA 213 75/5 1,5 0,5-WA 20X10 60-30	77101-1122
100	5	2,5	0,5	3	PSA 213 100/5 2,5 0,5-WA 20X10 60-30	77101-1332
125	5	5	0,5	3	PSA 213 125/5 5,0 0,5-WA 20X10 60-30	77101-1432
150	5	2,5	0,5	3	PSA 213 150/5 2,5 0,5-WA 20X10 60-30	77101-1532
200	5	5	0,5	3	PSA 213 200/5 5 0,5-WA 20x10 60-30	77101-1642
250	5	5	0,5	3	PSA 213 250/5 5,0 0,5-WA 20X10 60-30	77101-1742
75	1	1,5	0,5	3	PSA 213 75/1 1,5 0,5-WA 20X10 60-30	77101-6122
80	1	1,5	0,5	3	PSA 213 80/1 1,5 0,5-WA 20X10 60-30	77101-6222
100	1	2,5	0,5	3	PSA 213 100/1 2,5 0,5-WA 20X10 60-30	77101-6332



77101-1333

PSA 213 window-type current transformer

Features:

- Primary busbar 20 x 10 mm, accuracy class 1

Primary current	Secondary current	VA	Accuracy class	PU	Product designation	Order no.
50	5	1,5	1	3	PSA 213 50/5 1,5 1-WA 20X10 60-30	77101-0923
60	5	2,5	1	3	PSA 213 60/5 2,5 1-WA 20X10 60-30	77101-1033
75	5	2,5	1	3	PSA 213 75/5 2,5 1-WA 20X10 60-30	77101-1133
80	5	2,5	1	3	PSA 213 80/5 2,5 1-WA 20X10 60-30	77101-1233
100	5	2,5	1	3	PSA 213 100/5 2,5 1-WA 20X10 60-30	77101-1333
125	5	5	1	3	PSA 213 125/5 5,0 1-WA 20X10 60-30	77101-1443
150	5	5	1	3	PSA 213 150/5 5,0 1-WA 20X10 60-30	77101-1543
200	5	5	1	3	PSA 213 200/5 5,0 1-WA 20X10 60-30	77101-1643
200	5	10	1	3	PSA 213 200/5 10 1-WA 20X10 60-30	77101-1663
250	5	5	1	3	PSA 213 250/5 5,0 1-WA 20X10 60-30	77101-1743
250	5	10	1	3	PSA 213 250/5 10 1-WA 20X10 60-30	77101-1763
300	5	10	1	3	PSA 213 300/5 10 1-WA 20X10 60-30	77101-1863
50	1	1,5	1	3	PSA 213 50/1 1,5 1-WA 20X10 60-30	77101-5923
60	1	1,5	1	3	PSA 213 60/1 1,5 1-WA 20X10 60-30	77101-6023
75	1	2,5	1	3	PSA 213 75/1 2,5 1-WA 20X10 60-30	77101-6133
100	1	2,5	1	3	PSA 213 100/1 2,5 1-WA 20X10 60-30	77101-6333
125	1	5	1	3	PSA 213 125/1 5,0 1-WA 20X10 60-30	77101-6443
150	1	5	1	3	PSA 213 150/1 5,0 1-WA 20X10 60-30	77101-6543
200	1	10	1	3	PSA 213 200/1 10 1-WA 20X10 60-30	77101-6663
250	1	10	1	3	PSA 213 250/1 10 1-WA 20X10 60-30	77101-6763
300	1	5	1	3	PSA 213 300/1 5,0 1-WA 20X10 60-30	77101-6843
300	1	10	1	3	PSA 213 300/1 10 1-WA 20X10 60-30	77101-6863



77102-1342

PSA 215 window-type current transformer

Features:

- Primary busbar 20 x 10 mm, accuracy class 0.5

Primary current	Secondary current	VA	Accuracy class	PU	Product designation	Order no.
100	5	5	0,5	3	PSA 215 100/5 5,0 0,5-WA 20X10 60-55	77102-1342
125	5	5	0,5	3	PSA 215 125/5 5 0,5-WA 20x10 60-55	77102-1442
150	5	5	0,5	3	PSA 215 150/5 5 0,5-WA 20X10 60-55	77102-1542
100	1	5	0,5	3	PSA 215 100/1 5 0,5-WA 20X10 60-55	77102-6342
125	1	5	0,5	3	PSA 215 125/1 5 0,5-WA 20X10 60-55	77102-6442
150	1	5	0,5	3	PSA 215 150/1 5 0,5-WA 20X10 60-55	77102-6542

Window-type current transformers

► Technical data, page 323



77102-0813

PSA 215 window-type current transformer

Features:

- Primary busbar 20 x 10 mm, accuracy class 1

Primary current	Secondary current	VA	Accuracy class	PU	Product designation	Order no.
40	5	1	1	3	PSA 215 40/5 1,0 1-WA 20X10 60-55	77102-0813
50	5	2,5	1	3	PSA 215 50/5 2,5 1-WA 20X10 60-55	77102-0933
75	5	5	1	3	PSA 215 75/5 5,0 1-WA 20X10 60-55	77102-1143
80	5	5	1	3	PSA 215 80/5 5,0 1-WA 20X10 60-55	77102-1243
100	5	10	1	3	PSA 215 100/5 10 1-WA 20X10 60-55	77102-1363
125	5	10	1	3	PSA 215 125/5 10 1-WA 20X10 60-55	77102-1463
150	5	10	1	3	PSA 215 150/5 10 1-WA 20X10 60-55	77102-1563
50	1	2,5	1	3	PSA 215 50/1 2,5 1-WA 20X10 60-55	77102-5933
75	1	5	1	3	PSA 215 75/1 5,0 1-WA 20X10 60-55	77102-6143
80	1	5	1	3	PSA 215 80/1 5,0 1-WA 20X10 60-55	77102-6243
100	1	10	1	3	PSA 215 100/1 10 1-WA 20X10 60-55	77102-6363
125	1	10	1	3	PSA 215 125/1 10 1-WA 20X10 60-55	77102-6463
150	1	10	1	3	PSA 215 150/1 10 1-WA 20X10 60-55	77102-6563



77105-1532

PSA 113 window-type current transformer

Features:

- Primary busbar 30 x 10 mm, accuracy class 0.5

Primary current	Secondary current	VA	Accuracy class	PU	Product designation	Order no.
150	5	2,5	0,5	3	PSA 113 150/5 2,5 0,5-WA 30X10 50-30	77105-1532
200	5	2,5	0,5	3	PSA 113 200/5 2,5 0,5-WA 30X10 50-30	77105-1632
250	5	2,5	0,5	3	PSA 113 250/5 2,5 0,5-WA 30X10 50-30	77105-1732
300	5	2,5	0,5	3	PSA 113 300/5 2,5 0,5-WA 30X10 50-30	77105-1832
400	5	2,5	0,5	3	PSA 113 400/5 2,5 0,5-WA 30X10 50-30	77105-1932
500	5	2,5	0,5	3	PSA 113 500/5 2,5 0,5-WA 30x10 50-30	77105-2032
600	5	2,5	0,5	3	PSA 113 600/5 2,5 0,5-WA 30X10 50-30	77105-2132
150	1	2,5	0,5	3	PSA 113 150/1 2,5 0,5-WA 30X10 50-30	77105-6532
200	1	2,5	0,5	3	PSA 113 200/1 2,5 0,5-WA 30X10 50-30	77105-6632
250	1	2,5	0,5	3	PSA 113 250/1 2,5 0,5-WA 30X10 50-30	77105-6732
300	1	2,5	0,5	3	PSA 113 300/1 2,5 0,5-WA 30X10 50-30	77105-6832
400	1	2,5	0,5	3	PSA 113 400/1 2,5 0,5-WA 30X10 50-30	77105-6932
500	1	2,5	0,5	3	PSA 113 500/1 2,5 0,5-WA 30X10 50-30	77105-7032



77105-2143

PSA 113 window-type current transformer

Features:

- Primary busbar 30 x 10 mm, accuracy class 1

Primary current	Secondary current	VA	Accuracy class	PU	Product designation	Order no.
600	1	2,5	0,5	3	PSA 113 600/1 2,5 0,5-WA 30X10 50-30	77105-7132
60	5	1	1	3	PSA 113 60/5 1,0 1-WA 30X10 50-30	77105-1013
75	5	1,5	1	3	PSA 113 75/5 1,5 1-WA 30X10 50-30	77105-1123
200	5	5	1	3	PSA 113 200/5 5,0 1-WA 30X10 50-30	77105-1643
250	5	5	1	3	PSA 113 250/5 5,0 1-WA 30X10 50-30	77105-1743
100	5	2,5	1	3	PSA 113 100/5 2,5 1-WA 30X10 50-30	77105-1333
125	5	2,5	1	3	PSA 113 125/5 2,5 1-WA 30X10 50-30	77105-1433
150	5	2,5	1	3	PSA 113 150/5 2,5 1-WA 30X10 50-30	77105-1533
200	5	2,5	1	3	PSA 113 200/5 2,5 1-WA 30X10 50-30	77105-1633
250	5	2,5	1	3	PSA 113 250/5 2,5 1-WA 30X10 50-30	77105-1733
300	5	2,5	1	3	PSA 113 300/5 2,5 1-WA 30X10 50-30	77105-1833
300	5	5	1	3	PSA 113 300/5 5,0 1-WA 30X10 50-30	77105-1843
400	5	2,5	1	3	PSA 113 400/5 2,5 1-WA 30X10 50-30	77105-1933
400	5	5	1	3	PSA 113 400/5 5,0 1-WA 30X10 50-30	77105-1943
500	5	5	1	3	PSA 113 500/5 5,0 1-WA 30X10 50-30	77105-2043
500	5	7,5	1	3	PSA 113 500/5 7,5 1-WA 30X10 50-30	77105-2053
600	5	5	1	3	PSA 113 600/5 5,0 1-WA 30X10 50-30	77105-2143
600	5	7,5	1	3	PSA 113 600/5 7,5 1-WA 30X10 50-30	77105-2153

Window-type current transformers

► Technical data, page 323



77105-2143

PSA 113 window-type current transformer

Features:

- Primary busbar 30 x 10 mm, accuracy class 1

Primary current	Secondary current	VA	Accuracy class	PU	Product designation	Order no.
60	1	1	1	3	PSA 113 60/1 1,0 1-WA 30X10 50-30	77105-6013
75	1	1,5	1	3	PSA 113 75/1 1,5 1-WA 30X10 50-30	77105-6123
80	1	2,5	1	3	PSA 113 80/1 2,5 1-WA 30X10 50-30	77105-6233
100	1	2,5	1	3	PSA 113 100/1 2,5 1-WA 30X10 50-30	77105-6333
125	1	2,5	1	3	PSA 113 125/1 2,5 1-WA 30X10 50-30	77105-6433
150	1	2,5	1	3	PSA 113 150/1 2,5 1-WA 30X10 50-30	77105-6533
200	1	2,5	1	3	PSA 113 200/1 2,5 1-WA 30X10 50-30	77105-6633
200	1	5	1	3	PSA 113 200/1 5,0 1-WA 30X10 50-30	77105-6643
250	1	2,5	1	3	PSA 113 250/1 2,5 1-WA 30X10 50-30	77105-6733
250	1	5	1	3	PSA 113 250/1 5,0 1-WA 30X10 50-30	77105-6743
300	1	2,5	1	3	PSA 113 300/1 2,5 1-WA 30X10 50-30	77105-6833
300	1	5	1	3	PSA 113 300/1 5,0 1-WA 30X10 50-30	77105-6843
400	1	2,5	1	3	PSA 113 400/1 2,5 1-WA 30X10 50-30	77105-6933
400	1	5	1	3	PSA 113 400/1 5,0 1-WA 30X10 50-30	77105-6943
500	1	5	1	3	PSA 113 500/1 5,0 1-WA 30X10 50-30	77105-7043
600	1	2,5	0,5	3	PSA 113 600/1 2,5 0,5-WA 30X10 50-30	77105-7132
600	1	5	1	3	PSA 113 600/1 5,0 1-WA 30X10 50-30	77105-7143
600	1	7,5	1	3	PSA 113 600/1 7,5 1-WA 30X10 50-30	77105-7153



77107-1332

PSA 115 window-type current transformer

Features:

- Primary busbar 30 x 10 mm, accuracy class 0.5

Primary current	Secondary current	VA	Accuracy class	PU	Product designation	Order no.
100	5	2,5	0,5	3	PSA 115 100/5 2,5 0,5-WA 30x10 50-50	77107-1332
125	5	2,5	0,5	3	PSA 115 125/5 2,5 0,5-WA 30X10 50-50	77107-1432
150	5	5	0,5	3	PSA 115 150/5 5,0 0,5-WA 30X10 50-50	77107-1542
200	5	5	0,5	3	PSA 115 200/5 5,0 0,5-WA 30X10 50-50	77107-1642
250	5	5	0,5	3	PSA 115 250/5 5,0 0,5-WA 30X10 50-50	77107-1742
300	5	5	0,5	3	PSA 115 300/5 5,0 0,5-WA 30X10 50-50	77107-1842
400	5	10	0,5	3	PSA 115 400/5 10 0,5-WA 30x10 50-50	77107-1962
500	5	10	0,5	3	PSA 115 500/5 10 0,5-WA 30X10 50-50	77107-2062
600	5	10	0,5	3	PSA 115 600/5 10 0,5-WA 30X10 50-50	77107-2162
100	1	2,5	0,5	3	PSA 115 100/1 2,5 0,5-WA 30X10 50-50	77107-6332
125	1	2,5	0,5	3	PSA 115 125/1 2,5 0,5-WA 30X10 50-50	77107-6432
150	1	5	0,5	3	PSA 115 150/1 5,0 0,5-WA 30X10 50-50	77107-6542
200	1	5	0,5	3	PSA 115 200/1 5,0 0,5-WA 30X10 50-50	77107-6642
250	1	5	0,5	3	PSA 115 250/1 5,0 0,5-WA 30X10 50-50	77107-6742
300	1	5	0,5	3	PSA 115 300/1 5,0 0,5-WA 30X10 50-50	77107-6842
400	1	10	0,5	3	PSA 115 400/1 10 0,5-WA 30X10 50-50	77107-6962
500	1	10	0,5	3	PSA 115 500/1 10 0,5-WA 30X10 50-50	77107-7062
600	1	10	0,5	3	PSA 115 600/1 10 0,5-WA 30X10 50-50	77107-7162



77107-2163

PSA 115 window-type current transformer

Features:

- Primary busbar 30 x 10 mm, accuracy class 1

Primary current	Secondary current	VA	Accuracy class	PU	Product designation	Order no.
50	5	1,5	1	3	PSA 115 50/5 1,5 1-WA 30X10 50-50	77107-0923
60	5	1,5	1	3	PSA 115 60/5 1,5 1-WA 30X10 50-50	77107-1023
75	5	2,5	1	3	PSA 115 75/5 2,5 1-WA 30X10 50-50	77107-1133
100	5	5	1	3	PSA 115 100/5 5,0 1-WA 30X10 50-50	77107-1343
125	5	5	1	3	PSA 115 125/5 5,0 1-WA 30X10 50-50	77107-1443
150	5	5	1	3	PSA 115 150/5 5,0 1-WA 30X10 50-50	77107-1543
200	5	5	1	3	PSA 115 200/5 5,0 1-WA 30X10 50-50	77107-1643
200	5	10	1	3	PSA 115 200/5 10 1-WA 30X10 50-50	77107-1663
250	5	10	1	3	PSA 115 250/5 10 1-WA 30X10 50-50	77107-1763

Window-type current transformers

► Technical data, page 323



77107-2163

PSA 115 window-type current transformer

Features:

- Primary busbar 30 x 10 mm, accuracy class 1

Primary current	Secondary current	VA	Accuracy class	PU	Product designation	Order no.
300	5	10	1	3	PSA 115 300/5 10 1-WA 30X10 50-50	77107-1863
400	5	10	1	3	PSA 115 400/5 10 1-WA 30X10 50-50	77107-1963
400	5	15	1	3	PSA 115 400/5 15 1-WA 30X10 50-50	77107-1973
500	5	10	1	3	PSA 115 500/5 10 1-WA 30X10 50-50	77107-2063
500	5	15	1	3	PSA 115 500/5 15 1-WA 30x10 50-50	77107-2073
600	5	10	1	3	PSA 115 600/5 10 1-WA 30X10 50-50	77107-2163
600	5	15	1	3	PSA 115 600/5 15 1-WA 30X10 50-50	77107-2173
50	1	1,5	1	3	PSA 115 50/1 1,5 1-WA 30X10 50-50	77107-5923
60	1	1,5	1	3	PSA 115 60/1 1,5 1-WA 30X10 50-50	77107-6023
75	1	2,5	1	3	PSA 115 75/1 2,5 1-WA 30X10 50-50	77107-6133
100	1	5	1	3	PSA 115 100/1 5,0 1-WA 30X10 50-50	77107-6343
125	1	5	1	3	PSA 115 125/1 5,0 1-WA 30X10 50-50	77107-6443
150	1	5	1	3	PSA 115 150/1 5,0 1-WA 30X10 50-50	77107-6543
200	1	5	1	3	PSA 115 200/1 5 1-WA 30X10 50-50	77107-6643
200	1	10	1	3	PSA 115 200/1 10 1-WA 30X10 50-50	77107-6663
250	1	10	1	3	PSA 115 250/1 10 1-WA 30X10 50-50	77107-6763
300	1	10	1	3	PSA 115 300/1 10 1-WA 30X10 50-50	77107-6863
400	1	10	1	3	PSA 115 400/1 10 1-WA 30X10 50-50	77107-6963
400	1	15	1	3	PSA 115 400/1 15 1-WA 30X10 50-50	77107-6973
500	1	15	1	3	PSA 115 500/1 15 1-WA 30X10 50-50	77107-7073
500	1	10	1	3	PSA 115 500/1 10 1-WA 30X10 50-50	77107-7063
600	1	10	1	3	PSA 115 600/1 10 1-WA 30X10 50-50	77107-7163
600	1	15	1	3	PSA 115 600/1 15 1-WA 30X10 50-50	77107-7173



77106-1322

PSA 313 window-type current transformer

Features:

- Primary busbar 30 x 10 mm, accuracy class 0.5

Primary current	Secondary current	VA	Accuracy class	PU	Product designation	Order no.
100	5	1,5	0,5	3	PSA 313 100/5 1,5 0,5-WA 30X10 60-30	77106-1322
150	5	2,5	0,5	3	PSA 313 150/5 2,5 0,5-WA 30X10 60-30	77106-1532
200	5	5	0,5	3	PSA 313 200/5 5,0 0,5-WA 30X10 60-30	77106-1642
250	5	5	0,5	3	PSA 313 250/5 5,0 0,5-WA 30X10 60-30	77106-1742
300	5	5	0,5	3	PSA 313 300/5 5,0 0,5-WA 30X10 60-30	77106-1842
300	5	10	0,5	3	PSA 313 300/5 10 0,5-WA 30X10 60-30	77106-1862
400	5	5	0,5	3	PSA 313 400/5 5,0 0,5-WA 30X10 60-30	77106-1942
400	5	10	0,5	3	PSA 313 400/5 10 0,5-WA 30X10 60-30	77106-1962
500	5	5	0,5	3	PSA 313 500/5 5,0 0,5-WA 30X10 60-30	77106-2042
500	5	10	0,5	3	PSA 313 500/5 10 0,5-WA 30X10 60-30	77106-2062
600	5	5	0,5	3	PSA 313 600/5 5,0 0,5-WA 30X10 60-30	77106-2142
600	5	10	0,5	3	PSA 313 600/5 10 0,5-WA 30X10 60-30	77106-2162
100	1	1,5	0,5	3	PSA 313 100/1 1,5 0,5-WA 30X10 60-30	77106-6322
150	1	2,5	0,5	3	PSA 313 150/1 2,5 0,5-WA 30X10 60-30	77106-6532
200	1	5	0,5	3	PSA 313 200/1 5,0 0,5-WA 30X10 60-30	77106-6642
250	1	5	0,5	3	PSA 313 250/1 5,0 0,5-WA 30X10 60-30	77106-6742
300	1	5	0,5	3	PSA 313 300/1 5,0 0,5-WA 30X10 60-30	77106-6842
400	1	5	0,5	3	PSA 313 400/1 5,0 0,5-WA 30X10 60-30	77106-6942
500	1	5	0,5	3	PSA 313 500/1 5,0 0,5-WA 30X10 60-30	77106-7042
600	1	5	0,5	3	PSA 313 600/1 5,0 0,5-WA 30X10 60-30	77106-7142

Window-type current transformers

► Technical data, page 323



77106-1763

PSA 313 window-type current transformer

Features:

- Primary busbar 30 x 10 mm, accuracy class 1

Primary current	Secondary current	VA	Accuracy class	PU	Product designation	Order no.
100	5	2,5	1	3	PSA 313 100/5 2,5 1-WA 30X10 60-30	77106-1333
125	5	2,5	1	3	PSA 313 150/5 2,5 1-WA 30X10 60-30	77106-1533
150	5	5	1	3	PSA 313 150/5 5,0 1-WA 30X10 60-30	77106-1543
200	5	5	1	3	PSA 313 200/5 5,0 1-WA 30X10 60-30	77106-1643
250	5	5	1	3	PSA 313 250/5 5,0 1-WA 30X10 60-30	77106-1743
250	5	10	1	3	PSA 313 250/5 10 1-WA 30X10 60-30	77106-1763
300	5	5	1	3	PSA 313 300/5 5,0 1-WA 30X10 60-30	77106-1843
300	5	10	1	3	PSA 313 300/5 10 1-WA 30X10 60-30	77106-1863
400	5	5	1	3	PSA 313 400/5 5,0 1-WA 30X10 60-30	77106-1943
400	5	10	1	3	PSA 313 400/5 10 1-WA 30X10 60-30	77106-1963
500	5	5	1	3	PSA 313 500/5 5,0 1-WA 30X10 60-30	77106-2043
500	5	10	1	3	PSA 313 500/5 10 1-WA 30X10 60-30	77106-2063
600	5	5	1	3	PSA 313 600/5 5,0 1-WA 30X10 60-30	77106-2143
600	5	10	1	3	PSA 313 600/5 10 1-WA 30X10 60-30	77106-2163
100	1	2,5	1	3	PSA 313 100/1 2,5 1-WA 30X10 60-30	77106-6333
150	1	2,5	1	3	PSA 313 150/1 2,5 1-WA 30X10 60-30	77106-6533
200	1	5	1	3	PSA 313 200/1 5,0 1-WA 30X10 60-30	77106-6643
250	1	5	1	3	PSA 313 250/1 5,0 1-WA 30X10 60-30	77106-6743
250	1	10	1	3	PSA 313 250/1 10 1-WA 30X10 60-30	77106-6763
300	1	5	1	3	PSA 313 300/1 5,0 1-WA 30X10 60-30	77106-6843
300	1	10	1	3	PSA 313 300/1 10 1-WA 30X10 60-30	77106-6863
400	1	5	1	3	PSA 313 400/1 5,0 1-WA 30X10 60-30	77106-6943
400	1	10	1	3	PSA 313 400/1 10 1-WA 30X10 60-30	77106-6963
500	1	5	1	3	PSA 313 500/1 5,0 1-WA 30X10 60-30	77106-7043
500	1	10	1	3	PSA 313 500/1 10 1-WA 30X10 60-30	77106-7063
600	1	5	1	3	PSA 313 600/1 5,0 1-WA 30X10 60-30	77106-7143
600	1	10	1	3	PSA 313 600/1 10 1-WA 30X10 60-30	77106-7163



77108-1132

PSA 315 window-type current transformer

Features:

- Primary busbar 30 x 10 mm, accuracy class 0.5

Primary current	Secondary current	VA	Accuracy class	PU	Product designation	Order no.
75	5	2,5	0,5	3	PSA 315 75/5 2,5 0,5-WA 30X10 60-55	77108-1132
100	5	2,5	0,5	3	PSA 315 100/5 2,5 0,5-WA 30X10 60-55	77108-1332
150	5	5	0,5	3	PSA 315 150/5 5,0 0,5-WA 30X10 60-55	77108-1542
200	5	10	0,5	3	PSA 315 200/5 10 0,5-WA 30X10 60-55	77108-1662
250	5	10	0,5	3	PSA 315 250/5 10 0,5-WA 30X10 60-55	77108-1762
300	5	15	0,5	3	PSA 315 300/5 15 0,5-WA 30X10 60-55	77108-1872
400	5	15	0,5	3	PSA 315 400/5 15 0,5-WA 30X10 60-55	77108-1972
100	1	2,5	0,5	3	PSA 315 100/1 2,5 0,5-WA 30X10 60-55	77108-6332
150	1	5	0,5	3	PSA 315 150/1 5,0 0,5-WA 30X10 60-55	77108-6542
200	1	10	0,5	3	PSA 315 200/1 10 0,5-WA 30X10 60-55	77108-6662
250	1	10	0,5	3	PSA 315 250/1 10 0,5-WA 30X10 60-55	77108-6762



77108-1343

PSA 315 window-type current transformer

Features:

- Primary busbar 30 x 10 mm, accuracy class 1

Primary current	Secondary current	VA	Accuracy class	PU	Product designation	Order no.
75	5	2,5	1	3	PSA 315 75/5 2,5 1-WA 30X10 60-55	77108-1133
100	5	5	1	3	PSA 315 100/5 5,0 1-WA 30X10 60-55	77108-1343
150	5	5	1	3	PSA 315 150/5 5,0 1-WA 30X10 60-55	77108-1543
150	5	10	1	3	PSA 315 150/5 10 1-WA 30X10 60-55	77108-1563
200	5	10	1	3	PSA 315 200/5 10 1-WA 30X10 60-55	77108-1663
200	5	15	1	3	PSA 315 200/5 15 1-WA 30X10 60-55	77108-1673
250	5	10	1	3	PSA 315 250/5 10 1-WA 30X10 60-55	77108-1763

Window-type current transformers

► Technical data, page 324



77108-1343

PSA 315 window-type current transformer

Features:

- Primary busbar 30 x 10 mm, accuracy class 1

Primary current	Secondary current	VA	Accuracy class	PU	Product designation	Order no.
300	5	15	1	3	PSA 315 300/5 15 1-WA 30X10 60-55	77108-1873
400	5	15	1	3	PSA 315 400/5 15 1-WA 30X10 60-55	77108-1973
75	1	2,5	1	3	PSA 315 75/1 2,5 1-WA 30X10 60-55	77108-6133
100	1	5	1	3	PSA 315 100/1 5,0 1-WA 30X10 60-55	77108-6343
150	1	5	1	3	PSA 315 150/1 5,0 1-WA 30X10 60-55	77108-6543
200	1	10	1	3	PSA 315 200/1 10 1-WA 30X10 60-55	77108-6663
200	1	15	1	3	PSA 315 200/1 15 1-WA30x10 60-55	77105-6673
200	1	15	1	3	PSA 315 200/1 15 1-WA 30X10 60-55	77108-6673
250	1	10	1	3	PSA 315 250/1 10 1-WA 30-10 60-55	77105-6763



77113-1632

PSA 413 window-type current transformer

Features:

- Primary busbar 40 x 12 mm, accuracy class 0.5

Primary current	Secondary current	VA	Accuracy class	PU	Product designation	Order no.
200	5	2,5	0,5	3	PSA 413 200/5 2,5 0,5-WA 40X12 60-30	77113-1632
250	5	2,5	0,5	3	PSA 413 250/5 2,5 0,5-WA 40X12 60-30	77113-1732
250	5	5	0,5	3	PSA 413 250/5 5,0 0,5-WA 40X12 60-30	77113-1742
300	5	5	0,5	3	PSA 413 300/5 5,0 0,5-WA 40X12 60-30	77113-1842
400	5	2,5	0,5	3	PSA 413 400/5 2,5 0,5-WA 40X12 60-30	77113-1932
400	5	5	0,5	3	PSA 413 400/5 5,0 0,5-WA 40X12 60-30	77113-1942
500	5	5	0,5	3	PSA 413 500/5 5,0 0,5-WA 40X12 60-30	77113-2042
600	5	5	0,5	3	PSA 413 600/5 5,0 0,5-WA 40X12 60-30	77113-2142
750	5	5	0,5	3	PSA 413 750/5 5,0 0,5-WA 40X12 60-30	77113-2242
800	5	5	0,5	3	PSA 413 800/5 5,0 0,5-WA 40X12 60-30	77113-2342
200	1	2,5	0,5	3	PSA 413 200/1 2,5 0,5-WA 40X12 60-30	77113-6632
250	1	2,5	0,5	3	PSA 413 250/1 2,5 0,5-WA 40X12 60-30	77113-6732
250	1	5	0,5	3	PSA 413 250/1 5,0 0,5-WA 40X12 60-30	77113-6742
300	1	5	0,5	3	PSA 413 300/1 5,0 0,5-WA 40X12 60-30	77113-6842
400	1	5	0,5	3	PSA 413 400/1 5,0 0,5-WA 40X12 60-30	77113-6942
500	1	5	0,5	3	PSA 413 500/1 5,0 0,5-WA 40X12 60-30	77113-7042
600	1	5	0,5	3	PSA 413 600/1 5,0 0,5-WA 40X12 60-30	77113-7142
800	1	5	0,5	3	PSA 413 800/1 5,0 0,5-WA 40X12 60-30	77113-7342



77113-1633

PSA 413 window-type current transformer

Features:

- Primary busbar 40 x 12 mm, accuracy class 1

Primary current	Secondary current	VA	Accuracy class	PU	Product designation	Order no.
150	5	2,5	1	3	PSA 413 150/5 2,5 1-WA 40X12 60-30	77113-1533
200	5	2,5	1	3	PSA 413 200/5 2,5 1-WA 40X12 60-30	77113-1633
200	5	5	1	3	PSA 413 200/5 5,0 1-WA 40X12 60-30	77113-1643
250	5	5	1	3	PSA 413 250/5 2,5 1-WA 40X12 60-30	77113-1733
250	5	5	1	3	PSA 413 250/5 5,0 1-WA 40X12 60-30	77113-1743
300	5	5	1	3	PSA 413 300/5 5,0 1-WA 40X12 60-30	77113-1843
300	5	7,5	1	3	PSA 413 300/5 7,5 1-WA 40X12 60-30	77113-1853
400	5	5	1	3	PSA 413 400/5 5,0 1-WA 40X12 60-30	77113-1943
400	5	10	1	3	PSA 413 400/5 10 1-WA 40X12 60-30	77113-1963
500	5	5	1	3	PSA 413 500/5 5,0 1-WA 40X12 60-30	77113-2043
500	5	10	1	3	PSA 413 500/5 10 1-WA 40X12 60-30	77113-2063
600	5	5	1	3	PSA 413 600/5 5,0 1-WA 40X12 60-30	77113-2143
600	5	10	1	3	PSA 413 600/5 10 1-WA 40X12 60-30	77113-2163
750	5	5	1	3	PSA 413 750/5 5,0 1-WA 40X12 60-30	77113-2243
750	5	10	1	3	PSA 413 750/5 10 1-WA 40X12 60-30	77113-2263
800	5	5	1	3	PSA 413 800/5 5,0 1-WA 40X12 60-30	77113-2343
800	5	10	1	3	PSA 413 800/5 10 1-WA 40X12 60-30	77113-2363
150	1	2,5	1	3	PSA 413 150/1 2,5 1-WA 40X12 60-30	77113-6533

Window-type current transformers

► Technical data, page 324



77113-1633

PSA 413 window-type current transformer

Features:

- Primary busbar 40 x 12 mm, accuracy class 1

Primary current	Secondary current	VA	Accuracy class	PU	Product designation	Order no.
200	1	2,5	1	3	PSA 413 200/1 2,5 1-WA 40X12 60-30	77113-6633
200	1	4	1	3	PSA 413 200/1 5,0 1-WA 40X12 60-30	77113-6643
250	1	2,5	1	3	PSA 413 250/1 2,5 1-WA 40X12 60-30	77113-6733
250	1	5	1	3	PSA 413 250/1 5,0 1-WA 40X12 60-30	77113-6743
300	1	5	1	3	PSA 413 300/1 5,0 1-WA 40X12 60-30	77113-6843
300	1	7,5	1	3	PSA 413 300/1 7,5 1-WA 40X12 60-30	77113-6853
400	1	5	1	3	PSA 413 400/1 5,0 1-WA 40X12 60-30	77113-6943
400	1	10	1	3	PSA 413 400/1 10 1-WA 40X12 60-30	77113-6963
500	1	5	1	3	PSA 413 500/1 5,0 1-WA 40X12 60-30	77113-7043
500	1	10	1	3	PSA 413 500/1 10 1-WA 40X12 60-30	77113-7063
600	1	5	1	3	PSA 413 600/1 5,0 1-WA 40X12 60-30	77113-7143
600	1	10	1	3	PSA 413 600/1 10 1-WA 40X12 60-30	77113-7163
750	1	10	1	3	PSA 413 750/1 10 1-WA 40X12 60-30	77113-7263
800	1	10	1	3	PSA 413 800/1 10 1-WA 40X12 60-30	77113-7363



77111-2163

PSA 415 window-type current transformer

Features:

- Primary busbar 40 x 12 mm, accuracy class 0.5

Primary current	Secondary current	VA	Accuracy class	PU	Product designation	Order no.
600	5	10	0,5	3	PSA 415 600/5 10 0,5-WA 40X12 60-55	77111-2162
800	5	10	0,5	3	PSA 415 800/5 10 0,5-WA 40X12 60-55	77111-2362



77111-1543

PSA 415 window-type current transformer

Features:

- Primary busbar 40 x 12 mm, accuracy class 1

Primary current	Secondary current	VA	Accuracy class	PU	Product designation	Order no.
150	5	5	1	3	PSA 415 150/5 5,0 1-WA 40X12 60-55	77111-1543
200	5	10	1	3	PSA 415 200/5 10 1-WA 40X12 60-55	77111-1663
250	5	10	1	3	PSA 415 250/5 10 1-WA 40X12 60-55	77111-1763
300	5	10	1	3	PSA 415 300/5 10 1-WA 40X12 60-55	77111-1863
150	1	5	1	3	PSA 415 150/1 5 1-WA 40X12 60-55	77111-6543
200	1	10	1	3	PSA 415 200/1 10 1-WA 40X12 60-55	77111-6663
250	1	10	1	3	PSA 415 250/1 10 1-WA 40X12 60-55	77111-6763
300	1	10	1	3	PSA 415 300/1 10 1-WA 40X12 60-55	77111-6863



77115-1742

PSA 513 window-type current transformer

Features:

- Primary busbar 50 x 12 mm, accuracy class 0.5

Primary current	Secondary current	VA	Accuracy class	PU	Product designation	Order no.
250	5	5	0,5	3	PSA 513 250/5 5,0 0,5-WA 50X12 85-30	77115-1742
300	5	5	0,5	3	PSA 513 300/5 5,0 0,5-WA 50X12 85-30	77115-1842
400	5	5	0,5	3	PSA 513 400/5 5,0 0,5-WA 50X12 85-30	77115-1942
500	5	5	0,5	3	PSA 513 500/5 5,0 0,5-WA 50X12 85-30	77115-2042
600	5	5	0,5	3	PSA 513 600/5 5,0 0,5-WA 50X12 85-30	77115-2142
600	5	10	0,5	3	PSA 513 600/5 10,0 0,5-WA 50X12 85-30	77115-2162
750	5	5	0,5	3	PSA 513 750/5 5,0 0,5-WA 50X12 85-30	77115-2242
750	5	10	0,5	3	PSA 513 750/5 10,0 0,5-WA 50X12 85-30	77115-2262
800	5	5	0,5	3	PSA 513 800/5 5,0 0,5-WA 50X12 85-30	77115-2342
800	5	10	0,5	3	PSA 513 800/5 10,0 0,5-WA 50X12 85-30	77115-2362
1000	5	5	0,5	3	PSA 513 1000/5 5,0 0,5-WA 50X12 85-30	77115-2442
1000	5	10	0,5	3	PSA 513 1000/5 10,0 0,5-WA 50X12 85-30	77115-2462

Window-type current transformers

► Technical data, page 324



77115-1742

PSA 513 window-type current transformer

Features:

- Primary busbar 50 x 12 mm, accuracy class 0.5

Primary current	Secondary current	VA	Accuracy class	PU	Product designation	Order no.
1000	5	15	0,5	3	PSA 513 1000/5 15 0,5-WA 50X12 85-30	77115-2472
1200	5	10	0,5	3	PSA 513 1200/5 10 0,5-WA 50X12 85-30	77115-2562
1200	5	15	0,5	3	PSA 513 1200/5 15 0,5-WA 50X12 85-30	77115-2572
1250	5	10	0,5	3	PSA 513 1250/5 10 0,5-WA 50X12 85-30	77115-2662
1250	5	15	0,5	3	PSA 513 1250/5 15 0,5-WA 50X12 85-30	77115-2672
250	1	5	0,5	3	PSA 513 250/1 5,0 0,5-WA 50X12 85-30	77115-6742
300	1	5	0,5	3	PSA 513 300/1 5,0 0,5-WA 50X12 85-30	77115-6842
400	1	5	0,5	3	PSA 513 400/1 5,0 0,5-WA 50X12 85-30	77115-6942
500	1	5	0,5	3	PSA 513 500/1 5,0 0,5-WA 50X12 85-30	77115-7042
600	1	5	0,5	3	PSA 513 600/1 5 0,5-WA 50X12 85-30	77115-7142
750	1	5	0,5	3	PSA 513 750/1 5,0 0,5-WA 50X12 85-30	77115-7242
800	1	10	0,5	3	PSA 513 800/1 10 0,5-WA 50X12 85-30	77115-7362
1000	1	10	0,5	3	PSA 513 1000/1 10 0,5-WA 50X12 85-30	77115-7462
1200	1	10	0,5	3	PSA 513 1200/1 10 0,5-WA 50X12 85-30	77115-7562
1250	1	10	0,5	3	PSA 513 1250/1 10 0,5-WA 50X12 85-30	77115-7662



77115-2663

PSA 513 window-type current transformer

Features:

- Primary busbar 50 x 12 mm, accuracy class 1

Primary current	Secondary current	VA	Accuracy class	PU	Product designation	Order no.
200	5	5	1	3	PSA 513 200/5 5,0 1-WA 50X12 85-30	77115-1643
250	5	5	1	3	PSA 513 250/5 5,0 1-WA 50X12 85-30	77115-1743
250	5	10	1	3	PSA 513 250/5 10 1-WA 50X12 85-30	77115-1763
300	5	5	1	3	PSA 513 300/5 5,0 1-WA 50X12 85-30	77115-1843
300	5	10	1	3	PSA 513 300/5 10 1-WA 50X12 85-30	77115-1863
300	1	5	1	3	PSA 513 300/1 5,0 1-WA 50X12 85-30	77115-6843
400	5	5	1	3	PSA 513 400/5 5,0 1-WA 50X12 85-30	77115-1943
400	5	10	1	3	PSA 513 400/5 10 1-WA 50X12 85-30	77115-1963
400	5	15	1	3	PSA 513 400/5 15 1-WA 50X12 85-30	77115-1973
500	5	5	1	3	PSA 513 500/5 5,0 1-WA 50X12 85-30	77115-2043
500	5	10	1	3	PSA 513 500/5 10 1-WA 50X12 85-30	77115-2063
500	5	15	1	3	PSA 513 500/5 15 1-WA 50X12 85-30	77115-2073
600	5	5	1	3	PSA 513 600/5 5,0 1-WA 50X12 85-30	77115-2143
600	5	10	1	3	PSA 513 600/5 10 1-WA 50X12 85-30	77115-2163
600	5	15	1	3	PSA 513 600/5 15 1-WA 50X12 85-30	77115-2173
750	5	5	1	3	PSA 513 750/5 5,0 1-WA 50X12 85-30	77115-2243
750	5	10	1	3	PSA 513 750/5 10 1-WA 50X12 85-30	77115-2263
750	5	15	1	3	PSA 513 750/5 15 1-WA 50X12 85-30	77115-2273
800	5	5	1	3	PSA 513 800/5 5,0 1-WA 50X12 85-30	77115-2343
800	5	10	1	3	PSA 513 800/5 10 1-WA 50X12 85-30	77115-2363
800	5	15	1	3	PSA 513 800/5 15 1-WA 50X12 85-30	77115-2373
1000	5	5	1	3	PSA 513 1000/5 5,0 1-WA 50X12 85-30	77115-2443
1000	5	10	1	3	PSA 513 1000/5 10 1-WA 50X12 85-30	77115-2463
1000	5	15	1	3	PSA 513 1000/5 15 1-WA 50X12 85-30	77115-2473
1200	5	5	1	3	PSA 513 1200/5 5,0 1-WA 50X12 85-30	77115-2543
1200	5	10	1	3	PSA 513 1200/5 10 1-WA 50X12 85-30	77115-2563
1200	5	15	1	3	PSA 513 1200/5 15 1-WA 50X12 85-30	77115-2573
1250	5	5	1	3	PSA 513 1250/5 5,0 1-WA 50X12 85-30	77115-2643
1250	5	10	1	3	PSA 513 1250/5 10 1-WA 50X12 85-30	77115-2663
1250	5	15	1	3	PSA 513 1250/5 15 1-WA 50X12 85-30	77115-2673
200	1	5	1	3	PSA 513 200/1 5,0 1-WA 50X12 85-30	77115-6643
250	1	5	1	3	PSA 513 250/1 5,0 1-WA 50X12 85-30	77115-6743
300	1	10	1	3	PSA 513 300/1 10 1-WA 50X12 85-30	77115-6863
400	1	5	1	3	PSA 513 400/1 5,0 0,5-WA 50X12 85-30	77115-6943
400	1	10	1	3	PSA 513 400/1 10,0 1,0-WA 50X12 85-30	77115-6963

Window-type current transformers

► Technical data, page 324



77115-2663

PSA 513 window-type current transformer

Features:

- Primary busbar 50 x 12 mm, accuracy class 1

Primary current	Secondary current	VA	Accuracy class	PU	Product designation	Order no.
500	1	10	1	3	PSA 513 500/1 10 1-WA 50X12 85-30	77115-7063
600	1	5	1	3	PSA 513 600/1 5,0 1-WA 50X12 85-30	77115-7143
600	1	10	1	3	PSA 513 600/1 10 1-WA 50X12 85-30	77115-7163
750	1	5	1	3	PSA 513 750/1 5,0 1-WA 50X12 85-30	77115-7243
750	1	10	1	3	PSA 513 750/1 10 1-WA 50X12 85-30	77115-7263
800	1	5	1	3	PSA 513 800/1 5,0 1-WA 50X12 85-30	77115-7343
800	1	10	1	3	PSA 513 800/1 10 1-WA 50X12 85-30	77115-7363
1000	1	5	1	3	PSA 513 1000/1 5,0 1-WA 50X12 85-30	77115-7443
1000	1	10	1	3	PSA 513 1000/1 10 1-WA 50X12 85-30	77115-7463
1200	1	10	1	3	PSA 513 1200/1 10 1-WA 50X12 85-30	77115-7563
1250	1	10	1	3	PSA 513 1250/1 10 1-WA 50X12 85-30	77115-7663



77119-1942

PSA 613 window-type current transformer

Features:

- Primary busbar 60 x 10 mm, accuracy class 0.5

Primary current	Secondary current	VA	Accuracy class	PU	Product designation	Order no.
400	5	5	0,5	3	PSA 613 400/5 5,0 0,5-WA 60X10 85-30	77119-1942
400	5	10	0,5	3	PSA 613 400/5 10 0,5-WA 60X10 85-30	77119-1962
500	5	5	0,5	3	PSA 613 500/5 5,0 0,5-WA 60X10 85-30	77119-2042
500	5	10	0,5	3	PSA 613 500/5 10 0,5-WA 60X10 85-30	77119-2062
600	5	5	0,5	3	PSA 613 600/5 5,0 0,5-WA 60X10 85-30	77119-2142
600	5	10	0,5	3	PSA 613 600/5 10 0,5-WA 60X10 85-30	77119-2162
750	5	5	0,5	3	PSA 613 750/5 5,0 0,5-WA 60X10 85-30	77119-2242
750	5	10	0,5	3	PSA 613 750/5 10 0,5-WA 60X10 85-30	77119-2262
800	5	5	0,5	3	PSA 613 800/5 5,0 0,5-WA 60X10 85-30	77119-2342
800	5	10	0,5	3	PSA 613 800/5 10 0,5-WA 60X10 85-30	77119-2362
1000	5	5	0,5	3	PSA 613 1000/5 5,0 0,5-WA 60X10 85-30	77119-2442
1000	5	10	0,5	3	PSA 613 1000/5 10 0,5-WA 60X10 85-30	77119-2462
1200	5	5	0,5	3	PSA 613 1200/5 5,0 0,5-WA 60X10 85-30	77119-2542
1200	5	10	0,5	3	PSA 613 1200/5 10 0,5-WA 60X10 85-30	77119-2562
1250	5	5	0,5	3	PSA 613 1250/5 5,0 0,5-WA 60X10 85-30	77119-2642
1250	5	10	0,5	3	PSA 613 1250/5 10 0,5-WA 60X10 85-30	77119-2662
1500	5	5	0,5	3	PSA 613 1500/5 5,0 0,5-WA 60X10 85-30	77119-2742
1500	5	10	0,5	3	PSA 613 1500/5 10 0,5-WA 60X10 85-30	77119-2762
1600	5	5	0,5	3	PSA 613 1600/5 5,0 0,5-WA 60X10 85-30	77119-2842
1600	5	10	0,5	3	PSA 613 1600/5 10 0,5-WA 60X10 85-30	77119-2862
400	1	5	0,5	3	PSA 613 400/1 5 0,5-WA 60X10 85-30	77119-6942
500	1	5	0,5	3	PSA 613 500/1 5,0 0,5-WA 60X10 85-30	77119-7042
600	1	5	0,5	3	PSA 613 600/1 5,0 0,5-WA 60X10 85-30	77119-7142
750	1	5	0,5	3	PSA 613 750/1 5,0 0,5-WA 60X10 85-30	77119-7242
800	1	5	0,5	3	PSA 613 800/1 5,0 0,5-WA 60X10 85-30	77119-7342
1000	1	5	0,5	3	PSA 613 1000/1 5,0 0,5-WA 60X10 85-30	77119-7442
1200	1	5	0,5	3	PSA 613 1200/1 5 0,5-WA 60X10 85-30	77119-7542
1250	1	5	0,5	3	PSA 613 1250/1 5,0 0,5-WA 60X10 85-30	77119-7642
1500	1	5	0,5	3	PSA 613 1500/1 5,0 0,5-WA 60X10 85-30	77119-7742
1600	1	5	0,5	3	PSA 613 1600/1 5 0,5-WA 60X10 85-30	77119-7842

Window-type current transformers

► Technical data, page 324



77119-2773

PSA 613 window-type current transformer

Features:

- Primary busbar 60 x 10 mm, accuracy class 1

Primary current	Secondary current	VA	Accuracy class	PU	Product designation	Order no.
400	5	5	1	3	PSA 613 400/5 5,0 1-WA 60X10 85-30	77119-1943
400	5	10	1	3	PSA 613 400/5 10 1-WA 60X10 85-30	77119-1963
400	5	15	1	3	PSA 613 400/5 15 1-WA 60X10 85-30	77119-1973
500	5	5	1	3	PSA 613 500/5 5,0 1-WA 60X10 85-30	77119-2043
500	5	10	1	3	PSA 613 500/5 10 1-WA 60X10 85-30	77119-2063
500	5	15	1	3	PSA 613 500/5 15 1-WA 60X10 85-30	77119-2073
600	5	5	1	3	PSA 613 600/5 5,0 1-WA 60X10 85-30	77119-2143
600	5	10	1	3	PSA 613 600/5 10 1-WA 60X10 85-30	77119-2163
600	5	15	1	3	PSA 613 600/5 15 1-WA 60X10 85-30	77119-2173
750	5	10	1	3	PSA 613 750/5 10 1-WA 60X10 85-30	77119-2263
750	5	15	1	3	PSA 613 650/5 15 1-WA 60X10 85-30	77119-2273
800	5	5	1	3	PSA 613 800/5 5,0 1-WA 60X10 85-30	77119-2343
800	5	10	1	3	PSA 613 800/5 10 1-WA 60X10 85-30	77119-2363
800	5	15	1	3	PSA 613 800/5 15 1-WA 60X10 85-30	77119-2373
1000	5	5	1	3	PSA 613 1000/5 5,0 1-WA 60X10 85-30	77119-2443
1000	5	10	1	3	PSA 613 1000/5 10 1-WA 60X10 85-30	77119-2463
1000	5	15	1	3	PSA 613 1000/5 15 1-WA 60X10 85-30	77119-2473
1200	5	5	1	3	PSA 613 1200/5 5,0 1-WA 60X10 85-30	77119-2543
1200	5	10	1	3	PSA 613 1200/5 10 1-WA 60X10 85-30	77119-2563
1200	5	15	1	3	PSA 613 1200/5 15 1-WA 60X10 85-30	77119-2573
1250	5	5	1	3	PSA 613 1250/5 5,0 1-WA 60X10 85-30	77119-2643
1250	5	10	1	3	PSA 613 1250/5 10 1-WA 60X10 85-30	77119-2663
1250	5	15	1	3	PSA 613 1250/5 15 1-WA 60X10 85-30	77119-2673
1500	5	5	1	3	PSA 613 1500/5 5,0 1-WA 60X10 85-30	77119-2743
1500	5	10	1	3	PSA 613 1500/5 10 1-WA 60X10 85-30	77119-2763
1500	5	15	1	3	PSA 613 1500/5 15 1-WA 60X10 85-30	77119-2773
1600	5	5	1	3	PSA 613 1600/5 5,0 1-WA 60X10 85-30	77119-2843
1600	5	10	1	3	PSA 613 1600/5 10 1-WA 60X10 85-30	77119-2863
1600	5	15	1	3	PSA 613 1600/5 15 1-WA 60X10 85-30	77119-2873
400	1	10	1	3	PSA 613 400/1 10 1-WA 60X10 85-30	77119-6963
500	1	10	1	3	PSA 613 500/1 10 1-WA 60X10 85-30	77119-7063
600	1	10	1	3	PSA 613 600/1 10 1-WA 60X10 85-30	77119-7163
750	1	10	1	3	PSA 613 750/1 10 1-WA 60X10 85-30	77119-7263
800	1	10	1	3	PSA 613 800/1 10 1-WA 60X10 85-30	77119-7363
1000	1	10	1	3	PSA 613 1000/1 10 1-WA 60X10 85-30	77119-7463
1200	1	10	1	3	PSA 613 1200/1 10 1-WA 60X10 85-30	77119-7563
1250	1	10	1	3	PSA 613 1250/1 10 1-WA 60X10 85-30	77119-7663
1500	1	10	1	3	PSA 613 1500/1 10 1-WA 60X10 85-30	77119-7763
1600	1	10	1	3	PSA 613 1600/1 10 1-WA 60X10 85-30	77119-7863



77121-1942

PSA 633 window-type current transformer

Features:

- Primary busbar 60 x 30 mm, accuracy class 0.5

Primary current	Secondary current	VA	Accuracy class	PU	Product designation	Order no.
800	5	10	0,5	3	PSA 633 800/5 10 0,5-WA 60X30 90-30	77121-2362
1000	5	10	0,5	3	PSA 633 1000/5 10 0,5-WA 60X30 90-30	77121-2462
1200	5	10	0,5	3	PSA 633 1200/5 10 0,5-WA 60X30 90-30	77121-2562
1250	5	10	0,5	3	PSA 633 1250/5 10 0,5-WA 60X30 90-30	77121-2662
1500	5	10	0,5	3	PSA 633 1500/5 10 0,5-WA 60X30 90-30	77121-2762
1600	5	10	0,5	3	PSA 633 1600/5 10 0,5-WA 60X30 90-30	77121-2862
800	1	10	0,5	3	PSA 633 800/1 10 0,5-WA 60X30 90-30	77121-7362
1000	1	10	0,5	3	PSA 633 1000/1 10 0,5-WA 60X30 90-30	77121-7462
1200	1	10	0,5	3	PSA 633 1200/1 10 0,5-WA 60X30 90-30	77121-7562
1250	1	10	0,5	3	PSA 633 1250/1 10 0,5-WA 60X30 90-30	77121-7662
1500	1	10	0,5	3	PSA 633 1500/1 10 0,5-WA 60X30 90-30	77121-7762

Window-type current transformers

► Technical data, page 324



77121-1942

PSA 633 window-type current transformer

Features:

- Primary busbar 60 x 30 mm, accuracy class 0.5

Primary current	Secondary current	VA	Accuracy class	PU	Product designation	Order no.
1600	1	10	0,5	3	PSA 633 1600/1 10 0,5-WA 60X30 90-30	77121-7862



77121-2473

PSA 633 window-type current transformer

Features:

- Primary busbar 60 x 30 mm, accuracy class 1

Primary current	Secondary current	VA	Accuracy class	PU	Product designation	Order no.
800	5	10	1	3	PSA 633 800/5 10 1-WA 60X30 90-30	77121-2363
800	5	15	1	3	PSA 633 800/5 15 1-WA 60X30 90-30	77121-2373
1000	5	10	1	3	PSA 633 1000/5 10 1-WA 60X30 90-30	77121-2463
1250	5	15	1	3	PSA 633 1250/5 15 1-WA 60X30 90-30	77121-2673
1000	5	15	1	3	PSA 633 1000/5 15 1-WA 60X30 90-30	77121-2473
1200	5	10	1	3	PSA 633 1200/5 10 1-WA 60X30 90-30	77121-2563
1200	5	15	1	3	PSA 633 1200/5 15 1-WA 60X30 90-30	77121-2573
1250	5	10	1	3	PSA 633 1250/5 10 1-WA 60X30 90-30	77121-2663
1500	5	10	1	3	PSA 633 1500/5 10 1-WA 60X30 90-30	77121-2763
1500	5	15	1	3	PSA 633 1500/5 15 1-WA 60X30 90-30	77121-2773
1600	5	10	1	3	PSA 633 1600/5 10 1-WA 60X30 90-30	77121-2863
1600	5	15	1	3	PSA 633 1600/5 15 1-WA 60X30 90-30	77121-2873
800	1	10	1	3	PSA 633 800/1 10 1-WA 60X30 90-30	77121-7363
800	1	15	1	3	PSA 633 800/1 15 1-WA 60X30 90-30	77121-7373
1000	1	10	1	3	PSA 633 1000/1 10 1-WA 60X30 90-30	77121-7463
1000	1	15	1	3	PSA 633 1000/1 15 1-WA 60X30 90-30	77121-7473
1200	1	10	1	3	PSA 633 1200/1 10 1-WA 60X30 90-30	77121-7563
1200	1	15	1	3	PSA 633 1200/1 15 1-WA 60X30 90-30	77121-7573
1250	1	10	1	3	PSA 633 1250/1 10 1-WA 60X30 90-30	77121-7663
1250	1	15	1	3	PSA 633 1250/1 15 1-WA 60X30 90-30	77121-7673
1500	1	10	1	3	PSA 633 1500/1 10 1-WA 60X30 90-30	77121-7763
1500	1	15	1	3	PSA 633 1500/1 15 1-WA 60X30 90-30	77121-7773
1600	1	10	1	3	PSA 633 1600/1 10 1-WA 60X30 90-30	77121-7863
1600	1	15	1	3	PSA 633 1600/1 15 1-WA 60X30 90-30	77121-7873



77124-1942

PSA 814 window-type current transformer

Features:

- Primary busbar 80 x 10 (60 x 30) mm, accuracy class 0.5

Primary current	Secondary current	VA	Accuracy class	PU	Product designation	Order no.
400	5	5	0,5	3	PSA 814 400/5 5,0 0,5-WA 80X10 100-40	77124-1942
500	5	5	0,5	3	PSA 814 500/5 5,0 0,5-WA 80X10 100-40	77124-2042
500	5	10	0,5	3	PSA 814 500/5 10 0,5-WA 80X10 100-40	77124-2062
600	5	10	0,5	3	PSA 814 600/5 10 0,5-WA 80X10 100-40	77124-2162
600	5	15	0,5	3	PSA 814 600/5 15 0,5-WA 80X10 100-40	77124-2172
800	5	10	0,5	3	PSA 814 800/5 10 0,5-WA 80X10 100-40	77124-2362
800	5	15	0,5	3	PSA 814 800/5 15 0,5-WA 80X10 100-40	77124-2372
1000	5	10	0,5	3	PSA 814 1000/5 10 0,5-WA 80X10 100-40	77124-2462
1000	5	15	0,5	3	PSA 814 1000/5 15 0,5-WA 80X10 100-40	77124-2472
1200	5	10	0,5	3	PSA 814 1200/5 10 0,5-WA 80X10 100-40	77124-2562
1200	5	15	0,5	3	PSA 814 1200/5 15 0,5-WA 80X10 100-40	77124-2572
1250	5	10	0,5	3	PSA 814 1250/5 10 0,5-WA 80X10 100-40	77124-2662
1250	5	15	0,5	3	PSA 814 1250/5 15 0,5-WA 80X10 100-40	77124-2672
1500	5	10	0,5	3	PSA 814 1500/5 10 0,5-WA 80X10 100-40	77124-2762

Window-type current transformers

► Technical data, page 325



77124-1942

PSA 814 window-type current transformer

Features:

- Primary busbar 80 x 10 (60 x 30) mm, accuracy class 0.5

Primary current	Secondary current	VA	Accuracy class	PU	Product designation	Order no.
1500	5	15	0,5	3	PSA 814 1500/5 15 0,5-WA 80X10 100-40	77124-2772
1600	5	10	0,5	3	PSA 814 1600/5 10 0,5-WA 80X10 100-40	77124-2862
1600	5	15	0,5	3	PSA 814 1600/5 15 0,5-WA 80X10 100-40	77124-2872
2000	5	10	0,5	3	PSA 814 2000/5 10 0,5-WA 80X10 100-40	77124-2962
2000	5	15	0,5	3	PSA 814 2000/5 15 0,5-WA 80X10 100-40	77124-2972
400	1	10	0,5	3	PSA 814 400/1 10 0,5-WA 80X10 100-40	77124-6962
500	1	10	0,5	3	PSA 814 500/1 10 0,5-WA 80X10 100-40	77124-7062
600	1	10	0,5	3	PSA 814 600/1 10 0,5-WA 80X10 100-40	77124-7162
800	1	10	0,5	3	PSA 814 800/1 10 0,5-WA 80X10 100-40	77124-7362
1000	1	10	0,5	3	PSA 814 1000/1 10 0,5-WA 80X10 100-40	77124-7462
1200	1	10	0,5	3	PSA 814 1200/1 10 0,5-WA 80X10 100-40	77124-7562
1250	1	10	0,5	3	PSA 814 1250/1 10 0,5-WA 80X10 100-40	77124-7662
1500	1	10	0,5	3	PSA 814 1500/1 10 0,5-WA 80X10 100-40	77124-7762
1600	1	10	0,5	3	PSA 814 1600/1 10 0,5-WA 80X10 100-40	77124-7862
2000	1	10	0,5	3	PSA 814 2000/1 10 0,5-WA 80X10 100-40	77124-7962



77124-2963

PSA 814 window-type current transformer

Features:

- Primary busbar 80 x 10 (60 x 30) mm, accuracy class 1

Primary current	Secondary current	VA	Accuracy class	PU	Product designation	Order no.
400	5	5	1	3	PSA 814 400/5 5,0 1-WA 80X10 100-40	77124-1943
400	5	10	1	3	PSA 814 400/5 10 1-WA 80X10 100-40	77124-1963
500	5	5	1	3	PSA 814 500/5 5,0 1-WA 80X10 100-40	77124-2043
500	5	10	1	3	PSA 814 500/5 10 1-WA 80X10 100-40	77124-2063
600	5	10	1	3	PSA 814 600/5 10 1-WA 80X10 100-40	77124-2163
600	5	15	1	3	PSA 814 600/5 15 1-WA 80X10 100-40	77124-2173
800	5	10	1	3	PSA 814 800/5 10 1-WA 80X10 100-40	77124-2363
800	5	15	1	3	PSA 814 800/5 15 1-WA 80X10 100-40	77124-2373
1000	5	10	1	3	PSA 814 1000/5 10 1-WA 80X10 100-40	77124-2463
1000	5	15	1	3	PSA 814 1000/5 15 1-WA 80X10 100-40	77124-2473
1200	5	10	1	3	PSA 814 1200/5 10 1-WA 80X10 100-40	77124-2563
1200	5	15	1	3	PSA 814 1200/5 15 1-WA 80X10 100-40	77124-2573
1250	5	10	1	3	PSA 814 1250/5 10 1-WA 80X10 100-40	77124-2663
1250	5	15	1	3	PSA 814 1250/5 15 1-WA 80X10 100-40	77124-2673
1500	5	10	1	3	PSA 814 1500/5 10 1-WA 80X10 100-40	77124-2763
1500	5	15	1	3	PSA 814 1500/5 15 1-WA 80X10 100-40	77124-2773
1600	5	10	1	3	PSA 814 1600/5 10 1-WA 80X10 100-40	77124-2863
2000	5	10	1	3	PSA 814 2000/5 10 1-WA 80X10 100-40	77124-2963
400	1	10	1	3	PSA 814 400/1 10 1-WA 80X10 100-40	77124-6963
500	1	10	1	3	PSA 814 500/1 10 1-WA 80X10 100-40	77124-7063
600	1	10	1	3	PSA 814 600/1 10 1-WA 80X10 100-40	77124-7163
800	1	10	1	3	PSA 814 800/1 10 1-WA 80X10 100-40	77124-7363
1000	1	10	1	3	PSA 814 1000/1 10 1-WA 80X10 100-40	77124-7463
1200	1	10	1	3	PSA 814 1200/1 10 1-WA 80X10 100-40	77124-7563
1250	1	10	1	3	PSA 814 1250/1 10 1-WA 80X10 100-40	77124-7663
1500	1	10	1	3	PSA 814 1500/1 10 1-WA 80X10 100-40	77124-7763
1600	1	10	1	3	PSA 814 1600/1 10 1-WA 80X10 100-40	77124-7863
2000	1	10	1	3	PSA 814 2000/1 10 1-WA 80X10 100-40	77124-7963

Window-type current transformers

► Technical data, page 325



77125-2572

PSA 1034 window-type current transformer

Features:

- Primary busbar 2 x 100 x 10 (80 x 50) mm, accuracy class 0.5

Primary current	Secondary current	VA	Accuracy class	PU	Product designation	Order no.
400	5	10	0,5	1	PSA 1034 400/5 10 0,5-WA 2X100X10 135-40	77125-1962
500	5	10	0,5	1	PSA 1034 500/5 10 0,5-WA 2X100X10 135-40	77125-2062
600	5	10	0,5	1	PSA 1034 600/5 10 0,5-WA 2X100X10 135-40	77125-2162
800	5	10	0,5	1	PSA 1034 800/5 10 0,5-WA 2X100X10 135-40	77125-2362
1000	5	10	0,5	1	PSA 1034 1000/5 10 0,5-WA2X100X10 135-40	77125-2462
1000	5	15	0,5	1	PSA 1034 1000/5 15 0,5-WA2X100X10 135-40	77125-2472
1200	5	10	0,5	1	PSA 1034 1200/5 10 0,5-WA2X100X10 135-40	77125-2562
1200	5	15	0,5	1	PSA 1034 1200/5 15 0,5-WA 2X100X10 135-40	77125-2572
1250	5	10	0,5	1	PSA 1034 1250/5 10 0,5-WA2X100X10 135-40	77125-2662
1250	5	15	0,5	1	PSA 1034 1250/5 15 0,5-WA2X100X10 135-40	77125-2672
1500	5	5	0,5	1	PSA 1034 1500/5 5 0,5-WA 2X100X10 135-40	77125-2742
1500	5	10	0,5	1	PSA 1034 1500/5 10 0,5-WA2X100X10 135-40	77125-2762
1500	5	15	0,5	1	PSA 1034 1500/5 15 0,5-WA2X100X10 135-40	77125-2772
1250	1	15	0,5	1	PSA 1034 1250/1 15 0,5-WA2X100X10 135-40	77125-7672
1500	1	10	0,5	1	PSA 1034 1500/1 10 0,5-WA2X100X10 135-40	77125-7762
1600	5	10	0,5	1	PSA 1034 1600/5 10 0,5-WA2X100X10 135-40	77125-2862
1600	5	15	0,5	1	PSA 1034 1600/5 15 0,5-WA2X100X10 135-40	77125-2872
2000	5	10	0,5	1	PSA 1034 2000/5 10 0,5-WA2X100X10 135-40	77125-2962
2000	5	15	0,5	1	PSA 1034 2000/5 15 0,5-WA2X100X10 135-40	77125-2972
2500	5	10	0,5	1	PSA 1034 2500/5 10 0,5-WA2X100X10 135-40	77125-3162
2500	5	15	0,5	1	PSA 1034 2500/5 15 0,5-WA2X100X10 135-40	77125-3172
3000	5	10	0,5	1	PSA 1034 3000/5 10 0,5-WA2X100X10 135-40	77125-3262
3000	5	15	0,5	1	PSA 1034 3000/5 15 0,5-WA2X100X10 135-40	77125-3272
4000	5	10	0,5	1	PSA 1034 4000/5 10 0,5-WA 2X100X10 135-40	77125-3362
4000	5	15	0,5	1	PSA 1034 4000/5 15 0,5-WA 2X100X10 135-40	77125-3372
400	1	10	0,5	1	PSA 1034 400/1 10 0,5-WA 2X100X10 135-40	77125-6962
500	1	10	0,5	1	PSA 1034 500/1 10 0,5-WA 2X100X10 135-40	77125-7062
600	1	10	0,5	1	PSA 1034 600/1 10 0,5-WA 2X100X10 135-40	77125-7162
800	1	10	0,5	1	PSA 1034 800/1 10 0,5-WA 2X100X10 135-40	77125-7362
1000	1	10	0,5	1	PSA 1034 1000/1 10 0,5-WA2X100X10 135-40	77125-7462
1200	1	10	0,5	1	PSA 1034 1200/1 10 0,5-WA 2X100X10 135-40	77125-7562
1200	1	15	0,5	1	PSA 1034 1200/1 15 0,5-WA 2X100X10 135-40	77125-7572
1250	1	10	0,5	1	PSA 1034 1250/1 10 0,5-WA2X100X10 135-40	77125-7662
1500	1	15	0,5	1	PSA 1034 1500/1 15 0,5-WA2X100X10 135-40	77125-7772
1600	1	10	0,5	1	PSA 1034 1600/1 10 0,5-WA 2X100X10 135-40	77125-7862
1600	1	15	0,5	1	PSA 1034 1600/1 15 0,5-WA 2X100X10 135-40	77125-7872
2000	1	10	0,5	1	PSA 1034 2000/1 10 0,5-WA2x100x10 135-40	77125-7962
2000	1	15	0,5	1	PSA 1034 2000/1 15 0,5-WA2X100X10 135-40	77125-7972
2500	1	10	0,5	1	PSA 1034 2500/1 10 0,5-WA2X100X10 135-40	77125-8162
2500	1	15	0,5	1	PSA 1034 2500/1 15 0,5-WA2X100X10 135-40	77125-8172
3000	1	10	0,5	1	PSA 1034 3000/1 10 0,5-WA 2X100X10 135-40	77125-8262
3000	1	15	0,5	1	PSA 1034 3000/1 15 0,5-WA2X100X10 135-40	77125-8272
4000	1	10	0,5	1	PSA 1034 4000/1 10 0,5-WA 2X100X10 135-40	77125-8362
4000	1	15	0,5	1	PSA 1034 4000/1 15 0,5-WA2X100X10 135-40	77125-8372



77125-2573

PSA 1034 window-type current transformer

Features:

- Primary busbar 2 x 100 x 10 (80 x 50) mm, accuracy class 1

Primary current	Secondary current	VA	Accuracy class	PU	Product designation	Order no.
400	5	10	1	1	PSA 1034 400/5 10 1-WA 2X100X10 135-40	77125-1963
500	5	10	1	1	PSA 1034 500/5 10 1-WA 2X100X10 135-40	77125-2063
600	5	10	1	1	PSA 1034 600/5 10 1-WA 2X100X10 135-40	77125-2163
1000	5	30	1	1	PSA 1034 1000/5 30 1-WA 2X100X10 135-40	77125-2483
1200	5	10	1	1	PSA 1034 1200/5 10 1-WA 2X100X10 135-40	77125-2563
1200	5	15	1	1	PSA 1034 1200/5 15 1-WA 2X100X10 135-40	77125-2573

Window-type current transformers

► Technical data, page 325



77125-2573

PSA 1034 window-type current transformer

Features:

- Primary busbar 2 x 100 x 10 (80 x 50) mm, accuracy class 1

Primary current	Secondary current	VA	Accuracy class	PU	Product designation	Order no.
1200	5	30	1	1	PSA 1034 1200/5 30 1-WA 2X100X10 135-40	77125-2583
1250	5	30	1	1	PSA 1034 1250/5 30 1-WA 2X100X10 135-40	77125-2683
1500	5	30	1	1	PSA 1034 1500/5 30 1-WA 2X100X10 135-40	77125-2783
1600	5	30	1	1	PSA 1034 1600/5 30 1-WA 2X100X10 135-40	77125-2883
2000	5	30	1	1	PSA 1034 2000/5 30 1-WA 2X100X10 135-40	77125-2983
2500	5	30	1	1	PSA 1034 2500/5 30 1-WA 2X100X10 135-40	77125-3183
3000	5	30	1	1	PSA 1034 3000/5 30 1-WA 2X100X10 135-40	77125-3283
4000	5	10	1	1	PSA 1034 4000/5 10 1-WA 2X100X10 135-40	77125-3363
4000	5	15	1	1	PSA 1034 4000/5 15 1-WA 2X100X10 135-40	77125-3373
400	1	10	1	1	PSA 1034 400/1 10 1-WA 2X100X10 135-40	77125-6963
500	1	10	1	1	PSA 1034 500/1 10 1-WA 2X100X10 135-40	77125-7063
600	1	10	1	1	PSA 1034 600/1 10 1-WA 2X100X10 135-40	77125-7163
800	1	10	1	1	PSA 1034 800/1 10 1-WA 2X100X10 135-40	77125-7363
800	1	15	1	1	PSA 1034 800/1 15 1-WA 2X100X10 135-40	77125-7373
1000	1	10	1	1	PSA 1034 1000/1 10 1-WA 2X100X10 135-40	77125-7463
1000	1	15	1	1	PSA 1034 1000/1 15 1-WA 2X100X10 135-40	77125-7473
1200	1	10	1	1	PSA 1034 1200/1 10 1-WA 2X100X10 135-40	77125-7563
1200	1	15	1	1	PSA 1034 1200/1 15 1-WA 2X100X10 135-40	77125-7573
1250	1	10	1	1	PSA 1034 1250/1 10 1-WA 2X100X10 135-40	77125-7663
1250	1	15	1	1	PSA 1034 1250/1 15 1-WA 2X100X10 135-40	77125-7673
1500	1	10	1	1	PSA 1034 1500/1 10 1-WA 2X100X10 135-40	77125-7763
1500	1	15	1	1	PSA 1034 1500/1 15 1-WA 2X100X10 135-40	77125-7773
1600	1	10	1	1	PSA 1034 1600/1 10 1-WA 2X100X10 135-40	77125-7863
1600	1	15	1	1	PSA 1034 1600/1 15 1-WA 2X100X10 135-40	77125-7873
2000	1	10	1	1	PSA 1034 2000/1 10 1-WA 2X100X10 135-40	77125-7963
2000	1	15	1	1	PSA 1034 2000/1 15 1-WA 2X100X10 135-40	77125-7973
2500	1	10	1	1	PSA 1034 2500/1 10 1-WA 2X100X10 135-40	77125-8163
2500	1	15	1	1	PSA 1034 2500/1 15 1-WA 2X100X10 135-40	77125-8173
3000	1	10	1	1	PSA 1034 3000/1 10 1-WA 2X100X10 135-40	77125-8263
3000	1	15	1	1	PSA 1034 3000/1 15 1-WA 2X100X10 135-40	77125-8273
4000	1	10	1	1	PSA 1034 4000/1 10 1-WA 2X100X10 135-40	77125-8363
4000	1	15	1	1	PSA 1034 4000/1 15 1-WA 2X100X10 135-40	77125-8373



77127-2972

PSA 1254 window-type current transformer

Features:

- Primary busbar 3 x 120 x 10 mm, accuracy class 0.5

Primary current	Secondary current	VA	Accuracy class	PU	Product designation	Order no.
1000	5	10	0,5	1	PSA 1254 1000/5 10 0,5-WA 3X120X10 160-40	77127-2462
1200	5	10	0,5	1	PSA 1254 1200/5 10 0,5-WA 3X120X10 160-40	77127-2562
1250	5	10	0,5	1	PSA 1254 1250/5 10 0,5-WA 3X120X10 160-40	77127-2662
1500	5	10	0,5	1	PSA 1254 1500/5 10 0,5-WA 3X120X10 160-40	77127-2762
1500	5	10	0,5	1	PSA 1254 1500/5 10 0,5-WA 3X120X10 160-40	77127-2762
1600	5	10	0,5	1	PSA 1254 1600/5 10 0,5-WA 3X120X10 160-40	77127-2862
2000	5	10	0,5	1	PSA 1254 2000/2 10 0,5 - WA 3x120x10 160-40	77127-2962
2500	5	10	0,5	1	PSA 1254 2500/2 10 0,5 - WA 3x120x10 160-40	77127-3162
3000	5	10	0,5	1	PSA 1254 3000/5 10 0,5-WA 3X120X10 160-4	77127-3262
4000	5	10	0,5	1	PSA 1254 4000/2 10 0,5 - WA 3x120x10 160-40	77127-3362
5000	5	10	0,5	1	PSA 1254 5000/2 10 0,5 - WA 3x120x10 160-40	77127-3462
1000	1	10	0,5	1	PSA 1254 1000/1 10 0,5-WA3X120X10 160-40	77127-7462
1200	1	10	0,5	1	PSA 1254 1200/1 10 0,5-WA3X120X10 160-40	77127-7562
1250	1	10	0,5	1	PSA 1254 1250/1 10 0,5-WA3X120X10 160-40	77127-7662
1500	1	10	0,5	1	PSA 1254 1500/1 10 0,5-WA3X120X10 160-40	77127-7762
1600	1	10	0,5	1	PSA 1254 1600/1 10 0,5-WA3X120X10 160-40	77127-7862
2000	1	10	0,5	1	PSA 1254 2000/1 10 0,5-WA3X120X10 160-40	77127-7962
2500	1	10	0,5	1	PSA 1254 2500/1 10 0,5-WA 3X120X10 160-4	77127-8162

Window-type current transformers

► Technical data, page 325



77127-2972

PSA 1254 window-type current transformer

Features:

- Primary busbar 3 x 120 x 10 mm, accuracy class 0.5

Primary current	Secondary current	VA	Accuracy class	PU	Product designation	Order no.
3000	1	10	0,5	1	PSA 1254 3000/1 10 0,5-WA3X120X10 160-40	77127-8262
4000	1	10	0,5	1	PSA 1254 4000/1 10 0,5-WA 3X120X10 160-40	77127-8362
5000	1	10	0,5	1	PSA 1274 5000/2 15 1 - WA 4x120x10 160-40	77127-8462



77127-2973

PSA 1254 window-type current transformer

Features:

- Primary busbar 3 x 120 x 10 mm, accuracy class 1

Primary current	Secondary current	VA	Accuracy class	PU	Product designation	Order no.
800	5	15	1	1	PSA 1254 800/5 15 1-WA 3X120X10 160-40	77127-2373
1000	5	15	1	1	PSA 1254 1000/5 15 1-WA 3X120X10 160-40	77127-2473
1200	5	15	1	1	PSA 1254 1200/5 15 1-WA 3X120X10 160-40	77127-2573
1250	5	15	1	1	PSA 1254 1250/5 15 1-WA 3X120X10 160-40	77127-2673
1500	5	15	1	1	PSA 1254 1500/5 15 1-WA 3X120X10 160-40	77127-2773
1600	5	15	1	1	PSA 1254 1600/5 15 1-WA 3X120X10 160-40	77127-2873
2000	5	15	1	1	PSA 1254 2000/5 15 1-WA 3X120X10 160-40	77127-2973
2500	5	15	1	1	PSA 1254 2500/5 15 1-WA 3X120X10 160-40	77127-3173
3000	5	15	1	1	PSA 1254 3000/5 15 1-WA 3X120X10 160-40	77127-3273
4000	5	15	1	1	PSA 1254 4000/5 15 1-WA 3X120X10 160-40	77127-3373
800	1	15	1	1	PSA 1254 800/1 15 1-WA 3X120X10 160-40	77127-7373
1000	1	15	1	1	PSA 1254 1000/1 15 1-WA 3X120X10 160-40	77127-7473
1200	1	15	1	1	PSA 1254 1200/1 15 1-WA3X120X10 160-40	77127-7573
1250	1	15	1	1	PSA 1254 1250/1 15 1-WA3X120X10 160-40	77127-7673
1500	1	15	1	1	PSA 1254 1500/1 15 1-WA3X120X10 160-40	77127-7773
1600	1	15	1	1	PSA 1254 1600/1 15 1-WA3X120X10 160-40	77127-7873
2000	1	15	1	1	PSA 1254 2000/1 15 1-WA3X120X10 160-40	77127-7973
2500	1	15	1	1	PSA 1254 2500/1 15 1-WA 3X120X10 160-40	77127-8173
3000	1	15	1	1	PSA 1254 3000/1 15 1-WA 3X120X10 160-40	77127-8273
4000	1	15	1	1	PSA 1254 4000/1 15 1-WA 3X120X10 160-4	77127-8373
5000	1	15	1	1	PSA 1254 5000/1 15 1-WA 3X120X10 160-40	77127-8473



77128-2862

PSA 1274 window-type current transformer

Features:

- Primary busbar 4 x 120 x 10 mm, accuracy class 0.5

Primary current	Secondary current	VA	Accuracy class	PU	Product designation	Order no.
1600	5	10	0,5	1	PSA 1274 1600/5 10 0,5-WA4X120X10 160-40	77128-2862
2000	5	10	0,5	1	PSA 1274 2000/5 10 0,5-WA3X120X10 160-40	77128-2962
2500	5	10	0,5	1	PSA1274 2500/5 10 0,5-WA 4x120x10 160-40	77128-3162
3000	5	10	0,5	1	PSA 1274 3000/5 10 0,5-WA4X120X10 160-40	77128-3262
4000	5	10	0,5	1	PSA 1274 4000/5 10 0,5-WA4X120X10 160-40	77128-3362
1600	1	10	0,5	1	PSA 1274 1600/1 10 0,5-WA 4X120X10 160-4	77128-7862
2000	1	10	0,5	1	PSA 1274 2000/1 10 0,5-WA 4X120X10 160-4	77128-7962
2500	1	10	0,5	1	PSA 1274 2500/1 10 0,5-WA 4X120X10 160-4	77128-8162
3000	1	10	0,5	1	PSA 1274 3000/1 10 0,5-WA 4X120X10 160-40	77128-8262
4000	1	10	0,5	1	PSA 1274 4000/1 10 0,5-WA 4X120X10 160-40	77128-8362

Window-type current transformers

► Technical data, page 325



77128-2863

PSA 1274 window-type current transformer

Features:

- Primary busbar 4 x 120 x 10 mm, accuracy class 1

Primary current	Secondary current	VA	Accuracy class	PU	Product designation	Order no.
1600	5	15	1	1	PSA 1274 1600/5 15 1-WA 3X120X10 160-40	77128-2873
2000	5	15	1	1	PSA 1274 2000/5 15 1-WA 4X120X10 160-40	77128-2973
2500	5	15	1	1	PSA 1274 2500/5 15 1-WA 4X120X10 160-40	77128-3173
3000	5	15	1	1	PSA 1274 3000/5 15 1-WA 4X120X10 160-40	77128-3273
4000	5	10	1	1	PSA 1274 4000/5 10 1-WA 4X120X10 160-40	77128-3363
4000	5	15	1	1	PSA 1274 4000/5 15 1-WA 4X120X10 160-40	77128-3373
5000	5	15	1	1	PSA 1274 5000/1 15 1-WA 4X120X10 160-40	77128-3473
1600	1	15	1	1	PSA 1274 1600/1 15 1-WA 4X120X10 160-4	77128-7873
2000	1	15	1	1	PSA 1274 2000/1 15 1-WA 4X120X10 160-4	77128-7973
2500	1	15	1	1	PSA 1274 2500/1 15 1-WA 4X120X10 160-4	77128-8173
3000	1	15	1	1	PSA 1274 3000/1 15 1-WA 4X120X10 160-40	77128-8273
4000	1	15	1	1	PSA 1274 4000/1 15 1-WA 4X120X10 160-40	77128-8373
5000	1	15	1	1	PSA 1274 5000/1 15 1-WA 4X120X10 160-40	77128-8473

Tube-type current transformers

► Technical data, page 326



77251-1322

PSR 200 tube-type current transformer

Features:

- Diameter 21 mm², accuracy class 0.5

Primary current	Secondary current	VA	Accuracy class	PU	Product designation	Order no.
100	5	1,5	0,5	3	PSR 200 100/5 1,5 0,5-WR 21 44-30	77251-1322
125	5	1,5	0,5	3	PSR 200 125/5 1,5 0,5-WR 21 44-30	77251-1422
150	5	1,5	0,5	3	PSR 200 150/5 2,5 0,5-WR 21 44-30	77251-1522
200	5	2,5	0,5	3	PSR 200 200/5 2,5 0,5-WR 21 44-30	77251-1632
250	5	5	0,5	3	PSR 200 250/5 5,0 0,5-WR 21 44-30	77251-1742
300	5	5	0,5	3	PSR 200 300/5 5,0 0,5-WR 21 44-30	77251-1842
100	1	1,5	0,5	3	PSR 200 100/1 1,5 0,5-WR 21 44-30	77251-6322
125	1	1,5	0,5	3	PSR 200 125/1 1,5 0,5-WR 21 44-30	77251-6422
150	1	1,5	0,5	3	PSR 200 150/1 1,5 0,5-WR 21 44-30	77251-6522
200	1	2,5	0,5	3	PSR 200 200/1 2,5 0,5-WR 21 44-30	77251-6632
250	1	5	0,5	3	PSR 200 250/1 5,0 0,5WR 21 44-30	77251-6742
300	1	5	0,5	3	PSR 200 300/1 5,0 0,5-WR 21 44-30	77251-6842



77251-0913

PSR 200 tube-type current transformer

Features:

- Diameter 21 mm², accuracy class 1

Primary current	Secondary current	VA	Accuracy class	PU	Product designation	Order no.
50	5	1	1	3	PSR 200 50/5 1,0 1-WR 21 44-30	77251-0913
60	5	1,5	1	3	PSR 200 60/5 1,5 1-WR 21 44-30	77251-1023
75	5	2	1	3	PSR 200 75/5 2,0 1-WR 21 44-30	77251-1193
80	5	1,5	1	3	PSR 200 80/5 1,5 1-WR 21 44-30	77251-1223
80	5	2	1	3	PSR 200 80/5 2,0 1-WR 21 44-30	77251-1293
100	5	2,5	1	3	PSR 200 100/5 2,5 1-WR 21 44-30	77251-1333
125	5	2,5	1	3	PSR 200 125/5 2,5 1-WR 21 44-30	77251-1433
150	5	2,5	1	3	PSR 200 150/5 2,5 1-WR 21 44-30	77251-1533
200	5	5	1	3	PSR 200 200/5 5,0 1-WR 21 44-30	77251-1643
250	5	5	1	3	PSR 200 250/5 2,5 1-WR 21 44-30	77251-1733
250	5	5	1	3	PSR 200 250/5 5,0 1-WR 21 44-30	77251-1743
300	5	5	1	3	PSR 200 300/5 5,0 1-WR 21 44-30	77251-1843
50	1	1	1	3	PSR 200 50/1 1,0 1-WR 21 44-30	77251-5913
60	1	1	1	3	PSR 200 60/1 1,0 1-WR 21 44-30	77251-6013
60	1	1,5	1	3	PSR 200 60/1 1,5 1-WR 21 44-30	77251-6023
75	1	2	1	3	PSR 200 75/1 2,0 1-WR 21 44-30	77251-6193
80	1	2	1	3	PSR 200 80/1 2,0 1-WR 21 44-30	77251-6293
100	1	2,5	1	3	PSR 200 100/1 2,5 1-WR 21 44-30	77251-6333
125	1	2,5	1	3	PSR 200 125/1 2,5 1-WR 21 44-30	77251-6433
150	1	2,5	1	3	PSR 200 150/1 2,5 1-WR 21 44-30	77251-6533
200	1	2,5	1	3	PSR 200 200/1 2,5 1-WR 21 44-30	77251-6633
250	1	5	1	3	PSR 200 250/1 5,0 1-WR 21 44-30	77251-6743
300	1	5	1	3	PSR 200 300/1 5,0 1-WR 21 44-30	77251-6843



77252-1322

PSR 201 tube-type current transformer

Features:

- Diameter 21 mm², accuracy class 0.5

Primary current	Secondary current	VA	Accuracy class	PU	Product designation	Order no.
125	5	1,5	0,5	3	PSR 200.1 125/5 1,5 0,5-WR 21 44-30-S	77252-1422

Tube-type current transformers

► Technical data, page 326



77252-0913

PSR 201 tube-type current transformer

Features:

- Diameter 21 mm², accuracy class 1

Primary current	Secondary current	VA	Accuracy class	PU	Product designation	Order no.
50	5	1	1	3	PSR 200.1 50/5 1,0 1-WR 21 44-30-S	77252-0913
60	5	1,5	1	3	PSR 200.1 60/5 1,5 1-WR 21 44-30-S	77252-1023
75	5	2	1	3	PSR 200.1 75/5 2 1-WR 21 44-30-S	77252-1193
100	5	2,5	1	3	PSR 200.1 100/5 2,5 1-WR 21 44-30-S	77252-1333
125	5	2,5	1	3	PSR 200.1 125/5 2,5 1-WR 21 44-30-S	77252-1433
150	5	2,5	1	3	PSR 200.1 150/5 2,5 1-WR 21 44-30-S	77252-1533
200	5	5	1	3	PSR 200.1 200/5 5,0 1-WR 21 44-30-S	77252-1643
250	5	5	1	3	PSR 200.1 250/5 5,0 1-WR 21 44-30-S	77252-1743
50	1	1	1	3	PSR 200.1 50/1 1,0 1-WR 21 44-30-S	77252-5913
60	1	1,5	1	3	PSR 200.1 60/1 1,5 1-WR 21 44-30-S	77252-6023
75	1	2	1	3	PSR 200.1 75/1 2,0 1-WR 21 44-30-S	77252-6193
100	1	2,5	1	3	PSR 200.1 100/1 2,5 1-WR 21 44-30-S	77252-6333
125	1	2,5	1	3	PSR 200.1 125/1 2,5 1-WR 21 44-30-S	77252-6433
150	1	2,5	1	3	PSR 200.1 150/1 2,5 1-WR 21 44-30-S	77252-6533
250	1	5	1	3	PSR 200.1 250/1 5,0 1-WR 21 44-30-S	77252-6743



77253-1432

PSR 203 tube-type current transformer

Features:

- Diameter 21 mm², accuracy class 0.5

Primary current	Secondary current	VA	Accuracy class	PU	Product designation	Order no.
125	5	2,5	0,5	3	PSR 203 125/5 2,5 0,5-WR 21 50-30	77253-1432
150	5	2,5	0,5	3	PSR 203 150/5 2,5 0,5-WR 21 50-30	77253-1532
200	5	2,5	0,5	3	PSR 203 200/5 2,5 0,5-WR 21 50-30	77253-1632
250	5	2,5	0,5	3	PSR 203 250/5 2,5 0,5-WR 21 50-30	77253-1732
300	5	5	0,5	3	PSR 203 300/5 5,0 0,5-WR 21 50-30	77253-1842
125	1	2,5	0,5	3	PSR 203 125/1 5 0,5-WR 21 50-30	77253-6432
150	1	2,5	0,5	3	PSR 203 150/1 2,5 0,5-WR 21 50-30	77253-6532
200	1	2,5	0,5	3	PSR 203 200/1 2,5 0,5-WR 21 50-30	77253-6632
250	1	2,5	0,5	3	PSR 203 250/1 2,5 0,5-WR 21 50-30	77253-6732
300	1	5	0,5	3	PSR 203 300/1 5,0 0,5-WR 21 50-30	77253-6842



77253-1333

PSR 203 tube-type current transformer

Features:

- Diameter 21 mm², accuracy class 1

Primary current	Secondary current	VA	Accuracy class	PU	Product designation	Order no.
75	5	2,5	1	3	PSR 203 75/5 2,5 1-WR 21 50-30	77253-1133
80	5	2,5	1	3	PSR 203 80/5 2,5 1-WR 21 50-30	77253-1233
100	5	2,5	1	3	PSR 203 100/5 2,5 1-WR 21 50-30	77253-1333
125	5	2,5	1	3	PSR 203 125/5 2,5 1-WR 21 50-30	77253-1433
150	5	5	1	3	PSR 203 150/5 5 1-WR 21 50-30	77253-1543
200	5	5	1	3	PSR 203 200/5 5,0 1-WR 21 50-30	77253-1643
250	5	5	1	3	PSR 203 250/5 5,0 1-WR 21 50-30	77253-1743
300	5	5	1	3	PSR 203 300/5 5,0 1-WR 21 50-30	77253-1843
75	1	2,5	1	3	PSR 203 75/1 2,5 1-WR 21 50-30	77253-6133
80	1	2,5	1	3	PSR 203 80/1 2,5 1-WR 21 50-30	77253-6233
100	1	2,5	1	3	PSR 203 100/1 2,5 1-WR 21 50-30	77253-6333
125	1	2,5	1	3	PSR 203 125/1 2,5 1-WR 21 50-30	77253-6433
150	1	5	1	3	PSR 203 150/1 5,0 1-WR 21 50-30	77253-6543
200	1	5	1	3	PSR 203 200/1 5,0 1-WR 21 50-30	77253-6643
250	1	5	1	3	PSR 203 250/1 5,0 1-WR 21 50-30	77253-6743
300	1	5	1	3	PSR 203 300/1 5,0 1-WR 21 50-30	77253-6843

Tube-type current transformers

► Technical data, page 326



77254-0922

PSR 205 tube-type current transformer

Features:

- Diameter 21 mm², accuracy class 0.5

Primary current	Secondary current	VA	Accuracy class	PU	Product designation	Order no.
60	5	1,5	0,5	3	PSR 205 60/5 1,5 0,5-WR 21 50-50	77254-1022
75	5	1,5	0,5	3	PSR 205 75/5 1,5 0,5-WR 21 50-50	77254-1122
80	5	2,5	0,5	3	PSR 205 80/5 2,5 0,5-WR 21 50-50	77254-1232
100	5	2,5	0,5	3	PSR 205 100/5 2,5 0,5-WR 21 50-50	77254-1332
125	5	5	0,5	3	PSR 205 125/5 5,0 0,5-WR 21 50-50	77254-1442
150	5	5	0,5	3	PSR 205 150/5 5 0,5-WR 21 50-50	77254-1542
200	5	5	0,5	3	PSR 205 200/5 5 0,5-WR 21 50-50	77254-1642
250	5	5	0,5	3	PSR 205 250/5 5 0,5-WR 21 50-50	77254-1742
300	5	5	0,5	3	PSR 205 300/5 5 0,5-WR 21 50-50	77254-1842
50	1	1,5	0,5	3	PSR 205 50/1 1,5 0,5-WR 21 50-50	77254-5922
60	1	1,5	0,5	3	PSR 205 60/1 1,5 0,5-WR 21 50-50	77254-6022
75	1	1,5	0,5	3	PSR 205 75/1 1,5 0,5-WR 21 50-50	77254-6122
80	1	2,5	0,5	3	PSR 205 80/1 2,5 0,5-WR 21 50-50	77254-6232
100	1	2,5	0,5	3	PSR 205 100/1 2,5 0,5-WR 21 50-50	77254-6332
125	1	5	0,5	3	PSR 205 125/1 5 0,5-WR 21 50-50	77254-6442
150	1	5	0,5	3	PSR 205 150/1 5 0,5-WR 21 50-50	77254-6542
200	1	5	0,5	3	PSR 205 200/1 5 0,5-WR 21 50-50	77254-6642
250	1	5	0,5	3	PSR 205 250/1 5 0,5-WR 21 50-50	77254-6742
300	1	5	0,5	3	PSR 205 300/1 5 0,5-WR 21 50-50	77254-6842



77254-0933

PSR 205 tube-type current transformer

Features:

- Diameter 21 mm², accuracy class 1

Primary current	Secondary current	VA	Accuracy class	PU	Product designation	Order no.
50	5	2,5	1	3	PSR 205 50/5 2,5 1-WR 21 50-50	77254-0933
60	5	2,5	1	3	PSR 205 60/5 2,5 1-WR 21 50-50	77254-1033
75	5	2,5	1	3	PSR 205 75/5 2,5 1-WR 21 50-50	77254-1133
80	5	5	1	3	PSR 205 80/5 5,0 1-WR 21 50-50	77254-1243
100	5	5	1	3	PSR 205 100/5 5,0 1-WR 21 50-50	77254-1343
125	5	5	1	3	PSR 205 125/5 5,0 1-WR 21 50-50	77254-1443
150	5	10	1	3	PSR 205 150/5 10 1-WR 21 50-50	77254-1563
200	5	10	1	3	PSR 205 200/5 10 1-WR 21 50-50	77254-1663
250	5	10	1	3	PSR 205 250/5 10 1-WR 21 50-50	77254-1763
300	5	10	1	3	PSR 205 300/5 10 1-WR 21 50-50	77254-1863
50	1	2,5	1	3	PSR 205 50/1 2,5 1-WR 21 50-50	77254-5933
60	1	2,5	1	3	PSR 205 60/1 2,5 1-WR 21 50-50	77254-6033
75	1	2,5	1	3	PSR 205 75/1 2,5 1-WR 21 50-50	77254-6133
80	1	5	1	3	PSR 205 80/1 5 1-WR 21 50-50	77254-6243
100	1	5	1	3	PSR 205 100/1 5 1-WR 21 50-50	77254-6343
125	1	5	1	3	PSR 205 125/1 5 1-WR 21 50-50	77254-6443
150	1	5	1	3	PSR 205 150/1 5 1-WR 21 50-50	77254-6543
200	1	5	1	3	PSR 205 200/1 5 1-WR 21 50-50	77254-6643
250	1	5	1	3	PSR 205 250/1 5 1-WR 21 50-50	77254-6743
300	1	5	1	3	PSR 205 300/1 5 1-WR 21 50-50	77254-6843



77255-1332

PSR 253 tube-type current transformer

Features:

- Diameter 22.5 mm², accuracy class 0.5

Primary current	Secondary current	VA	Accuracy class	PU	Product designation	Order no.
75	5	1,5	0,5	3	PSR 253 75/5 1,5 0,5-WR 22,5 60-30	77255-1122
80	5	1,5	0,5	3	PSR 253 80/5 1,5 0,5-WR 22,5 60-30	77255-1222
100	5	2,5	0,5	3	PSR 253 100/5 2,5 0,5-WR 22,5 60-30	77255-1332
125	5	2,5	0,5	3	PSR 253 125/5 2,5 0,5-WR 22,5 60-30	77255-1432
150	5	2,5	0,5	3	PSR 253 150/5 2,5 0,5-WR 22,5 60-30	77255-1532
200	5	5	0,5	3	PSR 253 200/5 5,0 0,5-WR 22,5 60-30	77255-1642

Tube-type current transformers

► Technical data, page 326



77255-1332

PSR 253 tube-type current transformer

Features:

- Diameter 22.5 mm², accuracy class 0.5

Primary current	Secondary current	VA	Accuracy class	PU	Product designation	Order no.
250	5	5	0,5	3	PSR 253 250/5 5,0 0,5-WR 22,5 60-30	77255-1742
300	5	5	0,5	3	PSR 253 300/5 5,0 0,5-WR 22,5 60-30	77255-1842
400	5	5	0,5	3	PSR 253 400/5 5,0 0,5-WR 22,5 60-30	77255-1942
500	5	5	0,5	3	PSR 253 500/5 5,0 0,5-WR 22,5 60-30	77255-2042
600	5	5	0,5	3	PSR 253 600/5 5,0 0,5 22,5 60-30	77255-2142
75	1	1,5	0,5	3	PSR 253 75/1 1,5 0,5-WR 22,5 60-30	77255-6122
80	1	1,5	0,5	3	PSR 253 80/1 1,5 0,5-WR 22,5 60-30	77255-6222
100	1	2,5	0,5	3	PSR 253 100/1 2,5 0,5-WR 22,5 60-30	77255-6332
125	1	2,5	0,5	3	PSR 253 125/1 2,5 0,5-WR 22,5 60-30	77255-6432
150	1	2,5	0,5	3	PSR 253 150/1 2,5 0,5-WR 22,5 60-30	77255-6532
200	1	5	0,5	3	PSR 253 200/1 5,0 0,5-WR 22,5 60-30	77255-6642
250	1	5	0,5	3	PSR 253 250/1 5,0 0,5-WR 22,5 60-30	77255-6742
300	1	5	0,5	3	PSR 253 300/1 5,0 0,5-WR 22,5 60-30	77255-6842
400	1	5	0,5	3	PSR 253 400/1 5,0 0,5-WR 22,5 60-30	77255-6942
500	1	5	0,5	3	PSR 253 500/1 5,0 0,5-WR 22,5 60-30	77255-7042
600	1	5	0,5	3	PSR 253 600/1 5,0 0,5-WR 22,5 60-30	77255-7142



77255-1743

PSR 253 tube-type current transformer

Features:

- Diameter 22.5 mm², accuracy class 1

Primary current	Secondary current	VA	Accuracy class	PU	Product designation	Order no.
50	5	1,5	1	3	PSR 253 50/5 1,5 1-WR 22,5 60-30	77255-0923
60	5	2,5	1	3	PSR 253 60/5 2,5 1-WR 22,5 60-30	77255-1033
75	5	2,5	1	3	PSR 253 75/5 2,5 1-WR 22,5 60-30	77255-1133
80	5	2,5	1	3	PSR 253 80/5 2,5 1-WR 22,5 60-30	77255-1233
100	5	5	1	3	PSR 253 100/5 5,0 1-WR 22,5 60-30	77255-1343
125	5	5	1	3	PSR 253 125/5 5,0 1-WR 22,5 60-30	77255-1443
150	5	5	1	3	PSR 253 150/5 5,0 1-WR 22,5 60-30	77255-1543
200	5	5	1	3	PSR 253 200/5 5,0 1-WR 22,5 60-30	77255-1643
250	5	5	1	3	PSR 253 250/5 5,0 1-WR 22,5 60-30	77255-1743
300	5	5	1	3	PSR 253 300/5 5,0 1-WR 22,5 60-30	77255-1843
400	5	5	1	3	PSR 253 400/5 5,0 1-WR 22,5 60-30	77255-1943
500	5	5	1	3	PSR 253 500/5 5,0 1-WR 22,5 60-30	77255-2043
600	5	5	1	3	PSR 253 600/5 5,0 1-WR 22,5 60-30	77255-2143
50	1	1,5	1	3	PSR 253 50/1 1,5 1-WR 22,5 60-30	77255-5923
60	1	2,5	1	3	PSR 253 60/1 2,5 1-WR 22,5 60-30	77255-6033
75	1	2,5	1	3	PSR 253 75/1 2,5 1-WR 22,5 60-30	77255-6133
80	1	2,5	1	3	PSR 253 80/1 2,5 1-WR 22,5 60-30	77255-6233
100	1	5	1	3	PSR 253 100/1 5,0 1-WR 22,5 60-30	77255-6343
125	1	5	1	3	PSR 253 125/1 5 1-WR 22,5 60-30	77255-6443
150	1	5	1	3	PSR 253 150/1 5,0 1-WR 22,5 60-30	77255-6543
200	1	5	1	3	PSR 253 200/1 5,0 1-WR 22,5 60-30	77255-6643
250	1	5	1	3	PSR 253 250/1 5,0 1-WR 22,5 60-30	77255-6743
250	1	10	1	3	PSR 253 250/1 10 1-WR 22,5 60-30	77255-6763
300	1	5	1	3	PSR 253 300/1 5,0 1-WR 22,5 60-30	77255-6843
400	1	5	1	3	PSR 253 400/1 5,0 1-WR 22,5 60-30	77255-6943
500	1	5	1	3	PSR 253 500/1 5,0 1-WR 22,5 60-30	77255-7043
600	1	5	1	3	PSR 253 600/1 5,0 1-WR 22,5 60-30	77255-7143

Tube-type current transformers

► Technical data, page 326



77256-1742

PSR 253/30 tube-type current transformer

Features:

- Diameter 30 mm², accuracy class 0.5

Primary current	Secondary current	VA	Accuracy class	PU	Product designation	Order no.
125	5	5	0,5	3	PSR 253/30 125/5 5 0,5-WR 30 60-30	77256-1442
150	5	5	0,5	3	PSR 253/30 150/5 5 0,5-WR 30 60-30	77256-1542
200	5	5	0,5	3	PSR 253/30 200/5 5 0,5-WR 30 60-30	77256-1642
250	5	5	0,5	3	PSR 253/30 250/5 2,5 0,5-WR 30 60-30	77256-1742
300	5	5	0,5	3	PSR 253/30 300/5 5 0,5-WR 30 60-30	77256-1842
400	5	5	0,5	3	PSR 253/30 400/5 5 0,5-WR 30 60-30	77256-1942
500	5	5	0,5	3	PSR 253/30 500/5 5 0,5-WR 30 60-30	77256-2042
600	5	5	0,5	3	PSR 253/30 600/5 5 0,5-WR 30 60-30	77256-2142
125	1	5	0,5	3	PSR 253/30 125/1 5 0,5-WR 30 60-30	77256-6442
150	1	5	0,5	3	PSR 253/30 150/1 5 0,5-WR 30 60-30	77256-6542
200	1	5	0,5	3	PSR 253/30 200/1 2,5 0,5-WR 30 60-30	77256-6642
250	1	5	0,5	3	PSR 253/30 250/1 2,5 0,5-WR 30 60-30	77256-6742
300	1	5	0,5	3	PSR 253/30 300/1 5 0,5-WR 30 60-30	77256-6842
400	1	5	0,5	3	PSR 253/30 400/1 5 0,5-WR 30 60-30	77256-6942
500	1	5	0,5	3	PSR 253/30 500/1 5 0,5-WR 30 60-30	77256-7042
600	1	5	0,5	3	PSR 253/30 600/1 5 0,5-WR 30 60-30	77256-7142



77256-1743

PSR 253/30 tube-type current transformer

Features:

- Diameter 30 mm², accuracy class 1

Primary current	Secondary current	VA	Accuracy class	PU	Product designation	Order no.
125	5	5	1	3	PSR 253/30 125/5 5 1-WR 30 60-30	77256-1443
150	5	5	1	3	PSR 253/30 150/5 5 1-WR 30 60-30	77256-1543
200	5	5	1	3	PSR 253/30 200/5 5 0 1-WR 30 60-30	77256-1643
250	5	5	1	3	PSR 253/30 250/5 5 0 1-WR 30 60-30	77256-1743
300	5	5	1	3	PSR 253/30 300/5 5 0 1-WR 30 60-30	77256-1843
400	5	5	1	3	PSR 253/30 400/5 5 0 1-WR 30 60-30	77256-1943
500	5	5	1	3	PSR 253/30 500/5 5 1-WR 30 60-30	77256-2043
600	5	5	1	3	PSR 253/30 600/5 5 0 1-WR 30 60-30	77256-2143
1000	5	2,5	1	3	PSR 253/30 1000/5 2,5 1-WR 30 60-30	77256-2433
125	1	5	1	3	PSR 253/30 125/1 5 0 1-WR 30 60-30	77256-6443
150	1	5	1	3	PSR 253/30 150/1 5 0 1-WR 30 60-30	77256-6543
200	1	5	1	3	PSR 253/30 200/1 5 0 1-WR 30 60-30	77256-6643
250	1	5	1	3	PSR 253/30 250/1 5 0 1-WR 30 60-30	77256-6743
300	1	5	1	3	PSR 253/30 300/1 5 0 1-WR 30 60-30	77256-6843
400	1	5	1	3	PSR 253/30 400/1 5 0 1-WR 30 60-30	77256-6943
500	1	5	1	3	PSR 253/30 500/1 5 0 1-WR 30 60-30	77256-7043
600	1	5	1	3	PSR 253/30 600/1 5 0 1-WR 30 60-30	77256-7143

Wound-primary current transformers

► Technical data, page 327



77362-0242

PSW 55

Features:

- Wound-primary current transformer, accuracy class 0.5

Primary current	Secondary current	VA	Accuracy class	PU	Product designation	Order no.
5	5	5	0,5	1	PSW 55 5/5 5,0 0,5 -WW 55-70	77362-0242
10	5	5	0,5	1	PSW 55 10/5 5,0 0,5-WW 55-70	77362-0342
15	5	5	0,5	1	PSW 55 15/5 5,0 0,5-WW 55-70	77362-0442
20	5	5	0,5	1	PSW 55 20/5 5,0 0,5-WW 55-70	77362-0542
25	5	5	0,5	1	PSW 55 25/5 5,0 0,5-WW 55-70	77362-0642
30	5	5	0,5	1	PSW 55 30/5 5,0 0,5-WW 55-70	77362-0742
40	5	5	0,5	1	PSW 55 40/5 5,0 0,5-WW 55-70	77362-0842
5	1	5	0,5	1	PSW 55 5/1 5,0 0,5-WW 55-70	77362-5142
5	1	5	0,5	1	PSW 55 10/1 5,0 0,5-WW 55-70	77362-5242
15	1	5	0,5	1	PSW 55 15/1 5,0 0,5-WW 55-70	77362-5342
20	1	5	0,5	1	PSW 55 20/1 5,0 0,5-WW 55-70	77362-5442
25	1	5	0,5	1	PSW 55 25/1 5,0 0,5-WW 55-70	77362-5542
30	1	5	0,5	1	PSW 55 30/1 5,0 0,5-WW 55-70	77362-5742
40	1	5	0,5	1	PSW 55 40/1 5,0 0,5-WW 55-70	77362-5842



77362-0243

PSW 55

Features:

- Wound-primary current transformer, accuracy class 1

Primary current	Secondary current	VA	Accuracy class	PU	Product designation	Order no.
5	5	5	1	1	PSW 55 5/5 5,0 1-WW 55-70	77362-0243
5	5	10	1	1	PSW 55 5/5 10 1-WW 55-70	77362-0263
10	5	5	1	1	PSW 55 10/5 5,0 1-WW 55-70	77362-0343
10	5	10	1	1	PSW 55 10/5 10 1-WW 55-70	77362-0363
15	5	5	1	1	PSW 55 15/5 5,0 1-WW 55-70	77362-0443
15	5	10	1	1	PSW 55 15/5 10 1-WW 55-70	77362-0463
20	5	5	1	1	PSW 55 20/5 5,0 1-WW 55-70	77362-0543
20	5	10	1	1	PSW 55 20/5 10 1-WW 55-70	77362-0563
25	5	5	1	1	PSW 55 25/5 5,0 1-WW 55-70	77362-0643
25	5	10	1	1	PSW 55 25/5 10 1-WW 55-70	77362-0663
30	5	5	1	1	PSW 55 30/5 5,0 1-WW 55-70	77362-0743
30	5	10	1	1	PSW 55 30/5 10 1-WW 55-70	77362-0763
40	5	5	1	1	PSW 55 40/5 5,0 1-WW 55-70	77362-0843
40	5	10	1	1	PSW 55 40/5 10 1-WW 55-70	77362-0863
5	1	5	1	1	PSW 55 5/1 5,0 1-WW 55-70	77362-5143
5	1	10	1	1	PSW 55 5/1 10 1-WW 55-70	77362-5163
5	1	5	1	1	PSW 55 10/1 5,0 1-WW 55-70	77362-5243
5	1	10	1	1	PSW 55 10/1 10 1-WW 55-70	77362-5263
15	1	5	1	1	PSW 55 15/1 5,0 1-WW 55-70	77362-5343
15	1	10	1	1	PSW 55 15/1 10 1-WW 55-70	77362-5363
20	1	5	1	1	PSW 55 20/1 5,0 1-WW 55-70	77362-5443
20	1	10	1	1	PSW 55 20/1 10 1-WW 55-70	77362-5463
25	1	5	1	1	PSW 55 25/1 5,0 1-WW 55-70	77362-5543
25	1	10	1	1	PSW 55 25/1 10 1-WW 55-70	77362-5563
30	1	5	1	1	PSW 55 30/1 5,0 1-WW 55-70	77362-5743
30	1	10	1	1	PSW 55 30/1 10 1-WW 55-70	77362-5763
40	1	5	1	1	PSW 55 40/1 5,0 1-WW 55-70	77362-5843
40	1	10	1	1	PSW 55 40/1 10 1-WW 55-70	77362-5863

Wound-primary current transformers

► Technical data, page 327



77364-6043

PSW 70

Features:

- Wound-primary current transformer, accuracy class 0.5

Primary current	Secondary current	VA	Accuracy class	PU	Product designation	Order no.
50	5	5	0,5	1	PSW 70 50/5 5,0 0,5-70	77364-0942
60	5	5	0,5	1	PSW 70 60/5 5,0 0,5-70	77364-1042
75	5	5	0,5	1	PSW 70 75/5 5,0 0,5-70	77364-1142
80	5	5	0,5	1	PSW 70 80/5 5,0 0,5-70	77364-1242
100	5	5	0,5	1	PSW 70 100/5 5,0 0,5-70	77364-1342
125	5	5	0,5	1	PSW 70 125/5 5,0 0,5-70	77364-1442
150	5	5	0,5	1	PSW 70 150/5 5,0 0,5-70	77364-1542
200	5	5	0,5	1	PSW 70 200/5 5,0 0,5-70	77364-1642
50	1	5	0,5	1	PSW 70 50/1 5,0 0,5-WW 55-70	77364-5942
60	1	5	0,5	1	PSW 70 60/1 5,0 0,5-70	77364-6042
75	1	5	0,5	1	PSW 70 75/1 5,0 0,5-70	77364-6142
80	1	5	0,5	1	PSW 70 80/1 5,0 0,5-70	77364-6242
100	1	5	0,5	1	PSW 70 100/1 5,0 0,5-70	77364-6342
125	1	5	0,5	1	PSW 70 125/1 5,0 0,5-70	77364-6442
150	1	5	0,5	1	PSW 70 150/1 5,0 0,5-70	77364-6542
200	1	5	0,5	1	PSW 70 200/1 5,0 0,5-70	77364-6642



77364-0843

PSW 70

Features:

- Wound-primary current transformer, accuracy class 1

Primary current	Secondary current	VA	Accuracy class	PU	Product designation	Order no.
50	5	5	1	1	PSW 70 50/5 5,0 1-70	77364-0943
50	5	10	1	1	PSW 70 50/5 10 1-70	77364-0963
60	5	5	1	1	PSW 70 60/5 5,0 1-70	77364-1043
60	5	10	1	1	PSW 70 60/5 10 1-70	77364-1063
75	5	5	1	1	PSW 70 75/5 5,0 1-70	77364-1143
75	5	10	1	1	PSW 70 75/5 10 1-70	77364-1163
80	5	5	1	1	PSW 70 80/5 5,0 1-70	77364-1243
80	5	10	1	1	PSW 70 80/5 10 1-70	77364-1263
100	5	5	1	1	PSW 70 100/5 5,0 1-70	77364-1343
100	5	10	1	1	PSW 70 100/5 10 1-70	77364-1363
125	5	5	1	1	PSW 70 125/5 5,0 1-70	77364-1443
125	5	10	1	1	PSW 70 125/5 10 1-70	77364-1463
150	5	5	1	1	PSW 70 150/5 5,0 1-70	77364-1543
150	5	10	1	1	PSW 70 150/5 10 1-70	77364-1563
200	5	5	1	1	PSW 70 200/5 5,0 1-70	77364-1643
200	5	10	1	1	PSW 70 200/5 10 1-70	77364-1663
50	1	5	1	1	PSW 70 50/1 5,0 1-WW 55-70	77364-5943
50	1	10	1	1	PSW 70 50/1 10 1-70	77364-5963
60	1	5	1	1	PSW 70 60/1 5,0 1-70	77364-6043
60	1	10	1	1	PSW 70 60/1 10 1-70	77364-6063
75	1	5	1	1	PSW 70 75/1 5,0 1-70	77364-6143
75	1	10	1	1	PSW 70 75/1 10 1-70	77364-6163
80	1	5	1	1	PSW 70 80/1 5,0 1-70	77364-6243
80	1	10	1	1	PSW 70 80/1 10 1-70	77364-6263
100	1	5	1	1	PSW 70 100/5 5VA Kl.1-70	77364-6343
100	1	10	1	1	PSW 70 100/1 10 1-70	77364-6363
125	1	5	1	1	PSW 70 125/1 5,0 1-70	77364-6443
125	1	10	1	1	PSW 70 125/1 10 1-70	77364-6463
150	1	5	1	1	PSW 70 150/1 5,0 1-70	77364-6543
150	1	10	1	1	PSW 70 150/1 10 1-70	77364-6563
200	1	5	1	1	PSW 70 200/1 5,0 1-70	77364-6643
200	1	10	1	1	PSW 70 200/1 10 1-70	77364-6663

Summary current transformers

► Technical data, page 327



77470-3442

PSS 2

Features:

- Summary current transformer for 2 main circuits, accuracy class 0.5

Primary current	Secondary current	VA	Accuracy class	PU	Product designation	Order no.
2x5	5	5	0,5	1	PSS 2 5+5/5 5,0 0,5-WS 2 KREISE	77470-3442
2x5	5	10	0,5	1	PSS 2 5+5/5 10 0,5-WS 2 KREISE	77470-3462
2x5	5	15	0,5	1	PSS 2 5+5/5 15 0,5-WS 2 KREISE	77470-3472
2x1	5	10	0,5	1	PSS 2 1+1/5 10 0,5-WS 2 KREISE	77470-3962
2x1	5	15	0,5	1	PSS 2 1+1/5 15 0,5-WS 2 KREISE	77470-3972
2x5	1	5	0,5	1	PSS 2 5+5/1 5,0 0,5-WS 2 KREISE	77470-8742
2x5	1	10	0,5	1	PSS 2 5+5/1 10 0,5-WS 2 KREISE	77470-8762
2x5	1	15	0,5	1	PSS 2 5+5/1 15 0,5-WS 2 KREISE	77470-8772
2x1	1	5	0,5	1	PSS 2 1+1/1 5,0 0,5-WS 2 KREISE	77470-8942
2x1	1	10	0,5	1	PSS 2 1+1/1 10 0,5-WS 2 KREISE	77470-8962
2x1	1	15	0,5	1	PSS 2 1+1/1 15 0,5-WS 2 KREISE	77470-8972



77470-3443

PSS 2

Features:

- Summary current transformer for 2 main circuits, accuracy class 1

Primary current	Secondary current	VA	Accuracy class	PU	Product designation	Order no.
2x5	5	5	1	1	PSS 2 5+5/5 5,0 1-WS 2 KREISE	77470-3443
2x5	5	10	1	1	PSS 2 5+5/5 10 1-WS 2 KREISE	77470-3463
2x5	5	15	1	1	PSS 2 5+5/5 15 1-WS 2 KREISE	77470-3473
2x1	5	10	1	1	PSS 2 1+1/5 10 0,5-WS 2 KREISE	77470-3963
2x1	5	15	1	1	PSS 2 1+1/5 15 1-WS 2 KREISE	77470-3973
2x5	1	5	1	1	PSS 2 5+5/1 5,0 1-WS 2 KREISE	77470-8743
2x5	1	10	1	1	PSS 2 5+5/1 10 1-WS 2 KREISE	77470-8763
2x5	1	15	1	1	PSS 2 5+5/1 15 1-WS 2 KREISE	77470-8773
2x1	1	5	1	1	PSS 2 1+1/1 5,0 1-WS 2 KREISE	77470-8943
2x1	1	10	1	1	PSS 2 1+1/1 10 1-WS 2 KREISE HW 1:1	77470-8963
2x1	1	15	1	1	PSS 2 1+1/1 15 1-WS 2 KREISE	77470-8973

PGSU

Features:

- Summary current transformer for 3 to 10 main circuits, accuracy class 0.5

Primary current	Secondary current	VA	Accuracy class	PU	Product designation	Order no.
3 x 5	5	10	0,5	1	PGSU 3 5+5+5/5 10 0,5	77844-3562
4 x 5	5	10	0,5	1	PGSU 4 5+5+5+5/5 10 0,5	77844-3662
5 x 5	5	10	0,5	1	PGSU 5 5+5+5+5+5/5 10 0,5	77844-3762
6 x 5	5	10	0,5	1	PGSU 6 5+5+5+5+5+5/5 10 0,5	77844-3862
7 x 5	5	10	0,5	1	PGSU 7 5+5+5+5+5+5+5/5 10 0,5	77844-4662
8 x 5	5	10	0,5	1	PGSU 8 5+5+5+5+5+5+5+5/5 10 0,5	77844-4762
9 x 5	5	10	0,5	1	PGSU 9 5+5+5+5+5+5+5+5+5/5 10 0,5	77844-4862
10 x 5	5	10	0,5	1	PGSU 10 5+5+5+5+5+5+5+5+5+5/5 10 0,5	77844-4962
3 x 5	1	10	0,5	1	PGSU 3 1+1+1/1 10 0,5	77844-9062
4 x 5	1	10	0,5	1	PGSU 4 1+1+1+1/1 10 0,5	77844-9162
5 x 5	1	10	0,5	1	PGSU 5 1+1+1+1+1/1 10 0,5	77844-9262
6 x 5	1	10	0,5	1	PGSU 6 1+1+1+1+1+1/1 10 0,5	77844-9362
7 x 5	1	10	0,5	1	PGSU 7 1+1+1+1+1+1+1/1 10 0,5	77844-9462
8 x 5	1	10	0,5	1	PGSU 8 1+1+1+1+1+1+1+1/1 10 0,5	77844-9762
9 x 5	1	10	0,5	1	PGSU 9 1+1+1+1+1+1+1+1+1/1 10 0,5	77844-9862
10 x 5	1	10	0,5	1	PGSU 10 1+1+1+1+1+1+1+1+1+1/1 10 0,5	77844-9962

Summary current transformers

► Technical data, page 327

PGSU

Features:

- Summary current transformer for 3 to 10 main circuits, accuracy class 1

Primary current	Secondary current	VA	Accuracy class	PU	Product designation	Order no.
3 x 5	5	10	1	1	PGSU 3 5+5+5/5 10 1	77844-3563
4 x 5	5	10	1	1	PGSU 4 5+5+5+5/5 10 1	77844-3663
5 x 5	5	10	1	1	PGSU 5 5+5+5+5+5/5 10 1	77844-3763
6 x 5	5	10	1	1	PGSU 6 5+5+5+5+5+5/5 10 1	77844-3863
7 x 5	5	10	1	1	PGSU 7 5+5+5+5+5+5+5/5 10 1	77844-4663
8 x 5	5	10	1	1	PGSU 8 5+5+5+5+5+5+5+5/5 10 1	77844-4763
9 x 5	5	10	1	1	PGSU 9 5+5+5+5+5+5+5+5+5/5 10 1	77844-4863
10 x 5	5	10	1	1	PGSU 10 5+5+5+5+5+5+5+5+5+5/5 10 1	77844-4963
3 x 5	1	10	1	1	PGSU 3 1+1+1/1 10 1	77844-9063
4 x 5	1	10	1	1	PGSU 4 1+1+1+1/1 10 1	77844-9163
5 x 5	1	10	1	1	PGSU 5 1+1+1+1+1/1 10 1	77844-9263
6 x 5	1	10	1	1	PGSU 6 1+1+1+1+1+1/1 10 1	77844-9363
7 x 5	1	10	1	1	PGSU 7 1+1+1+1+1+1+1/1 10 1	77844-9463
8 x 5	1	10	1	1	PGSU 8 1+1+1+1+1+1+1+1/1 10 1	77844-9763
9 x 5	1	10	1	1	PGSU 9 1+1+1+1+1+1+1+1+1/1 10 1	77844-9863
10 x 5	1	10	1	1	PGSU 10 1+1+1+1+1+1+1+1+1+1/1 10 1	77844-9963

PTB-compliant current transformers for billing purposes

► Technical data, page 320



77508-1132

EPSA 315

Features:

- Window-type current transformer, PTB-compliant
- Primary busbar 30 x 10 mm, supplied with secondary terminal cover (SKLAD)

Primary current	Secondary current	VA	Accuracy class	PU	Product designation	Order no.
75	5	1,5	0,5s	3	EPSA 315 75/5 1,5 0,5S-WA 30X10 60-55	77508-1126
75	5	2,5	0,5	3	EPSA 315 75/5 2,5 0,5-WA 30X10 60-55	77508-1132
100	5	1,5	0,5s	3	EPSA 315 100/5 1,5 0,5S-WA 30X10 60-55	77508-1326
100	5	2,5	0,2	3	EPSA 315 100/5 2,5 0,2-WA 30X10 60-55	77508-1331
100	5	2,5	0,5	3	EPSA 315 100/5 2,5 0,5-WA 30X10 60-55	77508-1332
250	1	15	1	3	PSA 315 250/1 15 1-WA 30X10 60-55	77108-6773
100	5	2,5	0,5s	3	EPSA 315 100/5 2,5 0,5S-WA 30X10 60-55	77508-1336
125	5	1,5	0,2	3	EPSA 315 125/5 1,5 0,2-WA 30X10 60-55	77508-1421
125	5	2,5	0,2	3	EPSA 315 125/5 2,5 0,2-WA 30X10 60-55	77508-1431
125	5	2,5	0,5	3	EPSA 315 125/5 2,5 0,5-WA 30X10 60-55	77508-1432
125	5	2,5	0,5s	3	EPSA 315 125/5 2,5 0,5S-WA 30X10 60-55	77508-1436
125	5	5	0,5	3	EPSA 315 125/5 5,0 0,5-WA 30X10 60-55	77508-1442
150	5	2,5	0,5	3	EPSA 315 150/5 2,5 0,5-WA 30X10 60-55	77508-1532
150	5	2,5	0,5s	3	EPSA 315 150/5 2,5 0,5S-WA 30X10 60-55	77508-1536
150	5	5	0,2	3	EPSA 315 150/5 5,0 0,2-WA 30X10 60-55	77508-1541
150	5	5	0,5	3	EPSA 315 150/5 5,0 0,5-WA 30X10 60-55	77508-1542
150	5	5	0,5s	3	EPSA 315 150/5 5,0 0,5S-WA 30X10 60-55	77508-1546
150	5	10	0,5	3	EPSA 315 150/5 10 0,5-WA 30X10 60-55	77508-1562
200	5	2,5	0,2	3	EPSA 315 200/5 2,5 0,2-WA 30X10 60-55	77508-1631
200	5	2,5	0,5	3	EPSA 315 200/5 2,5 0,5-WA 30X10 60-55	77508-1632
200	5	2,5	0,5s	3	EPSA 315 200/5 2,5 0,5S-WA 30X10 60-55	77508-1636
200	5	5	0,2	3	EPSA 315 200/5 5,0 0,2-WA 30X10 60-55	77508-1641
200	5	5	0,5	3	EPSA 315 200/5 5,0 0,5-WA 30X10 60-55	77508-1642
200	5	5	0,5s	3	EPSA 315 200/5 5,0 0,5S-WA 30X10 60-55	77508-1646
200	5	10	0,5	3	EPSA 315 200/5 10 0,5-WA 30X10 60-55	77508-1662
200	5	15	0,5	3	EPSA 315 200/5 15 0,5-WA 30X10 60-55	77508-1672
250	5	2,5	0,2	3	EPSA 315 250/5 2,5 0,2-WA 30X10 60-55	77508-1731
250	5	2,5	0,5	3	EPSA 315 250/5 2,5 0,5-WA 30X10 60-55	77508-1732
250	5	2,5	0,5s	3	EPSA 315 250/5 2,5 0,5S-WA 30X10 60-55	77508-1736
250	5	5	0,2	3	EPSA 315 250/5 5,0 0,2-WA 30X10 60-55	77508-1741
250	5	5	0,5	3	EPSA 315 250/5 5,0 0,5-WA 30X10 60-55	77508-1742
250	5	5	0,5s	3	EPSA 315 250/5 5,0 0,5S-WA 30X10 60-55	77508-1746
250	5	10	0,5	3	EPSA 315 250/5 10 0,5-WA 30X10 60-55	77508-1762
250	5	10	0,5s	3	EPSA 315 250/5 10 0,5S-WA 30X10 60-55	77508-1766
250	5	15	0,5	3	EPSA 315 250/5 15 0,5-WA 30X10 60-55	77508-1772
300	5	2,5	0,2	3	EPSA 315 300/5 2,5 0,2-WA 30X10 60-55	77508-1831
300	5	2,5	0,5	3	EPSA 315 300/5 2,5 0,5-WA 30X10 60-55	77508-1832
300	5	2,5	0,5s	3	EPSA 315 300/5 2,5 0,5S-WA 30X10 60-55	77508-1836
300	5	5	0,2	3	EPSA 315 300/5 5,0 0,2-WA 30X10 60-55	77508-1841
300	5	5	0,5	3	EPSA 315 300/5 5,0 0,5-WA 30X10 60-55	77508-1842
300	5	5	0,5s	3	EPSA 315 300/5 5,0 0,5S-WA 30X10 60-55	77508-1846
300	5	10	0,5	3	EPSA 315 300/5 10 0,5-WA 30X10 60-55	77508-1862
300	5	10	0,5s	3	EPSA 315 300/5 10 0,5S-WA 30X10 60-55	77508-1866
300	5	15	0,5	3	EPSA 315 300/5 15 0,5-WA 30X10 60-55	77508-1872
400	5	2,5	0,2	3	EPSA 315 400/5 2,5 0,2-WA 30X10 60-55	77508-1931
400	5	2,5	0,5	3	EPSA 315 400/5 2,5 0,5-WA 30X10 60-55	77508-1932
400	5	2,5	0,5s	3	EPSA 315 400/5 2,5 0,5S-WA 30X10 60-55	77508-1936
400	5	5	0,2	3	EPSA 315 400/5 5,0 0,2-WA 30X10 60-55	77508-1941
400	5	5	0,5	3	EPSA 315 400/5 5,0 0,5-WA 30X10 60-55	77508-1942
400	5	5	0,5s	3	EPSA 315 400/5 5,0 0,5S-WA 30X10 60-55	77508-1946
400	5	10	0,2	3	EPSA 315 400/5 10 0,2-WA 30X10 60-55	77508-1961
400	5	10	0,5	3	EPSA 315 400/5 10 0,5-WA 30X10 60-55	77508-1962
400	5	10	0,5s	3	EPSA 315 400/5 10 0,5S-WA 30X10 60-55	77508-1966
400	5	15	0,2	3	EPSA 315 400/5 15 0,2-WA 30X10 60-55	77508-1971
400	5	15	0,5	3	EPSA 315 400/5 15 0,5-WA 30X10 60-55	77508-1972

PTB-compliant current transformers for billing purposes

► Technical data, page 320



77508-1132

EPSA 315

Features:

- Window-type current transformer, PTB-compliant
- Primary busbar 30 x 10 mm, supplied with secondary terminal cover (SKLAD)

Primary current	Secondary current	VA	Accuracy class	PU	Product designation	Order no.
400	5	15	0,5s	3	EPSA 315 400/5 15 0,5S-WA 30X10 60-55	77508-1976
500	5	2,5	0,2	3	EPSA 315 500/5 2,5 0,2-WA 30X10 60-55	77508-2031
500	5	2,5	0,5	3	EPSA 315 500/5 2,5 0,5-WA 30X10 60-55	77508-2032
500	5	2,5	0,5s	3	EPSA 315 500/5 2,5 0,5S-WA 30X10 60-55	77508-2036
500	5	5	0,2	3	EPSA 315 500/5 5,0 0,2-WA 30X10 60-55	77508-2041
500	5	5	0,5	3	EPSA 315 500/5 5,0 0,5-WA 30X10 60-55	77508-2042
500	5	5	0,5s	3	EPSA 315 500/5 5,0 0,5S-WA 30X10 60-55	77508-2046
500	5	10	0,2	3	EPSA 315 500/5 10 0,2-WA 30X10 60-55	77508-2061
500	5	10	0,5	3	EPSA 315 500/5 10 0,5-WA 30X10 60-55	77508-2062
500	5	10	0,5s	3	EPSA 315 500/5 10 0,5S-WA 30X10 60-55	77508-2066
500	5	15	0,2	3	EPSA 315 500/5 15 0,2-WA 30X10 60-55	77508-2071
500	5	15	0,5	3	EPSA 315 500/5 15 0,5-WA 30X10 60-55	77508-2072
500	5	15	0,5s	3	EPSA 315 500/5 15 0,5S-WA 30X10 60-55	77508-2076
600	5	2,5	0,2	3	EPSA 315 600/5 2,5 0,2-WA 30X10 60-55	77508-2131
600	5	2,5	0,5	3	EPSA 315 600/5 2,5 0,5-WA 30X10 60-55	77508-2132
600	5	2,5	0,5s	3	EPSA 315 600/5 2,5 0,5S-WA 30X10 60-55	77508-2136
600	5	5	0,2	3	EPSA 315 600/5 5,0 0,2-WA 30X10 60-55	77508-2141
600	5	5	0,5	3	EPSA 315 600/5 5,0 0,5-WA 30X10 60-55	77508-2142
600	5	5	0,5s	3	EPSA 315 600/5 5,0 0,5S-WA 30X10 60-55	77508-2146
600	5	10	0,2	3	EPSA 315 600/5 10 0,2-WA 30X10 60-55	77508-2161
600	5	10	0,5	3	EPSA 315 600/5 10 0,5-WA 30X10 60-55	77508-2162
600	5	10	0,5s	3	EPSA 315 600/5 10 0,5S-WA 30X10 60-55	77508-2166
600	5	15	0,2	3	EPSA 315 600/5 15 0,2-WA 30X10 60-55	77508-2171
600	5	15	0,5	3	EPSA 315 600/5 15 0,5-WA 30X10 60-55	77508-2172
600	5	15	0,5s	3	EPSA 315 600/5 15 0,5S-WA 30X10 60-55	77508-2176



77511-2142

EPSA 415

Features:

- Window-type current transformer, PTB-compliant
- Primary busbar 40 x 12 mm (30 x 25), supplied with secondary terminal cover (SKLAD)

Primary current	Secondary current	VA	Accuracy class	PU	Product designation	Order no.
200	5	2,5	0,5	3	EPSA 415 200/5 2,5 0,5-WA 40x12 60-55	77511-1632
200	5	5	0,5	3	EPSA 415 200/5 5,0 0,5-WA 40X10 60-55	77511-1642
250	5	2,5	0,5	3	EPSA 415 250/5 2,5 0,5-WA 40x12 60-55	77511-1732
250	5	2,5	0,5s	3	EPSA 415 250/5 2,5 0,5s-WA 40X10 60-55	77511-1736
250	5	5	0,5	3	EPSA 415 250/5 5,0 0,5-WA 40X10 60-55	77511-1742
250	5	5	0,5s	3	EPSA 415 250/5 5,0 0,5s-WA 40X10 60-55	77511-1746
300	5	2,5	0,5	3	EPSA 415 300/5 2,5 0,5-WA 40x12 60-55	77511-1832
300	5	2,5	0,5s	3	EPSA 415 300/5 2,5 0,5s-WA 40X10 60-55	77511-1836
300	5	5	0,5	3	EPSA 415 300/5 5,0 0,5-WA 40X12 60-55	77511-1842
300	5	5	0,5s	3	EPSA 415 300/5 5,0 0,5s-WA 40X12 60-55	77511-1846
300	5	10	0,5	3	EPSA 415 300/5 10 0,5-WA 40X12 60-55	77511-1862
400	5	2,5	0,2	3	EPSA 415 400/5 2,5 0,2-WA 40x12 60-55	77511-1931
400	5	2,5	0,5	3	EPSA 415 400/5 2,5 0,5-WA 40x12 60-55	77511-1932
400	5	2,5	0,5s	3	EPSA 415 400/5 2,5 0,5s-WA 40X10 60-55	77511-1936
400	5	5	0,2	3	EPSA 415 400/5 5,0 0,2-WA 40X10 60-55	77511-1941
400	5	5	0,5	3	EPSA 415 400/5 5,0 0,5-WA 40X12 60-55	77511-1942
400	5	5	0,5s	3	EPSA 415 400/5 5,0 0,5s-WA 40X12 60-55	77511-1946
400	5	10	0,5	3	EPSA 415 400/5 10 0,5-WA 40X12 60-55	77511-1962
400	5	10	0,5s	3	EPSA 415 400/5 10 0,5s-WA 40X12 60-55	77511-1966
500	5	2,5	0,2	3	EPSA 415 500/5 2,5 0,2-WA 40x12 60-55	77511-2031
500	5	2,5	0,5	3	EPSA 415 500/5 2,5 0,5-WA 40x12 60-55	77511-2032
500	5	2,5	0,5s	3	EPSA 415 500/5 2,5 0,5s-WA 40X10 60-55	77511-2036
500	5	5	0,2	3	EPSA 415 500/5 5,0 0,2-WA 40X12 60-55	77511-2041
500	5	5	0,5	3	EPSA 415 500/5 5,0 0,5-WA 40X12 60-55	77511-2042

PTB-compliant current transformers for billing purposes

► Technical data, page 320



77511-2142

EPSA 415

Features:

- Window-type current transformer, PTB-compliant
- Primary busbar 40 x 12 mm (30 x 25), supplied with secondary terminal cover (SKLAD)

Primary current	Secondary current	VA	Accuracy class	PU	Product designation	Order no.
500	5	5	0,5s	3	EPSA 415 500/5 5,0 0,5s-WA 40X12 60-55	77511-2046
500	5	10	0,5	3	EPSA 415 500/5 10 0,5-WA 40X12 60-55	77511-2062
500	5	10	0,5s	3	EPSA 415 500/5 10 0,5S-WA 40X12 60-55	77511-2066
600	5	2,5	0,2	3	EPSA 415 600/5 2,5 0,2-WA 40x12 60-55	77511-2131
600	5	2,5	0,5	3	EPSA 415 600/5 2,5 0,5-WA 40x12 60-55	77511-2132
600	5	2,5	0,5s	3	EPSA 415 600/5 2,5 0,5s-WA 40X10 60-55	77511-2136
600	5	5	0,2	3	EPSA 415 600/5 5,0 0,2-WA 40X10 60-55	77511-2141
600	5	5	0,5	3	EPSA 415 600/5 5,0 0,5-WA 40X12 60-55	77511-2142
600	5	5	0,5s	3	EPSA 415 600/5 5,0 0,5s-WA 40X12 60-55	77511-2146
600	5	10	0,5	3	EPSA 415 600/5 10 0,5-WA 40X12 60-55	77511-2162
600	5	10	0,5s	3	EPSA 415 600/5 10 0,5s-WA 40X12 60-55	77511-2166
600	5	15	0,5	3	EPSA 415 600/5 15 0,5-WA 40X12 60-55	77511-2172



77512-1942

EPSA 417.1

Features:

- Window-type current transformer, PTB-compliant
- Primary busbar 40 x 12 mm (30 x 30), supplied with secondary terminal cover (SKLAD)

Primary current	Secondary current	VA	Accuracy class	PU	Product designation	Order no.
150	5	2,5	0,5	3	EPSA 417.1 150/5 2,5 0,5-WA 40X12 70-55	77512-1532
150	5	2,5	0,5s	3	EPSA 417.1 150/5 2,5 0,5S-WA 40X12 70-55	77512-1536
150	5	5	0,5s	3	EPSA 417.1 150/5 5,0 0,5S-WA 40X12 70-55	77512-1546
150	5	9	0,5	3	EPSA 417.1 150/5 2,5 0,5s	77512-1592
200	5	2,5	0,2	3	EPSA 417.1 200/5 2,5 0,2-WA 40X12 70-55	77512-1631
200	5	2,5	0,5	3	EPSA 417.1 200/5 2,5 0,5-WA 40X12 70-55	77512-1632
200	5	2,5	0,5s	3	EPSA 417.1 200/5 2,5 0,5S-WA 40X12 70-55	77512-1636
200	5	5	0,5s	3	EPSA 417.1 200/5 5,0 0,5S-WA 40X12 70-55	77512-1646
250	5	2,5	0,2	3	EPSA 417.1 250/5 2,5 0,2-WA 40X12 70-55	77512-1731
250	5	2,5	0,5	3	EPSA 417.1 250/5 2,5 0,5-WA 40X12 70-55	77512-1732
250	5	2,5	0,5s	3	EPSA 417.1 250/5 2,5 0,5S-WA 40X12 70-55	77512-1736
250	5	5	0,5	3	EPSA 417.1 250/5 5,0 0,5-WA 40X12 70-55	77512-1742
250	5	5	0,5s	3	EPSA 417.1 250/5 5,0 0,5S-WA 40X12 70-55	77512-1746
250	5	10	0,5s	3	EPSA 417.1 250/5 10 0,5S-WA 40X12 70-55	77512-1766
300	5	2,5	0,2	3	EPSA 417.1 300/5 2,5 0,2-WA 40X12 70-55	77512-1831
300	5	2,5	0,5	3	EPSA 417.1 300/5 2,5 0,5-WA 40X12 70-55	77512-1832
300	5	2,5	0,5s	3	EPSA 417.1 300/5 2,5 0,5S-WA 40X12 70-55	77512-1836
300	5	5	0,2	3	EPSA 417.1 300/5 5,0 0,2-WA 40X12 70-55	77512-1841
300	5	5	0,5	3	EPSA 417.1 300/5 5,0 0,5-WA 40X12 70-55	77512-1842
300	5	5	0,5s	3	EPSA 417.1 300/5 5,0 0,5S-WA 40X12 70-55	77512-1846
300	5	10	0,5	3	EPSA 417.1 300/5 10 0,5-WA 40X12 70-55	77512-1862
300	5	10	0,5s	3	EPSA 417.1 300/5 10 0,5S-WA 40X12 70-55	77512-1866
400	5	2,5	0,2	3	EPSA 417.1 400/5 2,5 0,2-WA 40X12 70-55	77512-1931
400	5	2,5	0,5	3	EPSA 417.1 400/5 2,5 0,5-WA 40X12 70-55	77512-1932
400	5	2,5	0,5s	3	EPSA 417.1 400/5 2,5 0,5S-WA 40X12 70-55	77512-1936
400	5	5	0,2	3	EPSA 417.1 400/5 5,0 0,2-WA 40X12 70-55	77512-1941
400	5	5	0,5	3	EPSA 417.1 400/5 5,0 0,5-WA 40X12 70-55	77512-1942
400	5	5	0,5s	3	EPSA 417.1 400/5 5,0 0,5S-WA 40X12 70-55	77512-1946
400	5	10	0,5	3	EPSA 417.1 400/5 10 0,5-WA 40X12 70-55	77512-1962
400	5	10	0,5s	3	EPSA 417.1 400/5 10 0,5s-WA 40X12 70-55	77512-1966
400	5	15	0,5s	3	EPSA 417.1 400/5 15 0,5s-WA 40X12 70-55	77512-1976
500	5	2,5	0,2	3	EPSA 417.1 500/5 2,5 0,2-WA 40X12 70-55	77512-2031
500	5	2,5	0,5	3	EPSA 417.1 500/5 2,5 0,5-WA 40X12 70-55	77512-2032
500	5	2,5	0,5s	3	EPSA 417.1 500/5 2,5 0,5S-WA 40X12 70-55	77512-2036
500	5	5	0,2	3	EPSA 417.1 500/5 5,0 0,2-WA 40X12 70-55	77512-2041
500	5	5	0,5	3	EPSA 417.1 500/5 5,0 0,5-WA 40X12 70-55	77512-2042
500	5	5	0,5s	3	EPSA 417.1 500/5 5,0 0,5S-WA 40X12 70-55	77512-2046

PTB-compliant current transformers for billing purposes

► Technical data, page 320



77512-1942

EPSA 417.1

Features:

- Window-type current transformer, PTB-compliant
- Primary busbar 40 x 12 mm (30 x 30), supplied with secondary terminal cover (SKLAD)

Primary current	Secondary current	VA	Accuracy class	PU	Product designation	Order no.
500	5	10	0,5	3	EPSA 417.1 500/5 10 0,5-WA 40X12 70-55	77512-2062
500	5	10	0,5s	3	EPSA 417.1 500/5 10 0,5S-WA 40X12 70-55	77512-2066
500	5	15	0,5s	3	EPSA 417.1 500/5 15 0,5S-WA 40X12 70-55	77512-2076
600	5	2,5	0,2	3	EPSA 417.1 600/5 2,5 0,2-WA 40X12 70-55	77512-2131
600	5	2,5	0,5	3	EPSA 417.1 600/5 2,5 0,5-WA 40X12 70-55	77512-2132
600	5	2,5	0,5s	3	EPSA 417.1 600/5 2,5 0,5S-WA 40X12 70-55	77512-2136
600	5	5	0,2	3	EPSA 417.1 600/5 5,0 0,2-WA 40X12 70-55	77512-2141
600	5	5	0,5	3	EPSA 417.1 600/5 5,0 0,5-WA 40X12 70-55	77512-2142
600	5	5	0,5s	3	EPSA 417.1 600/5 5,0 0,5S-WA 40X12 70-55	77512-2146
600	5	10	0,5	3	EPSA 417.1 600/5 10 0,5-WA 40X12 70-55	77512-2162
600	5	10	0,5s	3	EPSA 417.1 600/5 10 0,5S-WA 40X12 70-55	77512-2166
600	5	15	0,5	3	EPSA 417.1 600/5 15 0,5-WA 40X12 70-55	77512-2172
600	5	15	0,5s	3	EPSA 417.1 600/5 15 0,5S-WA 40X12 70-55	77512-2176
750	5	2,5	0,2	3	EPSA 417.1 750/5 2,5 0,2-WA 40X12 70-55	77512-2231
750	5	2,5	0,5	3	EPSA 417.1 750/5 2,5 0,5-WA 40X12 70-55	77512-2232
750	5	2,5	0,5s	3	EPSA 417.1 750/5 2,5 0,5S-WA 40X12 70-55	77512-2236
750	5	5	0,2	3	EPSA 417.1 750/5 5,0 0,2-WA 40X12 70-55	77512-2241
750	5	5	0,5	3	EPSA 417.1 750/5 5,0 0,5-WA 40X12 70-55	77512-2242
750	5	5	0,5s	3	EPSA 417.1 750/5 5,0 0,5S-WA 40X12 70-55	77512-2246
750	5	10	0,5	3	EPSA 417.1 750/5 10 0,5-WA 40X12 70-55	77512-2262
750	5	10	0,5s	3	EPSA 417.1 750/5 10 0,5S-WA 40X12 70-55	77512-2266
750	5	15	0,5	3	EPSA 417.1 750/5 15 0,5-WA 40X12 70-55	77512-2272
750	5	15	0,5s	3	EPSA 417.1 750/5 15 0,5S-WA 40X12 70-55	77512-2276
800	5	2,5	0,2	3	EPSA 417.1 800/5 2,5 0,2-WA 40X12 70-55	77512-2331
800	5	2,5	0,5	3	EPSA 417.1 800/5 2,5 0,5-WA 40X12 70-55	77512-2332
800	5	2,5	0,5s	3	EPSA 417.1 800/5 2,5 0,5S-WA 40X12 70-55	77512-2336
800	5	5	0,2	3	EPSA 417.1 800/5 5,0 0,2-WA 40X12 70-55	77512-2341
800	5	5	0,5	3	EPSA 417.1 800/5 5,0 0,5-WA 40X12 70-55	77512-2342
800	5	5	0,5s	3	EPSA 417.1 800/5 5,0 0,5S-WA 40X12 70-55	77512-2346
800	5	10	0,5	3	EPSA 417.1 800/5 10 0,5-WA 40X12 70-55	77512-2362
800	5	10	0,5s	3	EPSA 417.1 800/5 10 0,5S-WA 40X12 70-55	77512-2366
800	5	15	0,5	3	EPSA 417.1 800/5 15 0,5-WA 40X12 70-55	77512-2372
800	5	15	0,5s	3	EPSA 417.1 800/5 15 0,5S-WA 40X12 70-55	77512-2376
1000	5	2,5	0,2	3	EPSA 417.1 1000/5 2,5 0,2-WA 40X12 70-55	77512-2431
1000	5	2,5	0,5	3	EPSA 417.1 1000/5 2,5 0,5-WA 40X12 70-55	77512-2432
1000	5	2,5	0,5s	3	EPSA 417.1 1000/5 2,5 0,5S-WA 40X12 70-55	77512-2436
1000	5	5	0,2	3	EPSA 417.1 1000/5 5,0 0,2-WA 40X12 70-55	77512-2441
1000	5	5	0,5	3	EPSA 417.1 1000/5 5,0 0,5-WA 40X12 70-55	77512-2442
1000	5	5	0,5s	3	EPSA 417.1 1000/5 5,0 0,5S-WA 40X12 70-55	77512-2446
1000	5	10	0,2	3	EPSA 417.1 1000/5 10 0,2-WA 40X12 70-55	77512-2461
1000	5	10	0,5	3	EPSA 417.1 1000/5 10 0,5-WA 40X12 70-55	77512-2462
1000	5	10	0,5s	3	EPSA 417.1 1000/5 10 0,5S-WA 40X12 70-55	77512-2466
1000	5	15	0,5	3	EPSA 417.1 1000/5 15 0,5-WA 40X12 70-55	77512-2472
1000	5	15	0,5s	3	EPSA 417.1 1000/5 15 0,5S-WA 40X12 70-55	77512-2476



77517-1842

EPSA 517.1

Features:

- Window-type current transformer, PTB-compliant
- Primary busbar 50 x 12 mm (40 x 30), supplied with secondary terminal cover (SKLAD)

Primary current	Secondary current	VA	Accuracy class	PU	Product designation	Order no.
250	5	2,5	0,5	3	EPSA 517.1 250/5 2,5 0,5-WA 50X12 70-55	77517-1732
250	5	2,5	0,5s	3	EPSA 517.1 250/5 2,5 0,5S-WA 50X12 70-55	77517-1736
250	5	5	0,5	3	EPSA 517.1 250/5 5,0 0,5-WA 50X12 70-55	77517-1742
250	5	5	0,5s	3	EPSA 517.1 250/5 5,0 0,5S-WA 50X12 70-55	77517-1746
300	5	2,5	0,5	3	EPSA 517.1 300/5 2,5 0,5-WA 50X12 70-55	77517-1832

PTB-compliant current transformers for billing purposes

► Technical data, page 320



77517-1842

EPSA 517.1

Features:

- Window-type current transformer, PTB-compliant
- Primary busbar 50 x 12 mm (40 x 30), supplied with secondary terminal cover (SKLAD)

Primary current	Secondary current	VA	Accuracy class	PU	Product designation	Order no.
300	5	2,5	0,5s	3	EPSA 517.1 300/5 2,5 0,5s-WA 50X12 70-55	77517-1836
300	5	5	0,5	3	EPSA 517.1 300/5 5,0 0,5-WA 50X12 70-55	77517-1842
300	5	5	0,5s	3	EPSA 517.1 300/5 5,0 0,5s-WA 50X12 70-55	77517-1846
400	5	2,5	0,5	3	EPSA 517.1 400/5 2,5 0,5-WA 50X12 70-55	77517-1932
400	5	2,5	0,5s	3	EPSA 517.1 400/5 2,5 0,5s-WA 50X12 70-55	77517-1936
400	5	5	0,5s	3	EPSA 517.1 400/5 5,0 0,5s-WA 50X12 70-55	77517-1946
400	5	10	0,5s	3	EPSA 517.1 400/5 10 0,5s-WA 50X12 70-55	77517-1966
500	5	2,5	0,2	3	EPSA 517.1 500/5 2,5 0,2-WA 50X12 70-55	77517-2031
500	5	2,5	0,5	3	EPSA 517.1 500/5 2,5 0,5-WA 50X12 70-55	77517-2032
500	5	5	0,2	3	EPSA 517.1 500/5 5,0 0,2-WA 50X12 70-55	77517-2041
500	5	5	0,5	3	EPSA 517.1 500/5 5,0 0,5-WA 50X12 70-55	77517-2042
500	5	5	0,5s	3	EPSA 517.1 500/5 5,0 0,5s-WA 50X12 70-55	77517-2046
500	5	10	0,5	3	EPSA 517.1 500/5 10 0,5-WA 50X12 70-55	77517-2062
500	5	10	0,5s	3	EPSA 517.1 500/5 10 0,5s-WA 50X12 70-55	77517-2066
600	5	2,5	0,2	3	EPSA 517.1 600/5 2,5 0,2-WA 50X12 70-55	77517-2131
600	5	2,5	0,5	3	EPSA 517.1 600/5 2,5 0,5-WA 50X12 70-55	77517-2132
600	5	2,5	0,5s	3	EPSA 517.1 600/5 2,5 0,5s-WA 50X12 70-55	77517-2136
600	5	5	0,2	3	EPSA 517.1 600/5 5,0 0,2-WA 50X12 70-55	77517-2141
600	5	5	0,5	3	EPSA 517.1 600/5 5,0 0,5-WA 50X12 70-55	77517-2142
600	5	5	0,5s	3	EPSA 517.1 600/5 5,0 0,5s-WA 50X12 70-55	77517-2146
600	5	10	0,5	3	EPSA 517.1 600/5 10 0,5-WA 50X12 70-55	77517-2162
600	5	10	0,5s	3	EPSA 517.1 600/5 10 0,5s-WA 50X12 70-55	77517-2166
750	5	2,5	0,5	3	EPSA 517.1 750/5 2,5 0,5-WA 50X12 70-55	77517-2232
750	5	2,5	0,5s	3	EPSA 517.1 750/5 2,5 0,5s-WA 50X12 70-55	77517-2236
750	5	5	0,2	3	EPSA 517.1 750/5 5,0 0,2-WA 50X12 70-55	77517-2241
750	5	5	0,5	3	EPSA 517.1 750/5 5,0 0,5-WA 50X12 70-55	77517-2242
750	5	5	0,5s	3	EPSA 517.1 750/5 5,0 0,5s-WA 50X12 70-55	77517-2246
750	5	10	0,5	3	EPSA 517.1 750/5 10 0,5-WA 50X12 70-55	77517-2262
750	5	10	0,5s	3	EPSA 517.1 750/5 10 0,5s-WA 50X12 70-55	77517-2266
800	5	2,5	0,2	3	EPSA 517.1 800/5 2,5 0,2-WA 50X12 70-55	77517-2331
800	5	2,5	0,5	3	EPSA 517.1 800/5 2,5 0,5-WA 50X12 70-55	77517-2332
800	5	2,5	0,5s	3	EPSA 517.1 800/5 2,5 0,5s-WA 50X12 70-55	77517-2336
800	5	5	0,2	3	EPSA 517.1 800/5 5,0 0,2-WA 50X12 70-55	77517-2341
800	5	5	0,5	3	EPSA 517.1 800/5 5,0 0,5-WA 50X12 70-55	77517-2342
800	5	5	0,5s	3	EPSA 517.1 800/5 5,0 0,5s-WA 50X12 70-55	77517-2346
800	5	10	0,2	3	EPSA 517.1 800/5 10 0,2-WA 50X12 70-55	77517-2361
800	5	10	0,5	3	EPSA 517.1 800/5 10 0,5-WA 50X12 70-55	77517-2362
800	5	10	0,5s	3	EPSA 517.1 800/5 10 0,5s-WA 50X12 70-55	77517-2366
1000	5	2,5	0,2	3	EPSA 517.1 1000/5 2,5 0,2-WA 50X12 70-55	77517-2431
1000	5	2,5	0,5	3	EPSA 517.1 1000/5 2,5 0,5-WA 50X12 70-55	77517-2432
1000	5	2,5	0,5s	3	EPSA 517.1 1000/5 2,5 0,5s-WA 50X12 70-55	77517-2436
1000	5	5	0,2	3	EPSA 517.1 1000/5 5 0,2-WA 50X12 70-55	77517-2441
1000	5	5	0,5	3	EPSA 517.1 1000/5 5,0 0,5-WA 50X12 70-55	77517-2442
1000	5	5	0,5s	3	EPSA 517.1 1000/5 5 0,5s-WA 50X12 70-55	77517-2446
1000	5	10	0,2	3	EPSA 517.1 1000/5 10 0,2-WA 50X12 70-55	77517-2461
1000	5	10	0,5	3	EPSA 517.1 1000/5 10 0,5-WA 50X12 70-55	77517-2462
1000	5	10	0,5s	3	EPSA 517.1 1000/5 10 0,5s-WA 50X12 70-55	77517-2466

PTB-compliant current transformers for billing purposes

► Technical data, page 320



77516-1831

EPSA 514

Features:

- Window-type current transformer, PTB-compliant
- Primary busbar 50 x 12 mm (40 x 30), supplied with secondary terminal cover (SKLAD)

Primary current	Secondary current	VA	Accuracy class	PU	Product designation	Order no.
300	5	2,5	0,2	1	EPSA 514 300/5 2,5 0,2-WA 40X30 100-40	77516-1831
300	5	5	0,2	1	EPSA 514 300/5 5 0,2-WA 40X30 100-40	77516-1841
300	5	5	0,5	1	EPSA 514 300/5 5,0 0,5-WA 40X30 100-40	77516-1842
300	5	5	0,5s	1	EPSA 514 300/5 5 0,5s-WA 40X30 100-40	77516-1846
300	5	10	0,2	1	EPSA 514 300/5 10 0,2-WA 40X30 100-40	77516-1861
300	5	10	0,5	1	EPSA 514 300/5 10 0,5-WA 40X30 100-40	77516-1862
300	5	10	0,5s	1	EPSA 514 300/5 10 0,5s-WA 40X30 100-40	77516-1866
300	5	15	0,5	1	EPSA 514 300/5 15 0,5-WA 40X30 100-40	77516-1872
300	5	15	0,5s	1	EPSA 514 300/5 15 0,5s-WA 40X30 100-40	77516-1876
400	5	2,5	0,2	1	EPSA 514 400/5 2,5 0,2-WA 40X30 100-40	77516-1931
400	5	5	0,2	1	EPSA 514 400/5 5 0,2-WA 40X30 100-40	77516-1941
400	5	5	0,5	1	EPSA 514 400/5,0 0,5-WA 40X30 100-40	77516-1942
400	5	5	0,5s	1	EPSA 514 400/5,0 0,5s-WA 40X30 100-40	77516-1946
400	5	10	0,2	1	EPSA 514 400/5 10 0,2-WA 40X30 100-40	77516-1961
400	5	10	0,5	1	EPSA 514 400/5 10 0,5-WA 40X30 100-40	77516-1962
400	5	15	0,5	1	EPSA 514 400/5 15 0,5-WA 40X30 100-40	77516-1972
400	5	15	0,5s	1	EPSA 514 400/5 15 0,5s-WA 40X30 100-40	77516-1976
500	5	5	0,2	1	EPSA 514 500/5 5 0,2-WA 40X30 100-40	77516-2041
500	5	5	0,5	1	EPSA 514 500/5 5 0,5-WA 40X30 100-40	77516-2042
500	5	5	0,5s	1	EPSA 514 500/5 5 0,5s-WA 40X30 100-40	77516-2046
500	5	10	0,2	1	EPSA 514 500/5 10 0,2-WA 40X30 100-40	77516-2061
500	5	10	0,5	1	EPSA 514 500/5 10 0,5-WA 40X30 100-40	77516-2062
500	5	10	0,5s	1	EPSA 514 500/5 10 0,5s-WA 40X30 100-40	77516-2066
500	5	15	0,5	1	EPSA 514 500/5 15 0,5-WA 40X30 100-40	77516-2072
500	5	15	0,5s	1	EPSA 514 500/5 15 0,5s-WA 40X30 100-40	77516-2076
600	5	5	0,2	1	EPSA 514 600/5 5 0,2-WA 40X30 100-40	77516-2141
600	5	5	0,5	1	EPSA 514 600/5 5 0,5-WA 40X30 100-40	77516-2142
600	5	5	0,5s	1	EPSA 514 600/5 5 0,5s-WA 40X30 100-40	77516-2146
600	5	10	0,2	1	EPSA 514 600/5 10 0,2-WA 40X30 100-40	77516-2161
600	5	10	0,5	1	EPSA 514 600/5 10 0,5-WA 40X30 100-40	77516-2162
600	5	10	0,5s	1	EPSA 514 600/5 10 0,5s-WA 40X30 100-40	77516-2166
600	5	15	0,5	1	EPSA 514 600/5 15 0,5-WA 40X30 100-40	77516-2172
600	5	15	0,5s	1	EPSA 514 600/5 15 0,5s-WA 40X30 100-40	77516-2176
600	5	30	0,5	1	EPSA 514 600/5 30 0,5-WA 40X30 100-40	77516-2182
600	5	30	0,5s	1	EPSA 514 600/5 30 0,5s-WA 40X30 100-40	77516-2186
750	5	5	0,2	1	EPSA 514 750/5 5 0,2-WA 40X30 100-40	77516-2241
750	5	5	0,5	1	EPSA 514 750/5 5 0,5-WA 40X30 100-40	77516-2242
750	5	5	0,5s	1	EPSA 514 750/5 5 0,5s-WA 40X30 100-40	77516-2246
750	5	10	0,2	1	EPSA 514 750/5 10 0,2-WA 40X30 100-40	77516-2261
750	5	10	0,5	1	EPSA 514 750/5 10 0,5-WA 40X30 100-40	77516-2262
750	5	15	0,2	1	EPSA 514 750/5 15 0,2-WA 40X30 100-40	77516-2271
750	5	15	0,5	1	EPSA 514 750/5 15 0,5-WA 40X30 100-40	77516-2272
750	5	15	0,5s	1	EPSA 514 750/5 15 0,5s-WA 40X30 100-40	77516-2276
750	5	30	0,5	1	EPSA 514 750/5 30 0,5-WA 40X30 100-40	77516-2282
750	5	30	0,5s	1	EPSA 514 750/5 30 0,5s-WA 40X30 100-40	77516-2286
800	5	5	0,2	1	EPSA 514 800/5 5 0,2-WA 40X30 100-40	77516-2341
800	5	5	0,5	1	EPSA 514 800/5 5 0,5-WA 40X30 100-40	77516-2342
800	5	5	0,5s	1	EPSA 514 800/5 5 0,5s-WA 40X30 100-40	77516-2346
800	5	10	0,2	1	EPSA 514 800/5 10 0,2-WA 40X30 100-40	77516-2361
800	5	10	0,5	1	EPSA 514 800/5 10 0,5-WA 40X30 100-40	77516-2362
800	5	10	0,5s	1	EPSA 514 800/5 10 0,5s-WA 40X30 100-40	77516-2366
800	5	15	0,2	1	EPSA 514 800/5 15 0,2-WA 40X30 100-40	77516-2371
800	5	15	0,5	1	EPSA 514 800/5 15 0,5-WA 40X30 100-40	77516-2372
800	5	15	0,5s	1	EPSA 514 800/5 15 0,5s-WA 40X30 100-40	77516-2376
800	5	30	0,2	1	EPSA 514 800/5 30 0,2-WA 40X30 100-40	77516-2381

PTB-compliant current transformers for billing purposes

► Technical data, page 320



77516-1831

EPSA 514

Features:

- Window-type current transformer, PTB-compliant
- Primary busbar 50 x 12 mm (40 x 30), supplied with secondary terminal cover (SKLAD)

Primary current	Secondary current	VA	Accuracy class	PU	Product designation	Order no.
800	5	30	0,5	1	EPSA 514 800/5 30 0,5-WA 40X30 100-40	77516-2382
800	5	30	0,5s	1	EPSA 514 800/5 30 0,5s-WA 40X30 100-40	77516-2386
1000	5	5	0,2	1	EPSA 514 1000/5 5 0,2-WA 40X30 100-40	77516-2441
1000	5	5	0,5	1	EPSA 514 1000/5 5 0,5-WA 40X30 100-40	77516-2442
1000	5	5	0,5s	1	EPSA 514 1000/5 5 0,5s-WA 40X30 100-40	77516-2446
1000	5	10	0,2	1	EPSA 514 1000/5 10 0,2-WA 40X30 100-40	77516-2461
1000	5	10	0,5	1	EPSA 514 1000/5 10 0,5-WA 40X30 100-40	77516-2462
1000	5	10	0,5s	1	EPSA 514 1000/5 10 0,5s-WA 40X30 100-40	77516-2466
1000	5	15	0,2	1	EPSA 514 1000/5 15 0,2-WA 40X30 100-40	77516-2471
1000	5	15	0,5	1	EPSA 514 1000/5 15 0,5-WA 40X30 100-40	77516-2472
1000	5	15	0,5s	1	EPSA 514 1000/5 15 0,5s-WA 40X30 100-40	77516-2476
1000	5	30	0,2	1	EPSA 514 1000/5 30 0,2-WA 40X30 100-40	77516-2481
1000	5	30	0,5	1	EPSA 514 1000/5 30 0,5-WA 40X30 100-40	77516-2482
1000	5	30	0,5s	1	EPSA 514 1000/5 30 0,5s-WA 40X30 100-40	77516-2486
1200	5	5	0,2	1	EPSA 514 1200/5 5 0,2-WA 40X30 100-40	77516-2541
1200	5	5	0,5	1	EPSA 514 1200/5 5 0,5-WA 40X30 100-40	77516-2542
1200	5	5	0,5s	1	EPSA 514 1200/5 5 0,5s-WA 40X30 100-40	77516-2546
1200	5	10	0,2	1	EPSA 514 1200/5 10 0,2-WA 40X30 100-40	77516-2561
1200	5	10	0,5	1	EPSA 514 1200/5 10 0,5-WA 40X30 100-40	77516-2562
1200	5	10	0,5s	1	EPSA 514 1200/5 10 0,5s-WA 40X30 100-40	77516-2566
1200	5	15	0,2	1	EPSA 514 1200/5 15 0,2-WA 40X30 100-40	77516-2571
1200	5	15	0,5	1	EPSA 514 1200/5 15 0,5-WA 40X30 100-40	77516-2572
1200	5	15	0,5s	1	EPSA 514 1200/5 15 0,5s-WA 40X30 100-40	77516-2576
1200	5	30	0,2	1	EPSA 514 1200/5 30 0,2-WA 40X30 100-40	77516-2581
1200	5	30	0,5	1	EPSA 514 1200/5 30 0,5-WA 40X30 100-40	77516-2582
1200	5	30	0,5s	1	EPSA 514 1200/5 30 0,5s-WA 40X30 100-40	77516-2586
1250	5	5	0,2	1	EPSA 514 1250/5 5 0,2-WA 40X30 100-40	77516-2641
1250	5	5	0,5	1	EPSA 514 1250/5 5 0,5-WA 40X30 100-40	77516-2642
1250	5	5	0,5s	1	EPSA 514 1250/5 5 0,5s-WA 40X30 100-40	77516-2646
1250	5	10	0,2	1	EPSA 514 1250/5 10 0,2-WA 40X30 100-40	77516-2661
1250	5	10	0,5	1	EPSA 514 1250/5 10 0,5-WA 40X30 100-40	77516-2662
1250	5	10	0,5s	1	EPSA 514 1250/5 10 0,5s-WA 40X30 100-40	77516-2666
1250	5	15	0,2	1	EPSA 514 1250/5 15 0,2-WA 40X30 100-40	77516-2671
1250	5	15	0,5	1	EPSA 514 1250/5 15 0,5-WA 40X30 100-40	77516-2672
1250	5	15	0,5s	1	EPSA 514 1250/5 15 0,5s-WA 40X30 100-40	77516-2676
1250	5	30	0,2	1	EPSA 514 1250/5 30 0,2-WA 40X30 100-40	77516-2681
1250	5	30	0,5	1	EPSA 514 1250/5 30 0,5-WA 40X30 100-40	77516-2682
1250	5	30	0,5s	1	EPSA 514 1250/5 30 0,5s-WA 40X30 100-40	77516-2686



77522-2542

EPSA 614

Features:

- Window-type current transformer, PTB-compliant
- Primary busbar 60 x 12 mm (50 x 30), supplied with secondary terminal cover (SKLAD)

Primary current	Secondary current	VA	Accuracy class	PU	Product designation	Order no.
300	5	2,5	0,5	3	EPSA 614 300/5 2,5 0,5-WA 60X10 100-40	77522-1832
300	5	2,5	0,5s	3	EPSA 614 300/5 2,5 0,5s-WA 60X10 100-40	77522-1836
300	5	5	0,5	3	EPSA 614 300/5 5,0 0,5-WA 60X10 100-40	77522-1842
500	5	5	0,5	3	EPSA 614 500/5 5,0 0,5-WA 60X10 100-40	77522-2042
600	5	10	0,5s	3	EPSA 614 600/5 10 0,5s-WA 60X10 100-40	77522-2166
800	5	10	0,5	3	EPSA 614 800/5 10 0,5-WA 60X10 100-40	77522-2362
300	5	5	0,5s	3	EPSA 614 300/5 5,0 0,5s-WA 60X10 100-40	77522-1846
400	5	2,5	0,2	3	EPSA 614 400/5 2,5 0,2-WA 60X10 100-40	77522-1931
400	5	2,5	0,5	3	EPSA 614 400/5 2,5 0,5-WA 60X10 100-40	77522-1932
400	5	2,5	0,5s	3	EPSA 614 400/5 2,5 0,5s-WA 60X10 100-40	77522-1936
400	5	5	0,2	3	EPSA 614 400/5 5,0 0,2-WA 60X10 100-40	77522-1941

PTB-compliant current transformers for billing purposes

► Technical data, page 320

EPSA 614

Features:

- Window-type current transformer, PTB-compliant
- Primary busbar 60 x 12 mm (50 x 30), supplied with secondary terminal cover (SKLAD)

Primary current	Secondary current	VA	Accuracy class	PU	Product designation	Order no.
400	5	5	0,5	3	EPSA 614 400/5 5,0 0,5-WA 60X10 100-40	77522-1942
400	5	5	0,5s	3	EPSA 614 400/5 5,0 0,5s-WA 60X10 100-40	77522-1946
400	5	10	0,5	3	EPSA 614 400/5 10 0,5-WA 60X10 100-40	77522-1962
400	5	10	0,5s	3	EPSA 614 400/5 10 0,5s-WA 60X10 100-40	77522-1966
500	5	2,5	0,2	3	EPSA 614 500/5 2,5 0,2-WA 60X10 100-40	77522-2031
500	5	2,5	0,5	3	EPSA 614 500/5 2,5 0,5-WA 60X10 100-40	77522-2032
500	5	2,5	0,5s	3	EPSA 614 500/5 2,5 0,5s-WA 60X10 100-40	77522-2036
500	5	5	0,2	3	EPSA 614 500/5 5,0 0,2-WA 60X10 100-40	77522-2041
500	5	5	0,5s	3	EPSA 614 500/5 5,0 0,5s-WA 60X10 100-40	77522-2046
500	5	10	0,5	3	EPSA 614 500/5 10 0,5-WA 60X10 100-40	77522-2062
500	5	10	0,5s	3	EPSA 614 500/5 10 0,5s-WA 60X10 100-40	77522-2066
600	5	5	0,2	3	EPSA 614 600/5 5,0 0,2-WA 60X10 100-40	77522-2141
600	5	5	0,5	3	EPSA 614 600/5 5,0 0,5-WA 60X10 100-40	77522-2142
600	5	5	0,5s	3	EPSA 614 600/5 5,0 0,5s-WA 60X10 100-40	77522-2146
600	5	10	0,2	3	EPSA 614 600/5 10 0,2	77522-2161
600	5	10	0,5	3	EPSA 614 600/5 10 0,5-WA 60X10 100-40	77522-2162
600	5	15	0,5	3	EPSA 614 600/5 15 0,5-WA 60X10 100-40	77522-2172
600	5	15	0,5s	3	EPSA 614 600/5 15 0,5s	77522-2176
750	5	5	0,2	3	EPSA 614 750/5 5,0 0,2-WA 60X10 100-40	77522-2241
750	5	5	0,5	3	EPSA 614 750/5 5,0 0,5-WA 60x10 100-40	77522-2242
750	5	5	0,5s	3	EPSA 614 750/5 5,0 0,5s-WA 60X10 100-40	77522-2246
750	5	10	0,2	3	EPSA 614 750/5 10 0,2	77522-2261
750	5	10	0,5	3	EPSA 614 750/5 10 0,5-WA 60X10 100-40	77522-2262
750	5	10	0,5s	3	EPSA 614 750/5 10 0,5s-WA 60X10 100-40	77522-2266
750	5	15	0,5	3	EPSA 614 750/5 15 0,5-WA 60X10 100-40	77522-2272
750	5	15	0,5s	3	EPSA 614 750/5 15 0,5s-WA 60X10 100-40	77522-2276
800	5	5	0,2	3	EPSA 614 800/5 5,0 0,2-WA 60X10 100-40	77522-2341
800	5	5	0,5	3	EPSA 614 800/5 5,0 0,5-WA 60X10 100-40	77522-2342
800	5	5	0,5s	3	EPSA 614 800/5 5,0 0,5s-WA 60X10 100-40	77522-2346
800	5	10	0,2	3	EPSA 614 800/5 10 0,2	77522-2361
800	5	10	0,5s	3	EPSA 614 800/5 10 0,5s-WA 60X10 100-40	77522-2366
800	5	15	0,5	3	EPSA 614 800/5 15 0,5-WA 60X10 100-40	77522-2372
800	5	15	0,5s	3	EPSA 614 800/5 15 0,5s-WA 60X10 100-40	77522-2376
1000	5	5	0,2	3	EPSA 614 1000/5 5,0 0,2-WA 60x10 100-40	77522-2441
1000	5	5	0,5	3	EPSA 614 1000/5 5,0 0,5-WA 60X10 100-40	77522-2442
1000	5	5	0,5s	3	EPSA 614 1000/5 5,0 0,5s-WA 60x10 100-40	77522-2446
1000	5	10	0,2	3	EPSA 614 1000/5 10 0,2-WA 60X10 100-40	77522-2461
1000	5	10	0,5	3	EPSA 614 1000/5 10 0,5-WA 60X10 100-40	77522-2462
1000	5	10	0,5s	3	EPSA 614 1000/5 10 0,5s-WA 60X10 100-40	77522-2466
1000	5	15	0,5	3	EPSA 614 1000/5 15 0,5-WA 60X10 100-40	77522-2472
1000	5	15	0,5s	3	EPSA 614 1000/5 15 0,5s-WA 60X10 100-40	77522-2476
1200	5	5	0,2	3	EPSA 614 1200/5 10 0,2-WA 60X10 100-40	77522-2541
1200	5	5	0,5	3	EPSA 614 1200/5 5 0,5-WA 60x10 100-40	77522-2542
1200	5	5	0,5s	3	EPSA 614 1200/5 5 0,5s - WA 60X10 100-40	77522-2546
1200	5	10	0,2	3	EPSA 614 1200/5 10 0,2-WA 60X10 100-40	77522-2561
1200	5	10	0,5	3	EPSA 614 1200/5 10 0,5-WA 60X10 100-40	77522-2562
1200	5	10	0,5s	3	EPSA 614 1200/5 10 0,5s-WA 60X10 100-40	77522-2566
1200	5	15	0,2	3	EPSA 614 1200/5 15 0,2-WA 60X10 100-40	77522-2571
1200	5	15	0,5	3	EPSA 614 1200/5 15 0,5-WA 60X10 100-40	77522-2572
1200	5	15	0,5s	3	EPSA 614 1200/5 15 0,5s-WA 60X10 100-40	77522-2576
1200	5	30	0,5	3	EPSA 614 1200/5 30 0,5-WA 60X10 100-40	77522-2582
1200	5	30	0,5s	3	EPSA 614 1200/5 30 0,5s-WA 60X10 100-40	77522-2586
1250	5	5	0,2	3	EPSA 614 1250/5 10 0,2-WA 60X10 100-40	77522-2641
1250	5	5	0,5	3	EPSA 614 1250/5 10 0,5-WA 60X10 100-40	77522-2642
1250	5	5	0,5s	3	EPSA 614 1250/5 5 0,5s-WA 60X10 100-40	77522-2646

PTB-compliant current transformers for billing purposes

► Technical data, page 320

EPSA 614

Features:

- Window-type current transformer, PTB-compliant
- Primary busbar 60 x 12 mm (50 x 30), supplied with secondary terminal cover (SKLAD)

Primary current	Secondary current	VA	Accuracy class	PU	Product designation	Order no.
1250	5	10	0,2	3	EPSA 614 1250/5 10 0,2-WA 60X10 100-40	77522-2661
1250	5	10	0,5	3	EPSA 614 1250/5 10 0,5-WA 60X10 100-40	77522-2662
1250	5	10	0,5s	3	EPSA 614 1250/5 10 0,5s-WA 60X10 100-40	77522-2666
1250	5	15	0,2	3	EPSA 614 1250/5 15 0,2-WA 60X10 100-40	77522-2671
1250	5	15	0,5	3	EPSA 614 1250/5 15 0,5-WA 60X10 100-40	77522-2672
1250	5	15	0,5s	3	EPSA 614 1250/5 15 0,5s-WA 60X10 100-40	77522-2676
1250	5	30	0,2	3	EPSA 614 1250/5 30 0,2-WA 60X10 100-40	77522-2681
1250	5	30	0,5	3	EPSA 614 1250/5 30 0,5-WA 60X10 100-40	77522-2682
1250	5	30	0,5s	3	EPSA 614 1250/5 30 0,5s-WA 60X10 100-40	77522-2686
1500	5	5	0,2	3	EPSA 614 1500/5 10 0,2-WA 60X10 100-40	77522-2741
1500	5	5	0,5	3	EPSA 614 1500/5 10 0,5-WA 60X10 100-40	77522-2742
1500	5	5	0,5s	3	EPSA 614 1500/5 5 0,5s-WA 60X10 100-40	77522-2746
1500	5	10	0,2	3	EPSA 614 1500/5 10 0,2-WA 60X10 100-40	77522-2761
1500	5	10	0,5	3	EPSA 614 1500/5 10 0,5-WA 60X10 100-40	77522-2762
1500	5	10	0,5s	3	EPSA 614 1500/5 10 0,5s-WA 60X10 100-40	77522-2766
1500	5	15	0,2	3	EPSA 614 1500/5 15 0,2-WA 60X10 100-40	77522-2771
1500	5	15	0,5	3	EPSA 614 1500/5 15 0,5-WA 60X10 100-40	77522-2772
1500	5	15	0,5s	3	EPSA 614 1500/5 15 0,5s-WA 60X10 100-40	77522-2776
1500	5	30	0,2	3	EPSA 614 1500/5 30 0,2-WA 60X10 100-40	77522-2781
1500	5	30	0,5	3	EPSA 614 1500/5 30 0,5-WA 60X10 100-40	77522-2782
1500	5	30	0,5s	3	EPSA 614 1500/5 30 0,5s-WA 60X10 100-40	77522-2786

EPSA 634

Features:

- Window-type current transformer, PTB-compliant
- Primary busbar 60 x 30 mm (50 x 40), supplied with secondary terminal cover (SKLAD)

Primary current	Secondary current	VA	Accuracy class	PU	Product designation	Order no.
400	5	2,5	0,2	3	EPSA 634 400/5 2,5 0,2-WA 60X30 100-40	77523-1931
400	5	2,5	0,5	3	EPSA 634 400/5 2,5 0,5-WA 60X30 100-40	77523-1932
400	5	2,5	0,5s	3	EPSA 634 400/5 2,5 0,5s-WA 60X30 100-40	77523-1936
400	5	5	0,5	3	EPSA 634 400/5 5 0,5-WA 60X30 100-40	77523-1942
400	5	5	0,5s	3	EPSA 634 400/5 5 0,5s-WA 60X30 100-40	77523-1946
500	5	2,5	0,2	3	EPSA 634 500/5 2,5 0,2-WA 60X30 100-40	77523-2031
500	5	2,5	0,5	3	EPSA 634 500/5 2,5 0,5-WA 60X30 100-40	77523-2032
500	5	2,5	0,5s	3	EPSA 634 500/5 2,5 0,5s-WA 60X30 100-40	77523-2036
500	5	5	0,2	3	EPSA 634 500/5 5 0,2-WA 60X30 100-40	77523-2041
500	5	5	0,5	3	EPSA 634 500/5 5 0,5-WA 60X30 100-40	77523-2042
500	5	5	0,5s	3	EPSA 634 500/5 5 0,5s-WA 60X30 100-40	77523-2046
500	5	10	0,5	3	EPSA 634 500/5 10 0,5-WA 60X30 100-40	77523-2062
500	5	10	0,5s	3	EPSA 634 500/5 10 0,5s-WA 60X30 100-40	77523-2066
600	5	2,5	0,2	3	EPSA 634 600/5 2,5 0,2-WA 60X30 100-40	77523-2131
600	5	5	0,2	3	EPSA 634 600/5 5 0,2-WA 60X30 100-40	77523-2141
750	5	2,5	0,2	3	EPSA 634 750/5 2,5 0,2-WA 60X30 100-40	77523-2231
750	5	5	0,2	3	EPSA 634 750/5 5 0,2-WA 60X30 100-40	77523-2241
750	5	10	0,2	3	EPSA 634 750/5 10 0,2-WA 60X30 100-40	77523-2261
800	5	2,5	0,2	3	EPSA 634 800/5 2,5 0,2-WA 60X30 100-40	77523-2331
800	5	5	0,2	3	EPSA 634 800/5 5 0,2-WA 60X30 100-40	77523-2341
800	5	5	0,5	3	EPSA 634 800/5 5 0,5-WA 60X30 100-40	77523-2342
800	5	5	0,5s	3	EPSA 634 800/5 5 0,5s-WA 60X30 100-40	77523-2346
800	5	10	0,2	3	EPSA 634 800/5 10 0,2-WA 60X30 100-40	77523-2361
800	5	10	0,5	3	EPSA 634 800/5 10 0,5-WA 60X30 100-40	77523-2362
800	5	10	0,5s	3	EPSA 634 800/5 10 0,5s-WA 60X30 100-40	77523-2366
800	5	15	0,5	3	EPSA 634 800/5 15 0,5-WA 60X30 100-40	77523-2372
800	5	15	0,5s	3	EPSA 634 800/5 15 0,5s-WA 60X30 100-40	77523-2376
1000	5	5	0,2	3	EPSA 634 1000/5 5 0,2-WA 60X30 100-40	77523-2441



77523-2032

PTB-compliant current transformers for billing purposes

► Technical data, page 320



77523-2032

EPSA 634

Features:

- Window-type current transformer, PTB-compliant
- Primary busbar 60 x 30 mm (50 x 40), supplied with secondary terminal cover (SKLAD)

Primary current	Secondary current	VA	Accuracy class	PU	Product designation	Order no.
1000	5	5	0,5	3	EPSA 634 1000/5 5 0,5-WA 60X30 100-40	<u>77523-2442</u>
1000	5	5	0,5s	3	EPSA 634 1000/5 5,0 0,5s-WA 60X30 100-40	<u>77523-2446</u>
1000	5	10	0,2	3	EPSA 634 1000/5 10 0,2-WA 60X30 100-40	<u>77523-2461</u>
1000	5	10	0,5	3	EPSA 634 1000/5 10 0,5-WA 60X30 100-40	<u>77523-2462</u>
1000	5	10	0,5s	3	EPSA 634 1000/5 10 0,5s-WA 60X30 100-40	<u>77523-2466</u>
1000	5	15	0,5	3	EPSA 634 1000/5 15 0,5-WA 60X30 100-40	<u>77523-2472</u>
1000	5	15	0,5s	3	EPSA 634 1000/5 15 0,5s-WA 60X30 100-40	<u>77523-2476</u>
1000	5	30	0,5	3	EPSA 634 1000/5 30 0,5-WA 60X30 100-40	<u>77523-2482</u>
1000	5	30	0,5s	3	EPSA 634 1000/5 30 0,5s-WA 60X30 100-40	<u>77523-2486</u>
1200	5	5	0,2	3	EPSA 634 1200/5 5,0 0,2-WA 60X30 100-40	<u>77523-2541</u>
1200	5	5	0,5	3	EPSA 634 1200/5 5 0,5-WA 60X30 100-40	<u>77523-2542</u>
1200	5	5	0,5s	3	EPSA 634 1200/5 5,0 0,5s-WA 60X30 100-40	<u>77523-2546</u>
1200	5	10	0,2	3	EPSA 634 1200/5 10 0,2-WA 60X30 100-40	<u>77523-2561</u>
1200	5	10	0,5	3	EPSA 634 1200/5 10 0,5-WA 60X30 100-40	<u>77523-2562</u>
1200	5	10	0,5s	3	EPSA 634 1200/5 10 0,5s-WA 60X30 100-40	<u>77523-2566</u>
1200	5	15	0,5	3	EPSA 634 1200/5 15 0,5-WA 60X30 100-40	<u>77523-2572</u>
1200	5	15	0,5s	3	EPSA 634 1200/5 15 0,5s-WA 60X30 100-40	<u>77523-2576</u>
1200	5	30	0,5	3	EPSA 634 1200/5 30 0,5-WA 60X30 100-40	<u>77523-2582</u>
1200	5	30	0,5s	3	EPSA 634 1200/5 30 0,5s-WA 60X30 100-40	<u>77523-2586</u>
1250	5	5	0,2	3	EPSA 634 1250/5 5,0 0,2-WA 60X30 100-40	<u>77523-2641</u>
1250	5	5	0,5	3	EPSA 634 1250/5 5,0 0,5-WA 60X30 100-40	<u>77523-2642</u>
1250	5	5	0,5s	3	EPSA 634 1250/5 5,0 0,5s-WA 60X30 100-40	<u>77523-2646</u>
1250	5	10	0,2	3	EPSA 634 1250/5 10 0,2-WA 60X30 100-40	<u>77523-2661</u>
1250	5	10	0,5	3	EPSA 634 1250/5 10 0,5-WA 60X30 100-40	<u>77523-2662</u>
1250	5	10	0,5s	3	EPSA 634 1250/5 10 0,5s-WA 60X30 100-40	<u>77523-2666</u>
1250	5	15	0,2	3	EPSA 634 1250/5 15 0,2-WA 60X30 100-40	<u>77523-2671</u>
1250	5	15	0,5	3	EPSA 634 1250/5 15 0,5-WA 60X30 100-40	<u>77523-2672</u>
1250	5	15	0,5s	3	EPSA 634 1250/5 15 0,5s-WA 60X30 100-40	<u>77523-2676</u>
1250	5	30	0,5	3	EPSA 634 1250/5 30 0,5-WA 60X30 100-40	<u>77523-2682</u>
1250	5	30	0,5s	3	EPSA 634 1250/5 30 0,5s-WA 60X30 100-40	<u>77523-2686</u>
1500	5	5	0,2	3	EPSA 634 1500/5 5,0 0,2-WA 60X30 100-40	<u>77523-2741</u>
1500	5	5	0,5	3	EPSA 634 1500/5 5,0 0,5-WA 60X30 100-40	<u>77523-2742</u>
1500	5	5	0,5s	3	EPSA 634 1500/5 5,0 0,5s-WA 60X30 100-40	<u>77523-2746</u>
1500	5	10	0,2	3	EPSA 634 1500/5 10 0,2-WA 60X30 100-40	<u>77523-2761</u>
1500	5	10	0,5	3	EPSA 634 1500/5 10 0,5-WA 60X30 100-40	<u>77523-2762</u>
1500	5	10	0,5s	3	EPSA 634 1500/5 10 0,5s-WA 60X30 100-40	<u>77523-2766</u>
1500	5	15	0,2	3	EPSA 634 1500/5 15 0,2-WA 60X30 100-40	<u>77523-2771</u>
1500	5	15	0,5	3	EPSA 634 1500/5 15 0,5-WA 60X30 100-40	<u>77523-2772</u>
1500	5	15	0,5s	3	EPSA 634 1500/5 15 0,5s-WA 60X30 100-40	<u>77523-2776</u>
1500	5	30	0,5	3	EPSA 634 1500/5 30 0,5-WA 60X30 100-40	<u>77523-2782</u>
1500	5	30	0,5s	3	EPSA 634 1500/5 30 0,5s-WA 60X30 100-40	<u>77523-2786</u>
1600	5	5	0,2	3	EPSA 634 1600/5 5,0 0,2-WA 60X30 100-40	<u>77523-2841</u>
1600	5	5	0,5	3	EPSA 634 1600/5 5,0 0,5-WA 60X30 100-40	<u>77523-2842</u>
1600	5	5	0,5s	3	EPSA 634 1600/5 5,0 0,5s-WA 60X30 100-40	<u>77523-2846</u>
1600	5	10	0,2	3	EPSA 634 1600/5 10 0,2-WA 60X30 100-40	<u>77523-2861</u>
1600	5	10	0,5	3	EPSA 634 1600/5 10 0,5-WA 60X30 100-40	<u>77523-2862</u>
1600	5	10	0,5s	3	EPSA 634 1600/5 10 0,5s-WA 60X30 100-40	<u>77523-2866</u>
1600	5	15	0,2	3	EPSA 634 1600/5 15 0,2-WA 60X30 100-40	<u>77523-2871</u>
1600	5	15	0,5	3	EPSA 634 1600/5 15 0,5-WA 60X30 100-40	<u>77523-2872</u>
1600	5	15	0,5s	3	EPSA 634 1600/5 15 0,5s-WA 60X30 100-40	<u>77523-2876</u>
1600	5	30	0,5	3	EPSA 634 1600/5 30 0,5-WA 60X30 100-40	<u>77523-2882</u>
1600	5	30	0,5s	3	EPSA 634 1600/5 30 0,5s-WA 60X30 100-40	<u>77523-2886</u>
2000	5	5	0,2	3	EPSA 634 2000/5 5,0 0,2-WA 60X30 100-40	<u>77523-2941</u>
2000	5	5	0,5	3	EPSA 634 2000/5 5,0 0,5-WA 60X30 100-40	<u>77523-2942</u>
2000	5	5	0,5s	3	EPSA 634 2000/5 5,0 0,5s-WA 60X30 100-40	<u>77523-2946</u>

PTB-compliant current transformers for billing purposes

► Technical data, page 320



77523-2032

EPESA 634

Features:

- Window-type current transformer, PTB-compliant
- Primary busbar 60 x 30 mm (50 x 40), supplied with secondary terminal cover (SKLAD)

Primary current	Secondary current	VA	Accuracy class	PU	Product designation	Order no.
2000	5	10	0,2	3	EPESA 634 2000/5 10 0,2-WA 60X30 100-40	77523-2961
2000	5	10	0,5	3	EPESA 634 2000/5 10 0,5-WA 60X30 100-40	77523-2962
2000	5	10	0,5s	3	EPESA 634 2000/5 10 0,5s-WA 60X30 100-40	77523-2966
2000	5	15	0,2	3	EPESA 634 2000/5 15 0,2-WA 60X30 100-40	77523-2971
2000	5	15	0,5	3	EPESA 634 2000/5 15 0,5-WA 60X30 100-40	77523-2972
2000	5	15	0,5s	3	EPESA 634 2000/5 15 0,5s-WA 60X30 100-40	77523-2976
2000	5	30	0,5	3	EPESA 634 2000/5 30 0,5-WA 60X30 100-40	77523-2982
2000	5	30	0,5s	3	EPESA 634 2000/5 30 0,5s-WA 60X30 100-40	77523-2986



77524-1932

EPESA 814

Features:

- Window-type current transformer, PTB-compliant
- Primary busbar 80 x 10 mm (60 x 30), supplied with secondary terminal cover (SKLAD)

Primary current	Secondary current	VA	Accuracy class	PU	Product designation	Order no.
400	5	2,5	0,5	3	EPESA 814 400/5 2,5 0,5-WA 80X10 100-40	77524-1932
400	5	2,5	0,5s	3	EPESA 814 400/5 2,5 0,5s-WA 80X10 100-40	77524-1936
400	5	5	0,5	3	EPESA 814 400/5 5,0 0,5-WA 80X10 100-40	77524-1942
400	5	5	0,5s	3	EPESA 814 400/5 5,0 0,5s-WA 80X10 100-40	77524-1946
500	5	2,5	0,2	3	EPESA 814 500/5 2,5 0,2-WA 80X10 100-40	77524-2031
500	5	2,5	0,5	3	EPESA 814 500/5 2,5 0,5-WA 80X10 100-40	77524-2032
500	5	2,5	0,5s	3	EPESA 814 500/5 2,5 0,5s-WA 80X10 100-40	77524-2036
500	5	5	0,5	3	EPESA 814 500/5 5,0 0,5-WA 80X10 100-40	77524-2042
500	5	5	0,5s	3	EPESA 814 500/5 5,0 0,5s-WA 80X10 100-40	77524-2046
600	5	2,5	0,2	3	EPESA 814 600/5 2,5 0,2-WA 80X10 100-40	77524-2131
600	5	2,5	0,5	3	EPESA 814 600/5 2,5 0,5-WA 80X10 100-40	77524-2132
600	5	2,5	0,5s	3	EPESA 814 600/5 2,5 0,5s-WA 80X10 100-40	77524-2136
600	5	5	0,5	3	EPESA 814 600/5 5,0 0,5-WA 80x10 100-40	77524-2142
600	5	5	0,5s	3	EPESA 814 600/5 5,0 0,5s-WA 80X10 100-40	77524-2146
600	5	10	0,5	3	EPESA 814 600/5 10 0,5-WA 80X10 100-40	77524-2162
750	5	2,5	0,2	3	EPESA 814 750/5 2,5 0,2-WA 80X10 100-40	77524-2231
750	5	2,5	0,5	3	EPESA 814 750/5 2,5 0,5-WA 80X10 100-40	77524-2232
750	5	2,5	0,5s	3	EPESA 814 750/5 2,5 0,5s-WA 80X10 100-40	77524-2236
750	5	5	0,2	3	EPESA 814 750/5 5,0 0,2-WA 80X10 100-40	77524-2241
750	5	5	0,5	3	EPESA 814 750/5 5,0 0,5-WA 80X10 100-40	77524-2242
750	5	5	0,5s	3	EPESA 814 750/5 5,0 0,5s-WA 80X10 100-40	77524-2246
750	5	10	0,5	3	EPESA 814 750/5 10 0,5-WA 80X10 100-40	77524-2262
750	5	10	0,5s	3	EPESA 814 750/5 10 0,5s-WA 80X10 100-40	77524-2266
800	5	2,5	0,2	3	EPESA 814 800/5 2,5 0,2-WA 80X10 100-40	77524-2331
800	5	5	0,2	3	EPESA 814 800/5 5,0 0,2-WA 80X10 100-40	77524-2341
800	5	5	0,5	3	EPESA 814 800/5 5,0 0,5-WA 80X10 100-40	77524-2342
800	5	5	0,5s	3	EPESA 814 800/5 5,0 0,5s-WA 80X10 100-40	77524-2346
800	5	10	0,5	3	EPESA 814 800/5 10 0,5-WA 80X10 100-40	77524-2362
800	5	10	0,5s	3	EPESA 814 8000/5 10 0,5s-WA 80X10 100-40	77524-2366
1000	5	2,5	0,2	3	EPESA 814 1000/5 2,5 0,2-WA 80x10 100-40	77524-2431
1000	5	5	0,2	3	EPESA 814 1000/5 5,0 0,2-WA 80X10 100-40	77524-2441
1000	5	5	0,5	3	EPESA 814 1000/5 5,0 0,5-WA 80X10 100-40	77524-2442
1000	5	5	0,5s	3	EPESA 814 1000/5 5,0 0,5s-WA 80X10 100-40	77524-2446
1000	5	10	0,5	3	EPESA 814 1000/5 10 0,5-WA 80X10 100-40	77524-2462
1000	5	10	0,5s	3	EPESA 814 1000/5 10 0,5s-WA 80X10 100-40	77524-2466
1000	5	15	0,5	3	EPESA 814 1000/5 15 0,5-WA 80X10 100-40	77524-2472
1000	5	15	0,5s	3	EPESA 814 1000/5 15 0,5s-WA 80X10 100-40	77524-2476
1200	5	2,5	0,2	3	EPESA 814 1200/5 2,5 0,2-WA 80X10 100-40	77524-2531
1200	5	5	0,2	3	EPESA 814 1200/5 5,0 0,2-WA 80X10 100-40	77524-2541
1200	5	5	0,5	3	EPESA 814 1200/5 5,0 0,5-WA 80X10 100-40	77524-2542
1200	5	5	0,5s	3	EPESA 814 1200/5 5,0 0,5s-WA 80X10 100-40	77524-2546

PTB-compliant current transformers for billing purposes

► Technical data, page 320



77524-1932

EPSA 814

Features:

- Window-type current transformer, PTB-compliant
- Primary busbar 80 x 10 mm (60 x 30), supplied with secondary terminal cover (SKLAD)

Primary current	Secondary current	VA	Accuracy class	PU	Product designation	Order no.
1200	5	10	0,5	3	EPSA 814 1200/5 10 0,5-WA 80X10 100-40	77524-2562
1200	5	10	0,5s	3	EPSA 814 1200/5 10 0,5s-WA 80X10 100-40	77524-2566
1200	5	15	0,5	3	EPSA 814 1200/5 15 0,5-WA 80X10 100-40	77524-2572
1200	5	15	0,5s	3	EPSA 814 1200/5 15 0,5s-WA 80X10 100-40	77524-2576
1250	5	2,5	0,2	3	EPSA 814 1250/5 2,5 0,2-WA 80X10 100-40	77524-2631
1250	5	5	0,2	3	EPSA 814 1250/5 5,0 0,2-WA 80X10 100-40	77524-2641
1250	5	5	0,5	3	EPSA 814 1250/5 5,0 0,5-WA 80X10 100-40	77524-2642
1250	5	5	0,5s	3	EPSA 814 1250/5 5,0 0,5s-WA 80X10 100-40	77524-2646
1250	5	10	0,5	3	EPSA 814 1250/5 10 0,5-WA 80X10 100-40	77524-2662
1250	5	10	0,5s	3	EPSA 814 1250/5 10 0,5s-WA 80X10 100-40	77524-2666
1250	5	15	0,5	3	EPSA 814 1250/5 15 0,5-WA 80X10 100-40	77524-2672
1250	5	15	0,5s	3	EPSA 814 1250/5 15 0,5s-WA 80X10 100-40	77524-2676
1500	5	2,5	0,2	3	EPSA 814 1500/5 2,5 0,2-WA 80X10 100-40	77524-2731
1500	5	5	0,2	3	EPSA 814 1500/5 5,0 0,2-WA 80X10 100-40	77524-2741
1500	5	5	0,5	3	EPSA 814 1500/5 5,0 0,5-WA 80X10 100-40	77524-2742
1500	5	5	0,5s	3	EPSA 814 1500/5 5,0 0,5s-WA 80X10 100-40	77524-2746
1500	5	10	0,5	3	EPSA 814 1500/5 10 0,5-WA 80X10 100-40	77524-2762
1500	5	10	0,5s	3	EPSA 814 1500/5 10 0,5s-WA 80X10 100-40	77524-2766
1500	5	15	0,5	3	EPSA 814 1500/5 15 0,5-WA 80X10 100-40	77524-2772
1500	5	15	0,5s	3	EPSA 814 1500/5 15 0,5s-WA 80X10 100-40	77524-2776
1600	5	2,5	0,2	3	EPSA 814 1600/5 2,5 0,2-WA 80X10 100-40	77524-2831
1600	5	5	0,2	3	EPSA 814 1600/5 5,0 0,2-WA 80X10 100-40	77524-2841
1600	5	5	0,5	3	EPSA 814 1600/5 5,0 0,5-WA 80X10 100-40	77524-2842
1600	5	5	0,5s	3	EPSA 814 1600/5 5,0 0,5s-WA 80X10 100-40	77524-2846
1600	5	10	0,5	3	EPSA 814 1600/5 10 0,5-WA 80X10 100-40	77524-2862
1600	5	10	0,5s	3	EPSA 814 1600/5 10 0,5s-WA 80X10 100-40	77524-2866
1600	5	15	0,5	3	EPSA 814 1600/5 15 0,5-WA 80X10 100-40	77524-2872
1600	5	15	0,5s	3	EPSA 814 1600/5 15 0,5s-WA 80X10 100-40	77524-2876



77525-3072

EPSA 1034

Features:

- Window-type current transformer, PTB-compliant
- Primary busbar 20 x 100 x 10 mm (80 x 50), supplied with secondary terminal cover (SKLAD)

Primary current	Secondary current	VA	Accuracy class	PU	Product designation	Order no.
600	5	2,5	0,5	1	EPSA 1034 600/5 2,5 0,5-WA2X100X10 135-40	77525-2132
600	5	5	0,5	1	EPSA 1034 600/5 5,0 0,5-WA2X100X10 135-40	77525-2142
600	5	5	0,5s	1	EPSA 1034 600/5 5,0 0,5s-WA2X100X10 135-40	77525-2146
600	5	10	0,5	1	EPSA 1034 600/5 10 0,5-WA2X100X10 135-40	77525-2162
600	5	10	0,5s	1	EPSA 1034 600/5 10 0,5s-WA2X100X10 135-40	77525-2166
750	5	2,5	0,2	1	EPSA 1034 750/5 2,5 0,2-WA2X100X10 135-40	77525-2231
750	5	2,5	0,5	1	EPSA 1034 750/5 2,5 0,5-WA2X100X10 135-40	77525-2232
750	5	2,5	0,5s	1	EPSA 1034 750/5 2,5 0,5s-WA2X100X10 135-40	77525-2236
750	5	5	0,5	1	EPSA 1034 750/5 5,0 0,5-WA2X100X10 135-40	77525-2242
750	5	5	0,5s	1	EPSA 1034 750/5 5,0 0,5s-WA2X100X10 135-40	77525-2246
750	5	10	0,5	1	EPSA 1034 750/5 10 0,5-WA2X100X10 135-40	77525-2262
750	5	10	0,5s	1	EPSA 1034 750/5 10 0,5s-WA2X100X10 135-40	77525-2266
800	5	2,5	0,2	1	EPSA 1034 800/5 2,5 0,2-WA2X100X10 135-40	77525-2331
800	5	2,5	0,5	1	EPSA 1034 800/5 2,5 0,5-WA2X100X10 135-40	77525-2332
800	5	2,5	0,5s	1	EPSA 1034 800/5 2,5 0,5s-WA2X100X10 135-40	77525-2336
800	5	5	0,5	1	EPSA 1034 800/5 5,0 0,5-WA2X100X10 135-40	77525-2342
800	5	5	0,5s	1	EPSA 1034 800/5 5,0 0,5s-WA2X100X10 135-40	77525-2346
800	5	10	0,5	1	EPSA 1034 800/5 10 0,5-WA2X100X10 135-40	77525-2362
800	5	10	0,5s	1	EPSA 1034 800/5 10 0,5s-WA2X100X10 135-40	77525-2366
800	5	15	0,5	1	EPSA 1034 800/5 15 0,5-WA2X100X10 135-40	77525-2372
800	5	15	0,5s	1	EPSA 1034 800/5 15 0,5s-WA2X100X10 135-40	77525-2376

PTB-compliant current transformers for billing purposes

► Technical data, page 320



77525-3072

EPSA 1034

Features:

- Window-type current transformer, PTB-compliant
- Primary busbar 20 x 100 x 10 mm (80 x 50), supplied with secondary terminal cover (SKLAD)

Primary current	Secondary current	VA	Accuracy class	PU	Product designation	Order no.
1000	5	2,5	0,2	1	EPSA 1034 1000/5 2,5 0,2-WA2X100X10 135-40	77525-2431
1000	5	2,5	0,5	1	EPSA 1034 1000/5 2,5 0,5-WA2X100X10 135-40	77525-2432
1000	5	2,5	0,5s	1	EPSA 1034 1000/5 2,5 0,5s-WA2X100X10 135-40	77525-2436
1000	5	5	0,2	1	EPSA 1034 1000/5 5,0 0,2-WA2X100X10 135-40	77525-2441
1000	5	5	0,5	1	EPSA 1034 1000/5 5,0 0,5-WA2X100X10 135-40	77525-2442
1000	5	5	0,5s	1	EPSA 1034 1000/5 5,0 0,5s-WA2x100x110	77525-2446
1000	5	10	0,5	1	EPSA 1034 1000/5 10 0,5-WA2X100X10 135-40	77525-2462
1000	5	10	0,5s	1	EPSA 1034 1000/5 10 0,5s-WA2X100X10 135-40	77525-2466
1000	5	15	0,5	1	EPSA 1034 1000/5 15 0,5-WA2X100X10 135-40	77525-2472
1000	5	15	0,5s	1	EPSA 1034 1000/5 15 0,5s-WA2X100X10 135-40	77525-2476
1200	5	2,5	0,2	1	EPSA 1034 1200/5 2,5 0,2-WA2X100X10 135-40	77525-2531
1200	5	5	0,2	1	EPSA 1034 1200/5 5 0,2-WA2X100X10 135-40	77525-2541
1200	5	5	0,5	1	EPSA 1034 1200/5 5 0,5-WA2X100X10 135-40	77525-2542
1200	5	5	0,5s	1	EPSA 1034 1200/5 5 0,5s-WA2X100X10 135-40	77525-2546
1200	5	10	0,2	1	EPSA 1034 1200/5 10 0,2-WA2X100X10 135-40	77525-2561
1200	5	10	0,5	1	EPSA 1034 1200/5 10 0,5-WA2X100X10 135-40	77525-2562
1200	5	10	0,5s	1	EPSA 1034 1200/5 10 0,5s-WA2X100X10 135-40	77525-2566
1200	5	15	0,5	1	EPSA 1034 1200/5 15 0,5-WA2X100X10 135-40	77525-2572
1200	5	15	0,5s	1	EPSA 1034 1200/5 15 0,5s-WA2X100X10 135-40	77525-2576
1250	5	2,5	0,2	1	EPSA 1034 1250/5 2,5 0,2s-WA2X100X10 135-40	77525-2631
1250	5	2,5	0,5s	1	EPSA 1034 1250/5 2,5 0,5s-WA2X100X10 135-40	77525-2636
1250	5	5	0,2	1	EPSA 1034 1250/5 5,0 0,2-WA2X100X10 135-40	77525-2641
1250	5	5	0,5	1	EPSA 1034 1250 5 0,5-WA 80x10 100-40	77525-2642
1250	5	5	0,5s	1	EPSA 1034 1250/5 5,0 0,5s-WA2X100X10 135-40	77525-2646
1250	5	10	0,2	1	EPSA 1034 1250/5 10 0,2-WA2X100X10 135-40	77525-2661
1250	5	10	0,5	1	EPSA 1034 1250/5 10 0,5-WA2X100X10 135-40	77525-2662
1250	5	10	0,5s	1	EPSA 1034 1250/5 10 0,5s-WA2X100X10 135-40	77525-2666
1250	5	15	0,5	1	EPSA 1034 1250/5 15 0,5-WA2X100X10 135-40	77525-2672
1250	5	15	0,5s	1	EPSA 1034 1250/5 15 0,5s-WA2X100X10 135-40	77525-2676
1500	5	5	0,2	1	EPSA 1034 1500/5 5 0,2-WA2X100X10 135-40	77525-2741
1500	5	5	0,5	1	EPSA 1034 1500/5 5 0,5-WA2X100X10 135-40	77525-2742
1500	5	5	0,5s	1	EPSA 1034 1500/5 5 0,5s-WA2X100X10 135-40	77525-2746
1500	5	10	0,2	1	EPSA 1034 1500/5 10 0,2-WA2X100X10 135-40	77525-2761
1500	5	10	0,5	1	EPSA 1034 1500/5 10 0,5-WA2X100X10 135-40	77525-2762
1500	5	10	0,5s	1	EPSA 1034 1500/5 10 0,5s-WA2X100X10 135-40	77525-2766
1500	5	15	0,5	1	EPSA 1034 1500/5 15 0,5-WA2X100X10 135-40	77525-2772
1500	5	15	0,5s	1	EPSA 1034 1500/5 15 0,5s-WA2X100X10 135-40	77525-2776
1500	5	30	0,5	1	EPSA 1034 1500/5 30 0,5-WA2X100X10 135-40	77525-2782
1500	5	30	0,5s	1	EPSA 1034 1500/5 30 0,5s-WA2X100X10 135-40	77525-2786
1600	5	5	0,2	1	EPSA 1034 1600/5 5 0,2-WA2X100X10 135-40	77525-2841
1600	5	5	0,5	1	EPSA 1034 1600/5 5 0,5-WA2X100X10 135-40	77525-2842
1600	5	5	0,5s	1	EPSA 1034 1600/5 5 0,5s WA2X100X10	77525-2846
1600	5	10	0,2	1	EPSA 1034 1600/5 10 0,2-WA2X100X10 135-40	77525-2861
1600	5	10	0,5	1	EPSA 1034 1600/5 10 0,5-WA2X100X10 135-40	77525-2862
1600	5	10	0,5s	1	EPSA 1034 1600/5 10 0,5s-WA2X100X10 135-40	77525-2866
1600	5	15	0,5	1	EPSA 1034 1600/5 15 0,5-WA2X100X10 135-40	77525-2872
1600	5	15	0,5s	1	EPSA 1034 1600/5 15 0,5s-WA2X100X10 135-40	77525-2876
1600	5	30	0,5	1	EPSA 1034 1600/5 30 0,5-WA2X100X10 135-40	77525-2882
1600	5	30	0,5s	1	EPSA 1034 1600/5 30 0,5s-WA2X100X10 135-40	77525-2886
2000	5	5	0,2	1	EPSA 1034 2000/5 5 0,2-WA2X100X10 135-40	77525-2941
2000	5	5	0,5	1	EPSA 1034 2000/5 5 0,5-WA2X100X10 135-40	77525-2942
2000	5	5	0,5s	1	EPSA 1034 2000/5 5 0,5s-WA2X100X10 135-40	77525-2946
2000	5	10	0,2	1	EPSA 1034 2000/5 10 0,2-WA2X100X10 135-40	77525-2961
2000	5	10	0,5	1	EPSA 1034 2000/5 10 0,5-WA2X100X10 135-40	77525-2962
2000	5	10	0,5s	1	EPSA 1034 2000/5 10 0,5s-WA2X100X10 135-40	77525-2966

Measurement and Communication

PTB-compliant current transformers for billing purposes

► Technical data, page 320



77525-3072

EPSA 1034

Features:

- Window-type current transformer, PTB-compliant
- Primary busbar 20 x 100 x 10 mm (80 x 50), supplied with secondary terminal cover (SKLAD)

Primary current	Secondary current	VA	Accuracy class	PU	Product designation	Order no.
2000	5	15	0,2	1	EPSA 1034 2000/5 15 0,2-WA2X100X10 135-40	77525-2971
2000	5	15	0,5	1	EPSA 1034 2000/5 15 0,5-WA2X100X10 135-40	77525-2972
2000	5	15	0,5s	1	EPSA 1034 2000/5 15 0,5s-WA2X100X10 135-40	77525-2976
2000	5	30	0,5	1	EPSA 1034 2000/5 30 0,5-WA2X100X10 135-40	77525-2982
2000	5	30	0,5s	1	EPSA 1034 2000/5 30 0,5s-WA2X100X10 135-40	77525-2986
2400	5	5	0,2	1	EPSA 1034 2400/5 5 0,2-WA2X100X10 135-40	77525-3041
2400	5	5	0,5	1	EPSA 1034 2400/5 5 0,5-WA2X100X10 135-40	77525-3042
2400	5	5	0,5s	1	EPSA 1034 2400/5 5 0,5s-WA2X100X10 135-40	77525-3046
2400	5	10	0,2	1	EPSA 1034 2400/5 10 0,2-WA2X100X10 135-40	77525-3061
2400	5	10	0,5	1	EPSA 1034 2400/5 10 0,5-WA2X100X10 135-40	77525-3062
2400	5	10	0,5s	1	EPSA 1034 2400/5 10 0,5s-WA2X100X10 135-40	77525-3066
2400	5	15	0,2	1	EPSA 1034 2400/5 15 0,2-WA2X100X10 135-40	77525-3071
2400	5	15	0,5	1	EPSA 1034 2400/5 15 0,5-WA2X100X10 135-40	77525-3072
2400	5	15	0,5s	1	EPSA 1034 2400/5 15 0,5s-WA2X100X10 135-40	77525-3076
2400	5	30	0,5	1	EPSA 1034 2400/5 30 0,5-WA2X100X10 135-40	77525-3082
2400	5	30	0,5s	1	EPSA 1034 2400/5 30 0,5s-WA2X100X10 135-40	77525-3086
2500	5	5	0,2	1	EPSA 1034 2500/5 5 0,2-WA2X100X10 135-40	77525-3141
2500	5	5	0,5	1	EPSA 1034 2500/5 5 0,5-WA2X100X10 135-40	77525-3142
2500	5	5	0,5s	1	EPSA 1034 2500/5 5 0,5s-WA2X100X10 135-40	77525-3146
2500	5	10	0,2	1	EPSA 1034 2500/5 10 0,2-WA2X100X10 135-40	77525-3161
2500	5	10	0,5	1	EPSA 1034 2500/5 10 0,5-WA2X100X10 135-40	77525-3162
2500	5	10	0,5s	1	EPSA 1034 2500/5 10 0,5s-WA2X100X10 135-40	77525-3166
2500	5	15	0,2	1	EPSA 1034 2500/5 15 0,2-WA2X100X10 135-40	77525-3171
2500	5	15	0,5	1	EPSA 1034 2500/5 15 0,5-WA2X100X10 135-40	77525-3172
2500	5	15	0,5s	1	EPSA 1034 2500/5 15 0,5s-WA2X100X10 135-40	77525-3176
2500	5	30	0,5	1	EPSA 1034 2500/5 30 0,5-WA2X100X10 135-40	77525-3182
2500	5	30	0,5s	1	EPSA 1034 2500/5 30 0,5s-WA2X100X10 135-40	77525-3186
3000	5	30	0,5s	1	EPSA 1034 2500/5 30 0,5s-WA2X100X10 135-40	77525-3286

Current transformer accessories

Accessories

Designation	Variant	PU	Product designation	Order no.
PRIMARY CONDUCTOR 21 x 12.5 32 LONG	Cylindrical copper primary 1 conductor, diameter 21 mm, bore 12.5 mm, length 32 mm For transformer PSA 514 PSA 614 PSA 814 PSA 1034 PSA 1254 PSA 1274	1	PRIMÄRLEITER 21 X 12,5 32 LANG	36551-0010
PRIMARY CONDUCTOR 30 x 12.5 32 LONG	Cylindrical copper primary 1 conductor, diameter 30 mm, bore 12.5 mm, length 32 mm For transformer PSR	1	PRIMÄRLEITER 30 X 12,5 32 LANG	36561-0010
PRIMARY CONDUCTOR 21 x 8.5 32 LONG	Cylindrical copper primary conductor, diameter 21 mm, bore 8.5 mm, length 32 mm For transformer PSR 200.1 PSR 203	1	PRIMÄRLEITER 21 X 8,5 32 LANG	36563-0010
PRIMARY CONDUCTOR 22.5 x 12.5 32 LONG	Cylindrical copper primary conductor, diameter 22.5 mm, bore 12.5 mm, length 32 mm For transformer PSR 253	1	PRIMÄRLEITER 22,5 X 12,5 32 LANG	36565-0010
PRIMARY CONDUCTOR 21 x 12.5 52 LONG	Cylindrical copper primary conductor, diameter 21 mm, bore 12.5 mm, length 52 mm For transformer PSR 205	1	PRIMÄRLEITER 21 X 12,5 52 LANG	36584-0010
PRIMARY CONDUCTOR 21 x 8,5 52 LONG, BARE	Cylindrical copper primary conductor, diameter 21 mm, bore 8.5 mm, length 52 mm For transformer PSR 205	1	PRIMÄRLEITER 21 X 8,5 52 LANG BLANK	36628-0010
Secondary terminal cover SKLAD 213-413	For transformer PSA 213 PSA 313 PSA 413 PSR 253	1	SKLAD 213-413(SEKUNDÄR- KLEMMENABDECKUNG)	36552-0010
Secondary terminal cover SKLAD 215-415/ 317.1-517.1	PSR 253/30 For transformer PSA 215 PSA 315 PSA 417.1 PSA 517.1	1	SKLAD PSA 215-415/317.1-517.1 PSW55	36553-0010
Secondary terminal cover SKLAD 513/613/623/624	PSW 55 For transformer PSA 513 PSA 613 PSA 623 PSA 625	1	SKLAD 513/613/623/624	36554-0010
Secondary terminal cover SKLAD 113	PSA 633 For transformer PSA 113 PSR 203	1	SKLAD 113	36562-0010
Secondary termi- nal cover SKLAD PSA 514,614,634,814,1034,1254,1274	For transformer PSA 514 PSA 614 PSA 814 PSA 1034 PSA 1254 PSA 1274	1	SKLAD PSA 514,614,634,814,1034,1254,1274	36614-0010
SUPPORTING RAIL / TOP-HAT RAIL ATTACHMENT SBF 5-6/3	For transformer PSA 213 PSA 113 PSA 313 PSA 413 PSR 203 PSR 253	1	TRAG-/HUTSCHIENEN- BEFESTIGUNG SBF 5-6/3	36555-0010
Special NH solid link of size 2 to be used with PSA 113	PSR 253/30	1	TRENNMESSER GR.2 FÜR WANDLER	36717-0010

Low-voltage current transformers

Product range overview

	Primary conductor	Primary current	Classes
Window-type current transformers	20 mm x 10 mm – 4x 120 mm x 10 mm	40 A – 5000 A	1 / 0.5
Window-type current transformers	20 mm x 10 mm – 4x 120 mm x 10 mm	75 A – 3000 A	0.5 / 0.2 / 0.5S / 0.2S
Tube-type current transformer	Ø 21 mm – Ø 30 mm	50 A – 600 A	1 / 0.5
Tube-type current transformer	Ø 21 mm – Ø 30 mm	75 A – 600 A	0.5 / 0.5S
Wound-primary current transformers	–	5 A – 200 A	0.5 / 0.2 / 0.5S / 0.2S
Summation current transformers	2 – 10 circuits	2 x 5 A - 10 x 5 A	1 / 0.5
Summation current transformer	2 – 10 circuits	2 x 1 A - 10 x 1 A	0.2

Overview of PSA window-type current transformers

Transformer type	PSA 213	PSA 215	PSA 113	PSA 115	PSA 313	PSA 315	PSA 413	PSA 415
Transformer dimensions height x width x depth	78 x 60 x 30	85 x 60 x 55	70 x 50 x 30	70 x 50 x 50	78 x 60 x 30	85 x 60 x 55	78 x 60 x 30	85 x 60 x 55
Primary busbar	20 x 10	20 x 10	30 x 10	30 x 10	30 x 10	30 x 10	40 x 12	40 x 12
Maximum primary round conductor dimensions	20	20	–	–	28	28	28	32

Secondary rated current 5 A or 1 A:

Accuracy classes	0,5	1	0,5	1	0,5	1	0,5	1	0,5	1	0,5	1	0,5	1	0,5	1
Min. primary current	75	50	100	40	150	60	100	50	100	100	75	75	200	150	600	150
Maximum primary current	300	300	150	150	600	600	600	600	600	600	400	400	800	800	300	800

Transformer type	PSA 513	PSA 613	PSA 633	PSA 814	PSA 1034	PSA 1254	PSA 1274
Transformer dimensions Height x width x depth	108 x 85 x 30	108 x 85 x 30	108,5 x 89,5 x 30	122 x 100 x 40	160 x 135 x 40	189 x 159,5 x 40	198 x 159,5 x 40
Primary busbar	50 x 12	60 x 10	60 x 30	80 x 10	3 x 100 x 10*	3 x 120 x 10*	4 x 120 x 10*
Maximum primary round conductor dimensions	45	45	–	60	85	98	–

Secondary rated current 5 A or 1 A:

Accuracy classes	0,5	1	0,5	1	0,5	1	0,5	1	0,5	1	0,5	1	0,5	1
Min. primary current	250	200	400	400	800	800	400	400	400	400	1000	800	1600	800
Maximum primary current	1250	1250	1600	1600	1600	1600	2000	2000	4000	4000	5000	5000	4000	4000

* Busbars can be spaced at 10 mm.

Overview of PSR tube-type current transformers

Transformer type	PSR 200	PSR 200.1	PSR 203	PSR 205	PSR 253	PSR 253/30
Transformer dimensions height x width x depth	65 x 44 x 30	65 x 44 x 30	70 x 50 x 30	70 x 50 x 50	78 x 60 x 30	78 x 60 x 30
Maximum primary round conductor dimensions	21	21	21	21	22,5	30

Secondary rated current 5 A or 1 A:

Accuracy classes	0,5	1	0,5	1	0,5	1	0,5	1	0,5	1	0,5	1
Min. primary current	100	50	100	50	80	75	50	50	75	50	125	100
Maximum primary current	300	300	300	300	300	300	300	300	600	600	1000	1000

Low-voltage current transformers

Technical data acc. to VDE 0414 T 44-1 / IEC/EN 60044-1

Primary rated current I_{1N}	Window-type current transformer	40 A – 5000 A
	Wound-primary current transformer	5 A – 200 A
	Tube-type current transformer	50 A – 600 A
	Summation current transformer	1 A and 5 A, up to 10 circuits
Secondary rated current I_{2N}	1 A, 5 A	
Rated frequency	50 – 60 Hz (special variants 162/3 – 400 Hz available on request)	
Maximum voltage at equipment U_m	720 V (special variants up to 1200 V available on request)	
Rated power-frequency withstand current (impulse-withstand voltage)	3 kV (special variants up to 6 kV available on request)	
Overcurrent limiting factor (FS)	FS 5	
Thermal rated uninterrupted current	$1,2 * I_{1N}$	
Current rating	120 %	
Thermal rated short-time current	$I_{th} = 60 * I_{1N}$ max. 50 kA	
Rated dynamic current	$I_{dyn} = 2,5 * I_{th}$ max. 120 kA	
Permissible ambient temperature	-40 °C to + 40 °C	
Insulating material class acc. to IEC 60085	E (B and F on request)	
Degree of protection acc. to DIN/EN 60529/VDE 0470 T1	IP 20	
Tightening torque of secondary terminals	1.5 to 2 Nm	
Secondary terminal cross-section	1,5-6 mm ²	

Information on current transformer selection

Current transformers must primarily be selected according to the mechanical configuration and dimensions of the copper busbars.

Permissible measurement range Current transformers can be operated at up to 1.2-times the primary rated current, thereby complying with class accuracy. For a 630-A busbar system, a current transformer with a primary rated current of 600 A can be selected. This transformer complies with class accuracy for up to 720 A.

Current transformer burden The accuracy of current transformer measurements is ensured if the transformer is operated between the full rated output (burden), e.g. 10 VA, and 1/4 of the burden. At half of the burden, transformers with a rated output of 2.5 VA or less still comply with class accuracy.

Earthing of secondary circuit Earthing of the secondary circuit of EFEN low-voltage current transformers is not necessary as these transformers have no large exposed metal housing parts.

Power demand The output required from a transformer depends on the lines and measurement equipment connected to it. Current measuring instruments can be connected in series, thereby increasing the power demand.

Due to Ohm's law, 1-A current transformers require considerably less power than 5-A transformers. Consequently, transformers with a secondary current of 1 A should be selected if connection lines are longer than 10 m.

PTB-compliant current transformers for billing purposes complying with German law

Manufacturer's declaration

Device:

Low-voltage current transformer EPSA with design certification and assessment of conformity



Module D



Module F

Approval:

According to the "Act on the Re-organisation of Statutory Metrology" entered into force on 25 April 2013 and the ensuing regulation establishing new rules for statutory metrology and for harmonising it with European legislation entered into force on 11 December 2014, the initial calibration of summary current transformers in its current form e.g. by a state-approved testing bodies is abolished. Compliance of summary current transformers with applicable statutory regulations as well as technical standards and requirements is ensured either by certified production and final inspection (module D) or by an external testing body (module F). A compliance check according to module F must be commissioned directly by the manufacturer.

Retroactive calibration of suitable transformers is not provided for by law. Consequently, the terms "suitable for calibration" or "suitable for certification" may no longer be used.

As of 2015, EFEN therefore offers PTB-compliant low-voltage current transformers according to module D or F.

Low-voltage current transformers

Power demand of a double-strand line in VA for secondary currents of 1 A

Conductor cross-section	Power demand in VA depending on cable length									
	10 m	20 m	30 m	40 m	50 m	60 m	70 m	80 m	90 m	100 m
1 mm ²	0,36	0,71	1,07	1,43	1,79	2,14	2,50	2,86	3,21	3,57
1,5 mm ²	0,24	0,48	0,71	0,95	1,19	1,43	1,67	1,90	2,14	2,38
2,5 mm ²	0,14	0,29	0,43	0,57	0,71	0,86	1,00	1,14	1,29	1,43
4 mm ²	0,09	0,18	0,27	0,36	0,45	0,54	0,63	0,71	0,80	0,89
6 mm ²	0,06	0,12	0,18	0,24	0,30	0,36	0,42	0,48	0,54	0,60
10 mm ²	0,04	0,07	0,11	0,14	0,18	0,21	0,25	0,29	0,32	0,36

Power demand of a double-strand line in VA for secondary currents of 5 A

Conductor cross-section	Power demand in VA depending on cable length									
	1 m	2 m	4 m	6 m	8 m	10 m	15 m	20 m	30 m	40 m
1,5 mm ²	0,60	1,19	2,38	3,57	4,76	5,95	8,93	11,90	17,86	23,81
2,5 mm ²	0,36	0,71	1,43	2,14	2,86	3,57	5,36	7,14	10,71	14,29
4 mm ²	0,22	0,45	0,89	1,34	1,79	2,23	3,35	4,46	6,70	8,93
6 mm ²	0,15	0,30	0,60	0,89	1,19	1,49	2,23	2,98	4,46	5,95
10 mm ²	0,09	0,18	0,36	0,54	0,71	0,89	1,34	1,79	2,68	3,57

Generally, the power demand of the measurement device and measuring line should be less than the total rated output (rated burden) and more than ¼ of the rated output of the current transformer. This ensures accurate measurements within the specified accuracy range.

$S_{CT} > 2,5 \text{ VA}$	$S_{CT} > S_{Cable} + S_{Meter} > \frac{1}{4} S_{CT}$
$S_{CT} \leq 2,5 \text{ VA}$	$S_{CT} > S_{Cable} + S_{Meter} > \frac{1}{2} S_{CT}$

S_{CT} Rated output of the transformer (rated burden)
 S_{Cable} Power demand of the line
 S_{Meter} Power demand of the measurement device

EFEN low-voltage current transformers

Product features

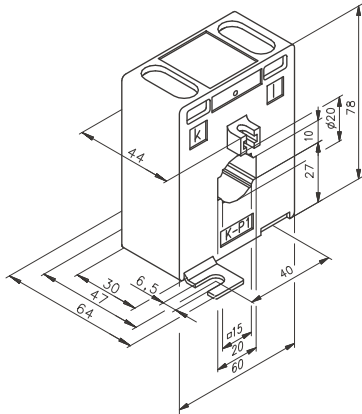
- Robust and cost-effective design
- High-quality, flame-resistant plastics made of glass-fibre reinforced polycarbonate
- Excellent technical data
- Applications for various busbar sizes
- Easy installation on the busbar
- Accuracy classes acc. to VDE 0414 T 44-1 / IEC/EN 60044-1 and IEC 185 (1987)
- Fasteners for busbar and baseplate mounting

Low-voltage current transformers

PSA 213 – 315

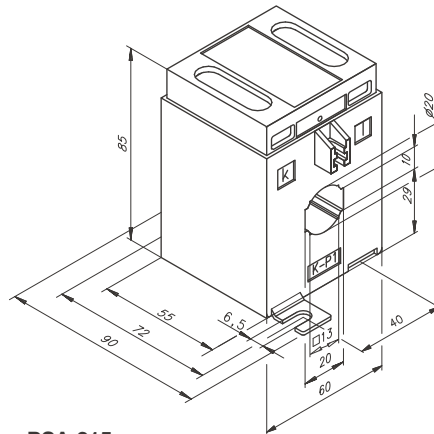
Window-type current transformers

Primary currents from 50 to 300 A, for busbars of 20 x 10 mm and base-plates, according to VDE 0414 T44-1 / IEC/EN 60044-1



PSA 213

Primary busbar 20 x 10 mm, 15 x 15 mm
Max. round cable Ø 20 mm

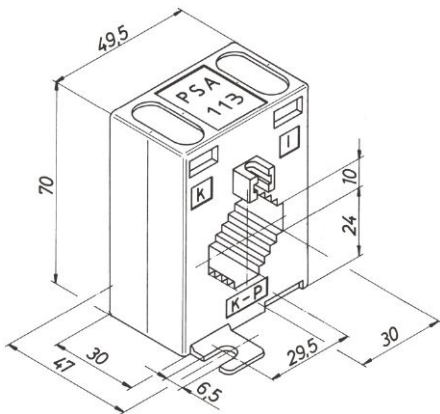


PSA 215

Primary busbar 20 x 10 mm, 15 x 15 mm
Max. round cable Ø 20 mm

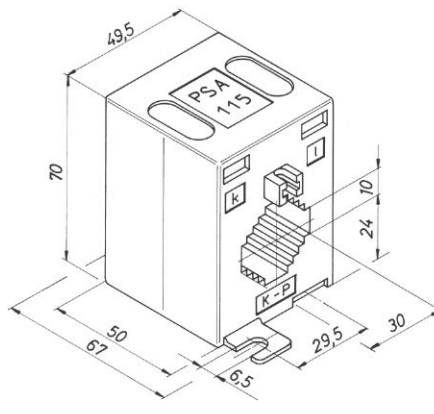
Window-type current transformers

Primary currents from 50 to 600 A, for busbars of 30 x 10 mm and base-plates, according to VDE 0414 T44-1 / IEC/EN 60044-1



PSA 113

Primary busbar 30 x 10 mm, 25 x 15 mm, 20 x 20 mm

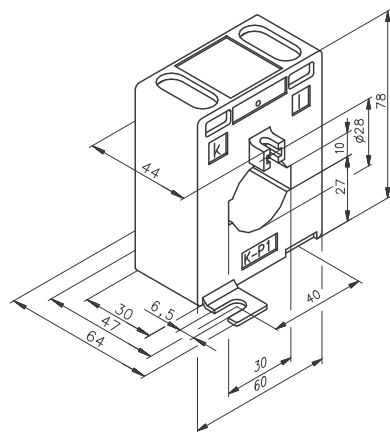


PSA 115

Primary busbar 30 x 10 mm, 25 x 15 mm, 20 x 20 mm

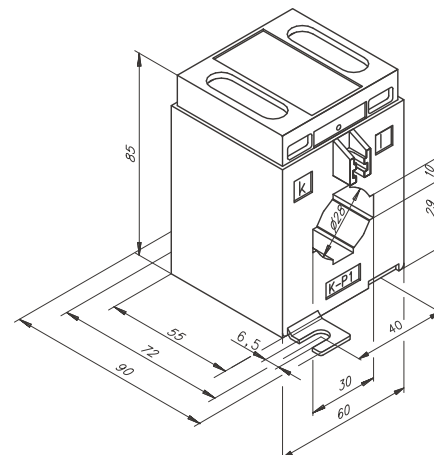
Window-type current transformers

Primary currents from 75 to 600 A, for busbars 30 x 10 mm and base-plates, according to VDE 0414 T44-1 / IEC/EN 60044-1



PSA 313

Primary busbar 30 x 10 mm
Max. round cable Ø 28 mm



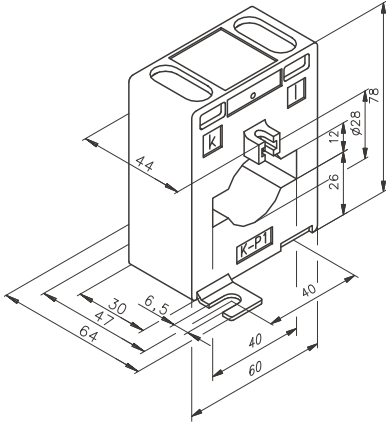
PSA 315

Primary busbar 30 x 10 mm
Max. round cable Ø 28 mm

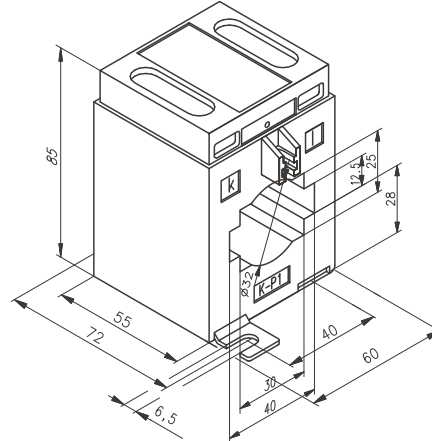
Low-voltage current transformers PSA 413 – 633

Window-type current transformers

Primary currents from 150 to 800 A, for busbars 40 x 12 mm and base-plates, according to VDE 0414 T44-1 / IEC/EN 60044-1



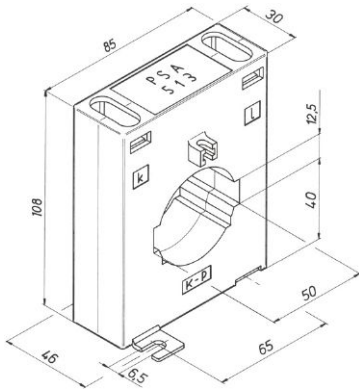
PSA 413
Primary busbar 40 x 12 mm
Max. round cable Ø 28 mm



PSA 415
Primary busbar 40 x 12 mm, 30 x 25 mm
Max. round cable Ø 32 mm

Window-type current transformers

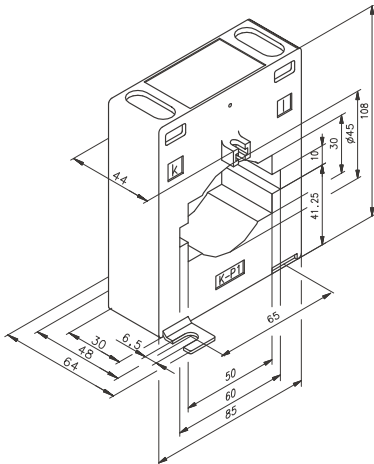
Primary currents from 200 to 1250 A, for busbars 50 x 12 mm and base-plates, according to VDE 0414 T44-1 / IEC/EN 60044-1



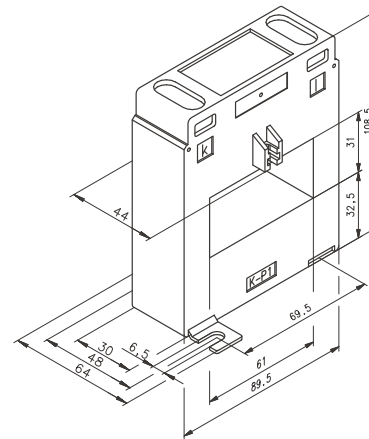
PSA 513
Primary busbar 50 x 12 mm, 40 x 23 mm
Max. round cable Ø 45 mm

Window-type current transformers

Primary currents from 400 to 1600 A, for busbars 60 x 10 (-30) mm and base-plates, according to VDE 0414 T44-1 / IEC/EN 60044-1



PSA 613
Primary busbar 60 x 10 mm; 50 x 30 mm
Max. round cable Ø 45 mm



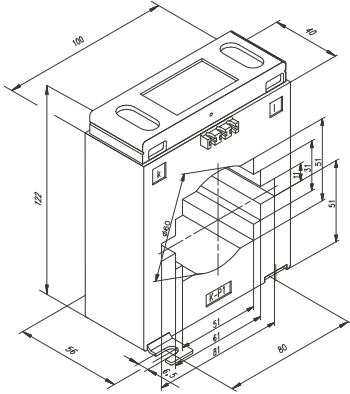
PSA 633
Primary busbar 60 x 30 mm

Low-voltage current transformers

PSA 814 – 1274

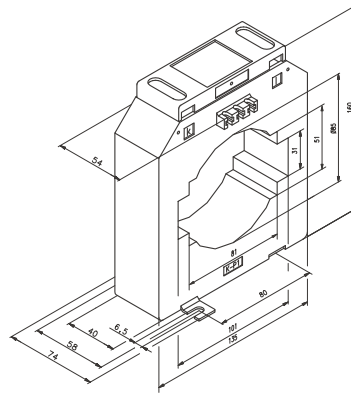
Window-type current transformers

Primary current from 400 to 4000 A, for busbars 80 x 10 / 2 x 100 x 10 mm and base-plates, according to VDE 0414 T44-1 / IEC/EN 60044-1



PSA 814

Primary busbar 80 x 10 mm; 60 x 30 mm
Max. round cable Ø 60 mm

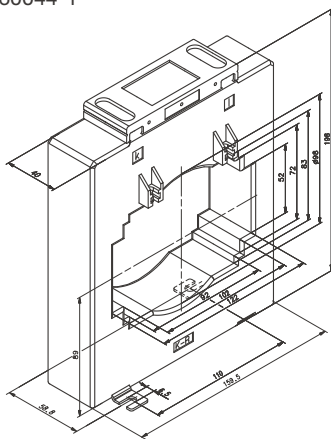


PSA 1034

Primary busbar 2 x 100 x 10 mm; 80 x 50 mm
Max. round cable Ø 85 mm

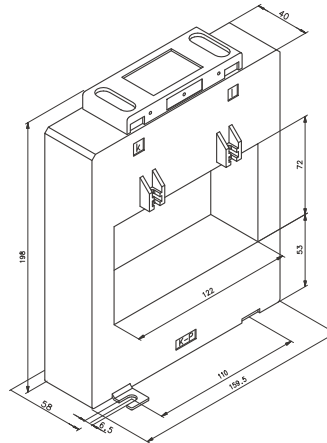
Window-type current transformers

Primary current from 1800 to 5000 A, for busbars 3 x 120 x 10 / 4 x 120 x 10 mm and base-plates, according to VDE 0414 T44-1 / IEC/EN 60044-1



PSA 1254

Primary busbar 3 x 120 x 10 mm
Max. round cable Ø 98 mm



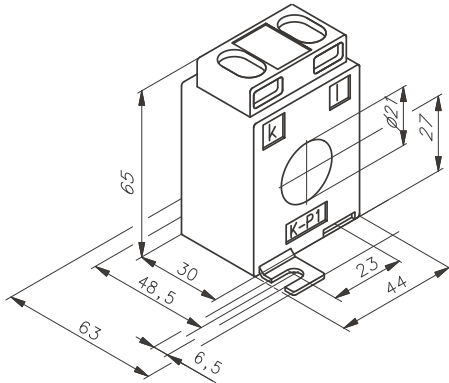
PSA 1274

Primary busbar 4 x 120 x 10 mm

Low-voltage current transformers Tube-type current transformers PSR 200 – PSR 253/30

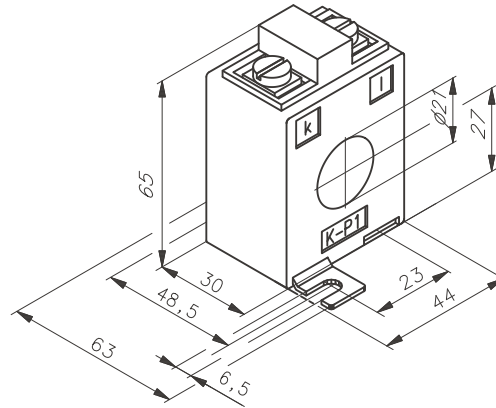
Tube-type current transformers

Primary currents from 50 to 300 A; acc. to VDE 0414 T44-1 / IEC/EN 60044-1



PSR 200

Max. round cable \varnothing 21 mm
 $I_{1N} = 50 \text{ A} - 300 \text{ A}$

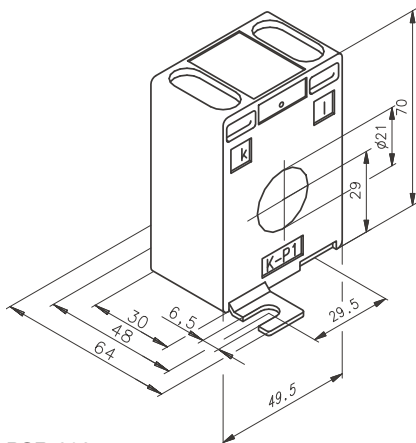


PSR 200.1

Max. round cable \varnothing 21 mm
 $I_{1N} = 50 \text{ A} - 300 \text{ A}$

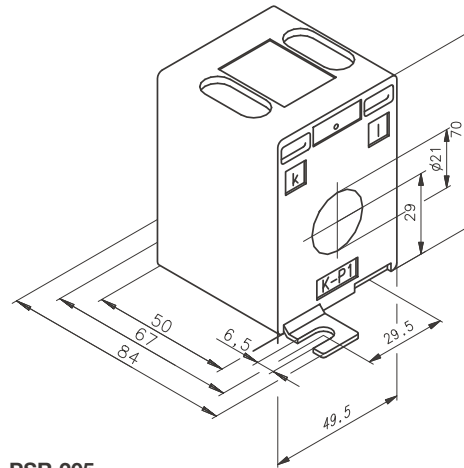
Tube-type current transformers

Primary currents from 50 to 300 A, acc. to VDE 0414 T44-1 / IEC/EN 60044-1



PSR 203

Max. round cable \varnothing 21 mm
 $I_{1N} = 75 \text{ A} - 300 \text{ A}$

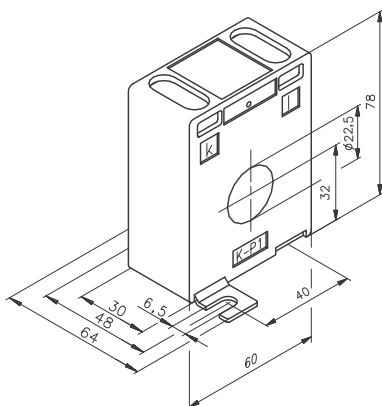


PSR 205

Max. round cable \varnothing 21 mm
 $I_{1N} = 50 \text{ A} - 300 \text{ A}$

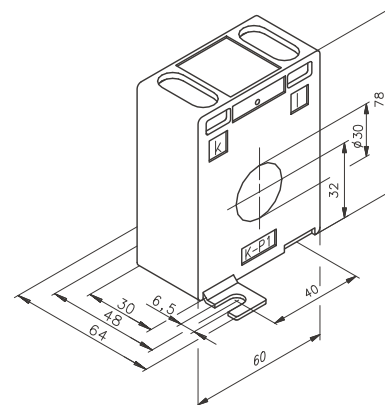
Tube-type current transformers

Primary currents from 50 to 600 A, acc. to VDE 0414 T44-1 / IEC/EN 60044-1



PSR 253

Max. round cable \varnothing 22.5 mm
 $I_{1N} = 50 \text{ A} - 600 \text{ A}$



PSR 253/30

Max. round cable \varnothing 30 mm
 $I_{1N} = 125 \text{ A} - 600 \text{ A}$

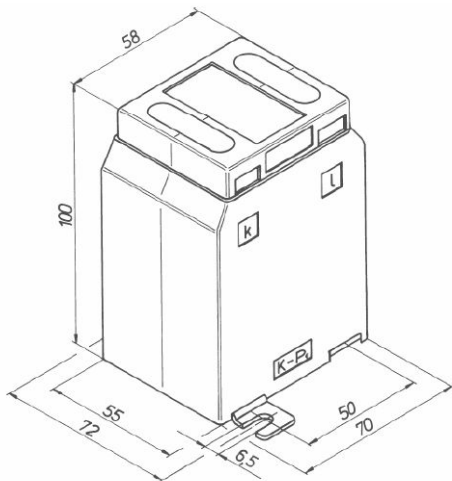
Low-voltage current transformers

Wound-primary current transformers PSW 55, PSW 70

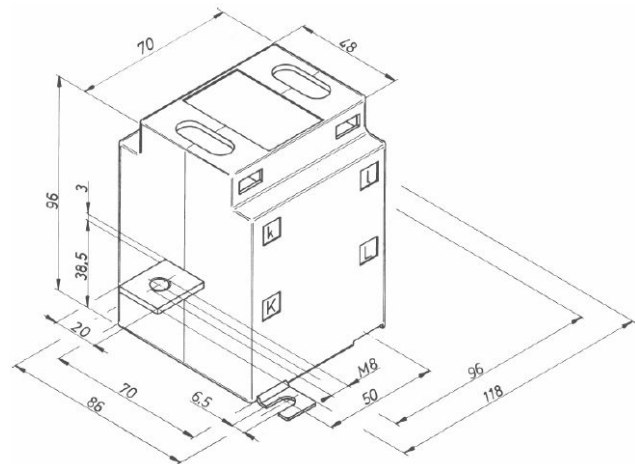
Wound-primary current transformers

5 to 200 A, acc. to VDE 0414 T44-1 / IEC/EN 60044-1

At low current transformer ratios, window-type current transformers can only achieve lower power outputs and accuracy classes. Therefore, the use of wound-primary current transformers is recommended if higher power outputs and accuracy classes are required. In wound-primary current transformers, the primary conductor is wound several times on the magnetic core of the current transformer.



PSW 55
 $I_{1N} = 5 \text{ A} - 40 \text{ A}$



PSW 70
 $I_{1N} = 50 \text{ A} - 200 \text{ A}$

Low-voltage current transformers

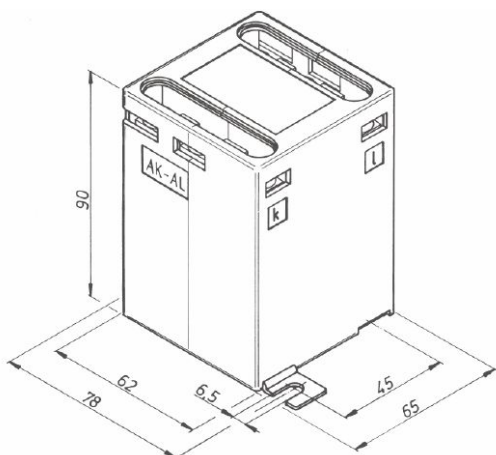
Summation current transformers PSS 2, PGSU

Summation current transformers

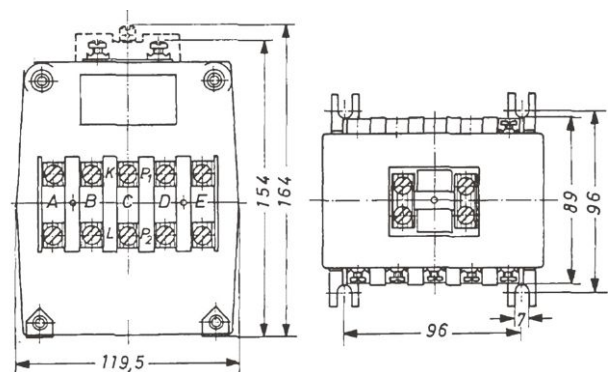
2 – 10 circuits, acc. to VDE 0414 T44-1 / IEC/EN 60044-1

Summation current transformers are used if several window-type current transformers shall be combined into one measurement unit. Here, it must be ensured that window-type current transformers of the same phase are combined with the summation current transformer.

EFEN summation current transformers allow up to 10 power feeders with different window-type current transformers to be combined into one current measurement unit.



PSS 2
 $I_{1N} = 1 \text{ A} + 1 \text{ A} / 5 \text{ A} + 5 \text{ A}$
 $2 \times 5 \text{ A} / 2 \times 1 \text{ A}$

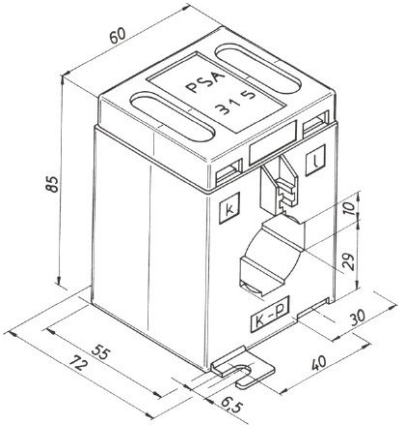


PGSU
 $I_{1N} = 3 \times 5 \text{ A} - 10 \times 5 \text{ A}$

PTB-compliant current transformers for billing purposes EPSA 315 – EPSA 417.2

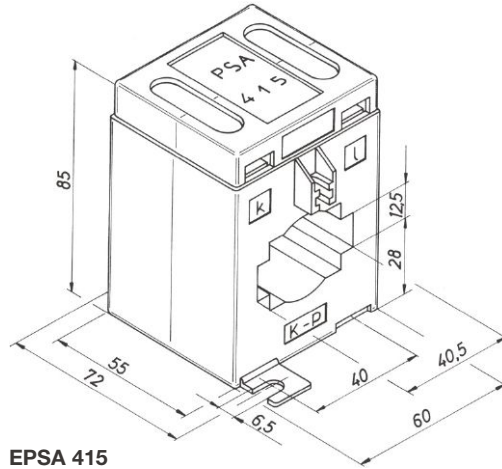
Current transformers for billing purposes

For busbars 30 x 10 / 40 x 10 mm and base-plates, acc. to VDE 0414 T44-1 / IEC/EN 60044-1



EPSA 315

Primary busbar 30 x 10 mm
Max. round cable Ø 28 mm

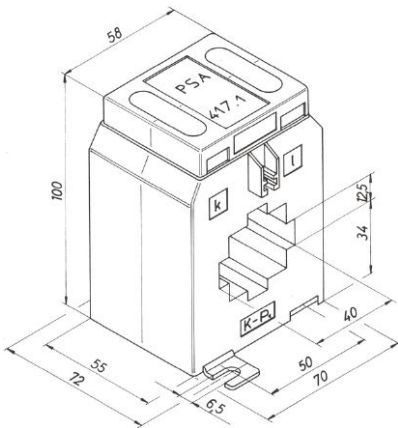


EPSA 415

Primary busbar 40 x 12 mm, 30 x 25 mm
Max. round cable Ø 32 mm

Current transformers for billing purposes

Busbar 40 x 12 mm, acc. to VDE 0414 T44-1 / IEC/EN 60044-1

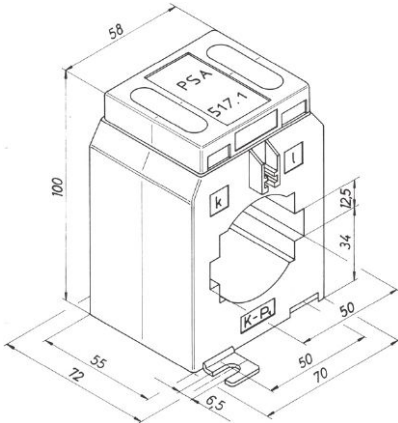


EPSA 417.1

Primary busbar 40 x 12 mm, 30 x 30 mm

Current transformers for billing purposes

Busbar 50 x 12 mm, acc. to VDE 0414 T44-1 / IEC/EN 60044-1



EPSA 517.1

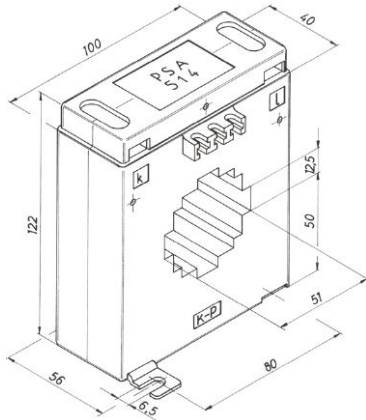
Primary busbar 50 x 12 mm, 40 x 30 mm
Max. round cable Ø 43 mm

PTB-compliant current transformers for billing purposes

EPSA 517.1 – EPSA 1034

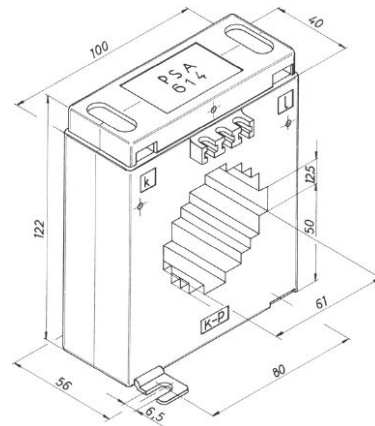
Current transformers for billing purposes

Busbars 50 x 12 / 60 x 10 mm, acc. to VDE 0414 T44-1 / IEC 60044-1



EPSA 514

Primary busbar 50 x 12 mm, 40 x 30 mm
Max. round cable Ø 46 mm

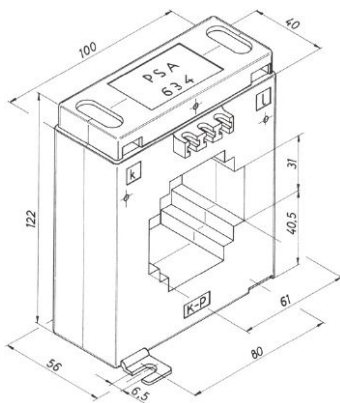


EPSA 614

Primary busbar 60 x 12 mm, 50 x 30 mm, 40 x 40 mm

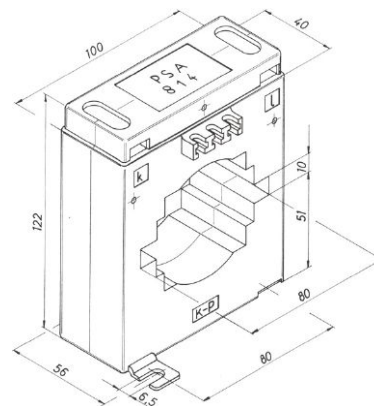
Current transformers for billing purposes

Busbar 60 x 30 / 80 x 10 mm, acc. to VDE 0414 T44-1/IEC/EN 60044-1



EPSA 634

Primary busbar 60 x 30 mm,
50 x 40 mm

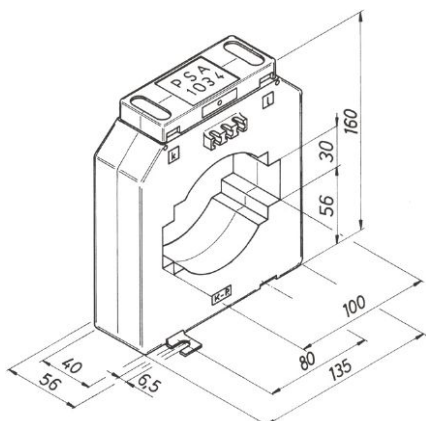


EPSA 814

Primary busbar 80 x 10 mm, 60 x 30 mm,
50 x 50 mm
Max. round cable Ø 60 mm

Current transformers for billing purposes

Busbar 2 x 100 x 10 mm, acc. to VDE 0414 T44-1 / IEC/EN 60044-1



EPSA 1034

Primary busbar 2 x 100 x 10 mm, 80 x 50 mm
Max. round cable Ø 85 mm

Current transformers for NH Fuse-Switches

► Technical data, page 332



77283-6313

E³ low-voltage current-transformer block for E³ NH Fuse-Switches, vertical design, size 00/100

Features:

Current transformer block, class 1; 0.5 retrofitable, terminal 2.5 mm²
One-phase or three-phase measurement (one-phase measurement on L1)

Designation	Size	PU	Product designation	Order no.
100/1, class 1, 1,25 VA, 3-phase measurement	00/100	1	E ³ WB00/100 3X100/1A 1,25VA KL.1	77283-6313
150/1, class 0.5, 2 VA, 3-phase measurement	00/100	1	E ³ WB00/100 3X150/1A 2VA KL.0,5	77283-6522
150/1, class 1, 2,5 VA, 3-phase measurement	00/100	1	E ³ WB00/100 3X150/1A 2,5VA KL.1	77283-6533
150/5, class 1, 1,5 VA, 1-phase measurement	00/100	1	Wandlerblock 00/100 150/5 1ph. 1,5VA KL1	77284-1533
100/1, class 1, 1,25 VA, 1-phase measurement	00/100	1	E ³ WB00/100 100/1A 1,25VA KL.1	77284-6313
150/1, class 1, 1,25 VA, 1-phase measurement	00/100	1	E ³ WB00/100 150/1A 2,5VA KL.1	77284-6533



77150-1836

E³ low-voltage current-transformer for E³ NH Fuse-Switches, vertical design, size 1 – 3

Features:

Single current transformer class 1; 0.5s, box terminal 6 mm²

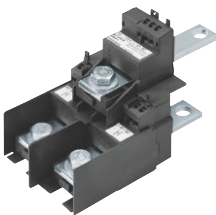
Designation	Size	PU	Product designation	Order no.
150/5 A, 2,5 VA, Kl. 1	1-3	1	E ³ -W1-3 150/5A 2,5VA KL.1	77150-1533
250/5 A, 5 VA, Kl. 1	1-3	1	E ³ -W1-3 250/5A 5VA KL.1	77150-1743
300/5 A, 2,5 VA, Kl. 0,5s	1-3	1	E ³ -W1-3 300/5A 2,5VA KL.0,5S	77150-1836
400/5 A, 2,5 VA, Kl. 0,5s 1-3	1-3	1	E ³ -W1-3 400/5A 2,5VA KL.0,5S	77150-1936
400/5 A, 5 VA, Kl. 1	1-3	1	E ³ -W1-3 400/5A 5VA KL.1	77150-1943
600/5 A, 2,5 VA, Kl. 0,2s 1-3	1-3	1	E ³ -W1-3 600/5A 2,5VA KL.0,2S	77150-2135
600/5 A, 5 VA, Kl. 1	1-3	1	E ³ -W1-3 600/5A 5VA KL.1	77150-2143
600/5 A, 5 VA, Kl. 0,5s	1-3	1	E ³ -W1-3 600/5A 5VA KL.0,5S	77150-2146
800/5 A, 5 VA, Kl. 1	1-3	1	E ³ -W1-3 800/5A 5VA KL.1	77150-2343
150/1 A, 2,5 VA, Kl. 1	1-3	1	E ³ -W1-3 150/1A 2,5VA KL.1	77150-6533
250/1 A, 2,5 VA, Kl. 0,5	1-3	1	E ³ -W1-3 250/1A 2,5VA KL.0,5	77150-6732
250/1, 5 VA, Kl. 1	1-3	1	E ³ -W1-3 250/1A 5VA KL.1	77150-6743
400/1, 5 VA, Kl. 0,5	1-3	1	E ³ -W1-3 400/1A 5VA KL.0,5	77150-6942
400/1 A, 5 VA, Kl. 1	1-3	1	E ³ -W1-3 400/1A 5VA KL.1	77150-6943
600/1 A, 5 VA, Kl. 0,5	1-3	1	E ³ -W1-3 600/1A 5VA KL.0,5	77150-7142
600/1 A, 5 VA, Kl. 1	1-3	1	E ³ -W1-3 600/1A 5VA KL.1	77150-7143



77550-1836

E³ low-voltage current-transformer for E³ NH Fuse-Switches, vertical design, size 1 – 3, PTB-compliant

Designation	Size	PU	Product designation	Order no.
250/5A 2,5VA Kl.0,5	1-3	1	E ³ W1-3 250/5A 2,5VA Kl.0,5	77550-1732
300/5A 2,5VA KL.0,5s	1-3	1	E ³ W1-3 300/5A 2,5VA KL.0,5s	77550-1836
400/5A 5VA KL.0,5S	1-3	1	E ³ W1-3 400/5A 5VA KL.0,5S	77550-1946
600/5A 5VA KL.0,5S	1-3	1	E ³ W1-3 600/5A 5VA KL.0,5S	77550-2146
800/5A 5VA KL.0,5S	1-3	1	E ³ W1-3 800/5A 5VA KL.0,5S	77550-2346



77287-1846

E³ low-voltage current-transformer for E³ NH Fuse-Switches, vertical design, size 1 – 3, for connection in cable branch-off line

Features:

- For multiple-use terminal (screw terminal M12)
- Connection for voltage tapping

Designation	Size	PU	Product designation	Order no.
200/5 2,5 KL 0,5S	1-3	1	E ³ WB1-3 200/5 2,5 KL 0,5S	77287-1636
300/5 5,0 KL 0,5S	1-3	1	E ³ WB1-3 300/5 5,0 KL 0,5S	77287-1846
400/5 5,0 KL 0,5S	1-3	1	E ³ WB1-3 400/5 5,0 KL 0,5S	77287-1946
600/5 5,0 KL 0,5S	1-3	1	E ³ WB1-3 600/5 5,0 KL 0,5S	77287-2146

Measurement and Communication

Current transformers for NH Fuse-Switches

► Technical data, page 332



77587-1946

E³ current transformer block for E³ NH Fuse-Switches, vertical design, size 1 – 3, for connection at cable outlet, PBT-compliant variant for billing purposes

Features:

- For multiple-use terminal (screw terminal M12)
- Connection for voltage tapping

Designation	Size	PU	Product designation	Order no.
200/5 2,5 KL 0,5S	1-3	1	E ³ WB1-3 200/5 2,5 KL 0,5S	77587-1636
300/5 5,0 KL 0,5S	1-3	1	E ³ WB1-3 300/5 5,0 KL 0,5S	77587-1846
400/5 5,0 KL 0,5S	1-3	1	E ³ WB1-3 400/5 5,0 KL 0,5S	77587-1946
600/5 5,0 KL 0,5S	1-3	1	E ³ WB1-3 600/5 5,0 KL 0,5S	77587-2146

Accessories for current transformers for NH Fuse-Switches

Terminal cover for low-voltage current transformer block for size 1 – 3

Designation	PU	Product designation	Order no.
Terminal cover for low-voltage current transformer block	1	KLEMMENABDECKUNG F. WANDLER-BLOCK 3PHASIG	36892-0010



36431-0010

E³-wiring kit for voltage cut-out for size 1 – 3

Features:

- Ready for connection to E³ NH fuse-switch, vertical design
- Connects to input or output
- Includes Cable holder and terminal bolts

Designation	PU	Product designation	Order no.
Wiring kit for voltage cut-out	1	Verdrahtungskit f. Spannungsabnahme	36431-0010



36430-0010

E³-wiring kit for current transformers for size 1 – 3

Features:

- Secondary lines 2.5 mm², black, no. 1-6
- Fits plug-in connections, isolation terminals or metering devices
- For top or bottom connection
- Impulse-withstand voltage 3 kV
- Includes cable holder

Designation	PU	Product designation	Order no.
1-phase wiring kit for current transformer, secondary lines 2.5 mm ² , black no. 1-6, impulse-withstand voltage 3 kV	1	Verdrahtungskit f. 1 Stromwandler	36429-0010
3-phase wiring kit for current transformer, secondary lines 2.5 mm ² , black no. 1-6, impulse-withstand voltage 3 kV	1	E ³ Verdrahtungskit f. 3 Stromwandler	36430-0010



36382-0010

E³-cable holder, click-on, for size 1 – 3

Features:

- Clip-on holder for neat cable routing
- For voltage tapping or for secondary lines

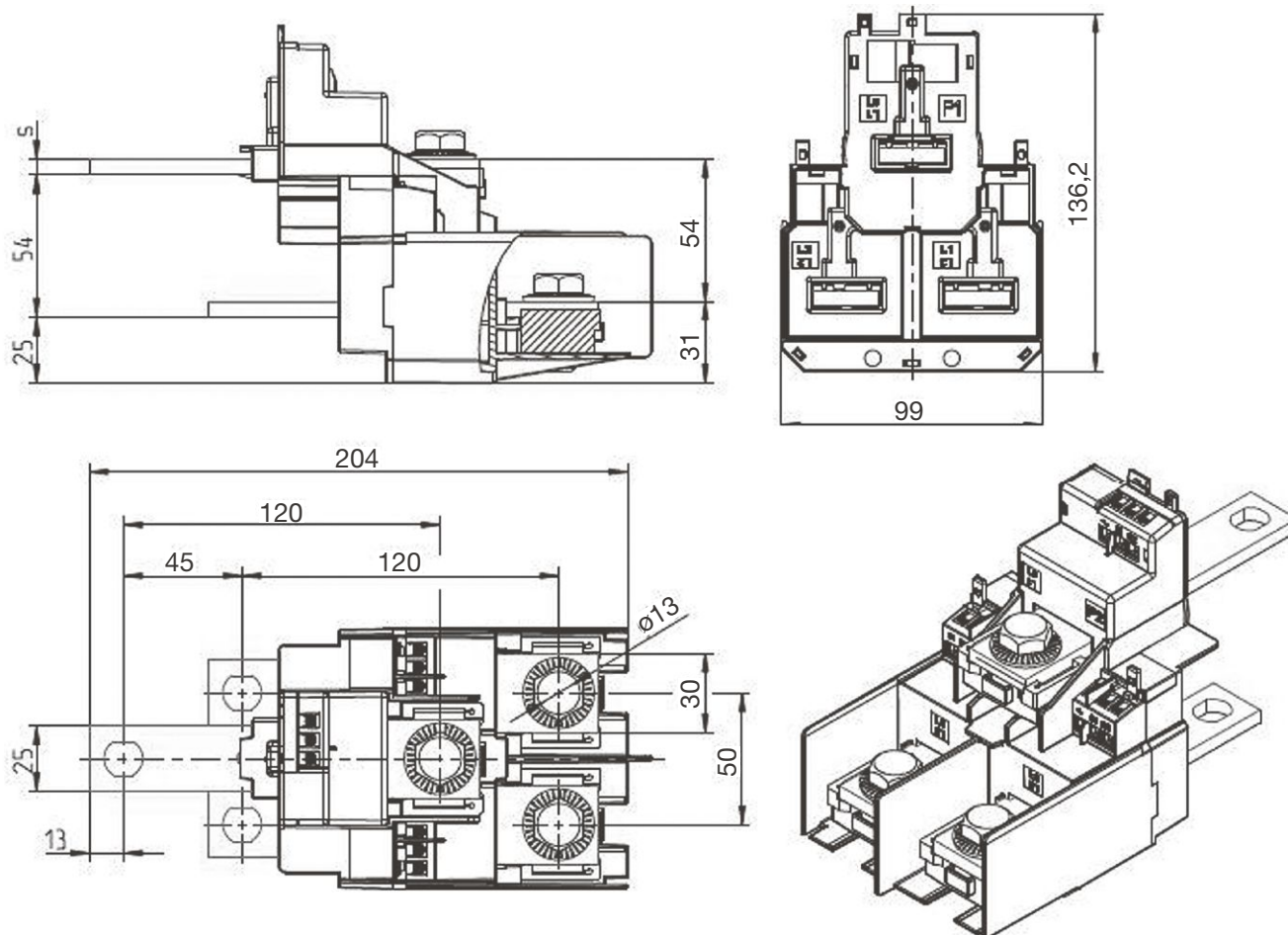
Designation	PU	Product designation	Order no.
Cable holder, click-on, backside mounting	1	Kabelhalter E ³ Gr.1-3	36382-0010

EFEN³-current transformer block, size 1 – 3 for terminal space, standard or PTB-compliant variant

Technical data

Order no. standard	77287-1636	77287-1736	77287-1846	77287-1946	77287-2146
Order no. for billing purposes	77587-1636	77587-1736	77587-1846	77587-1946	77587-2146
Primary rated current	200 A	250 A	300 A	400 A	600 A
Secondary rated current	2,5 A	2,5 A	5 A	5 A	5 A
Rated power	5 VA	5 VA	5 VA	5 VA	5 VA
Class	KL.0,5 s	KL.0,5 s	KL.0,5 s	KL.0,5 s	KL.0,5 s
Frequency	50-60 Hz	50-60 Hz	50-60 Hz	50-60 Hz	50-60 Hz
Insulation level	0,72/3 kV	0,7/3 kV	0,7/3 kV	0,72/3 kV	0,7/3 kV
Overcurrent limiting factor	FS5	FS5	FS5	FS5	FS5
Insulating material class	E	E	E	E	F
Thermal rated short-term current	60* I _n max. 50 kA				
Thermal rated uninterrupted current	1,2* I _n	1,2* I _n	1,2* I _n	1,2* I _n	1,2* I _n
Extended current range	120 %	120 %	120 %	120 %	120 %
Ambient temperature	-5° ... +40°C	-5° ... +40°C	-5° ... +40°C	-5° ... +40°C	-5° ... +40°C
Standards	VDE0414T 44-1, IEC60044-1				
Torque f. secondary terminals	1.5 to 2 Nm				

Current transformer block for NH Fuse-Switches

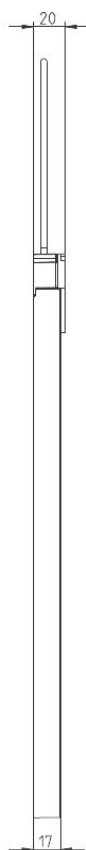
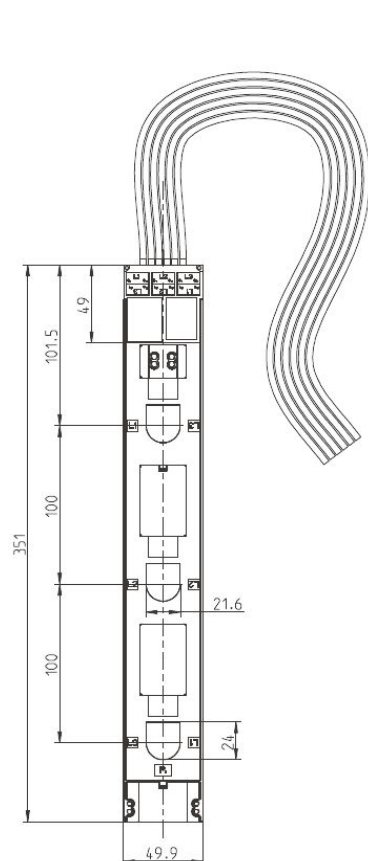


E³-Current transformer block size 00/100 1-phase or 3-phase metering (1-phase at L1)

Technical data

Article designation	Ratio	VA output	Class	Order no.
E ³ WB00/100 3X100/1 1,25 VA KL.1	3 x 100/1	1,25	1	77283-6313
E ³ WB00/100 3X150/1 2,5 VA KL.1	3 x 150/1	2,5	1	77283-6533
E ³ WB00/100 3X150/1 2,0 VA KL.0,5	3 x 150/1	2,0	0,5	77283-6522
E ³ WB00/100 1X100/1 1,25 VA KL.1	1 x 100/1	1,25	1	77284-6313
E ³ WB00/100 1X150/1 1,25 VA KL. 1	1 x 150/1	1,25	1	77284-6533
E ³ WB00/100 3X150/5 1,5 VA KL.1	3 x 150/5	1,5	1	77283-1523
E ³ WB00/100 1X150/5 1,5VA KL.1	1 x 150/5	1,5	1	77284-1523

Description	Unit	Value
Electrical parameters		
Technical data acc. to VDE 0414 T44-1/ IEC/EN 60044-1		
Primary rated current I1N	A	See transformer
S IN2	A	See transformer
Rated frequency	Hz	50
Rated isolation level	kV	0,72 / 3,00
Thermal rated uninterrupted current	A	1,2 x I _n
Thermal rated short-time current I _{th}		60 x I _n ; max. 50 kA
Permissible ambient temperature	°C	- 40 to + 40 °C
Extended current range		120%
Insulation class acc. to IEC 60085 E	3 x 100/1	E ³ Zub.
Conductor connection	3 x 100/1	E ³ Zub.
Connection of secondary terminal	mm ²	2,5 - 4
Torque of secondary terminal	Nm	0,8



Connection of assembled end pieces for ratio to 5 Amps Cable length 2 m.

Converter terminals top / cable terminal bottom:

L1 / S1 = black
S2 = brown
L2 / S1 = gray
S2 = white
L3 / S1 = blue
S2 = red

Converter terminals bottom / cable terminal top:

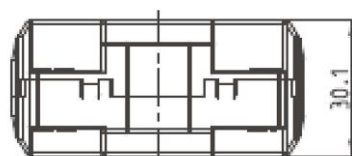
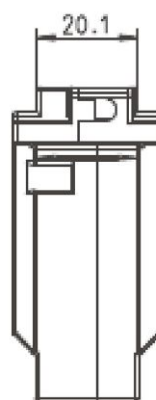
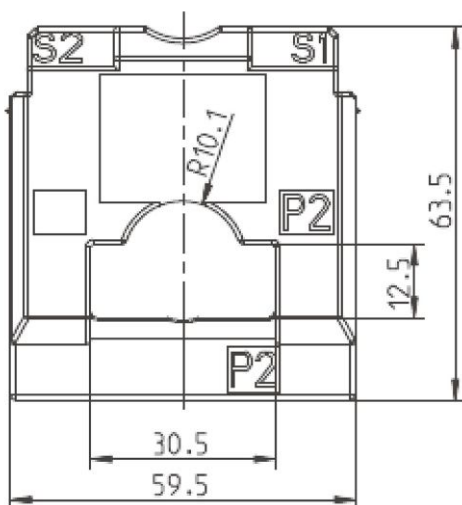
L1 / S1 = blue
S2 = red
L2 / S1 = gray
S2 = white
L3 / S1 = black
S2 = brown

E³-Drop-in transformers of size 1 – 3, PTB-compliant variant for billing purposes for E³ NH Fuse-Switches, vertical design, size 1 – 3

Technical data

Article designation	Ratio	VA output	Class	Order no.
E_E ³ W1-3 250/5A 2,5VA Kl.0,5	250/5	2,5	0,5	77550-1732
E_E ³ W1-3 300/5A 2,5VA Kl.0,5s	300/5	2,5	0,5s	77550-1836
E_E ³ W1-3 400/5A 5VA Kl.0,5s	400/5	5	0,5s	77550-1946
E_E ³ W1-3 600/5A 5VA Kl.0,5s	600/5	5	0,5s	77550-2146
E_E ³ W1-3 800/5A 5VA Kl.0,5s	800/5	5	0,5s	77550-2346
Cable holder E ³ size 1 – 3				36382-0010

Description	Unit	Value
Electrical parameters		
Technical data acc. to VDE 0414 T44-1/ IEC/EN 60044-1		
Primary rated current I _{1N}	A	See transformer
Secondary rated current I _{N2}	A	See transformer
Rated frequency	Hz	50
Rated isolation level	kV	0,72 / 3,00
Thermal rated uninterrupted current	A	1,2 x I _n
Thermal rated short-time current I _{th}		60 x I _n ; max. 50 kA
Permissible ambient temperature	°C	- 5 to + 40 °C
Extended current range		120%
Insulating material class acc. to IEC 60085		E
Connection of secondary terminal	mm ²	2,5 - 4
Torque of secondary terminal	Nm	0,8



EB³-Current transformers

Technical data

Current transformer block and current transformer class 0.5 s

Technical data acc. to VDE 0414 T 44-1 / IEC/EN 60044-1

Primary rated current	I_{1N}	300 A, 600 A, 800 A
Secondary rated current	I_{2N}	5 A
Rated frequency		50-60 Hz
Maximum voltage at equipment	U_m	720 V
Rated power-frequency withstand current (impulse-withstand voltage)		3 kV
Instrument security factor (FS)		FS 5
Thermal rated uninterrupted current		$1,2 \times I_{1N}$
Current rating		120% 800 A = 100%
Thermal rated short-time current		$I_{th} = 60 \times I_{1N}$ max. 50 kA
Rated dynamic current		$I_{dyn} = 2,5 \times I_{th}$ max. 120 kA
Permissible ambient temperature		-25° C to +55° C
Insulating material class acc. to IEC 60085		E
Degree of protection DIN/EN 60529/VDE 0470 T1		IP 20
Enclosure type		Closed enclosure
Enclosure material		Polyamide 6
Connection of secondary terminal		Box clamp 1.5 – 4 mm ²
Torque of secondary terminal		0,8 Nm
Approved for official calibration		System number

Current transformer, class 1

Technical data acc. to VDE 0414 T 44-1 / IEC/EN 60044-1

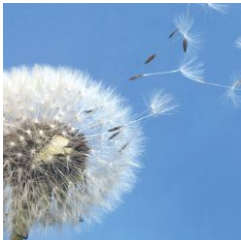
Primary rated current	I_{1N}	150-1000 A
Secondary rated current	I_{2N}	1 and 5 A
Rated frequency		50-60 Hz
Maximum voltage at equipment	U_m	720 V
Rated power-frequency withstand current (impulse-withstand voltage)		3 kV
Instrument security factor (FS)		FS 5
Thermal rated uninterrupted current		$1,2 \times I_{1N}$
Current rating		120% 1000 A = 100%
Thermal rated short-time current		$I_{th} = 60 \times I_{1N}$ max. 50 kA
Rated dynamic current		$I_{dyn} = 2,5 \times I_{th}$ max. 120 kA
Permissible ambient temperature		-25° C to +55° C
Insulating material class acc. to IEC 60085		E
Degree of protection DIN/EN 60529/VDE 0470 T1		IP 20
Enclosure type		Closed enclosure
Enclosure material		Polyamide 6
Connection of secondary terminal		Box clamp 1.5 – 4 mm ² , strand with end sleeve
Torque of secondary terminal		0,8 Nm

Recommended wiring for current transformer of class 1

Halogen-free multiple-strand wiring 2.5 mm² Temperature resistance 105 °C Test voltage 2500 V



IN THE LINE OF POWER



Efficient Distribution

When it comes to reliable power supply, replacing nuclear power by renewable energies is one of the greatest challenges. To this end, EFEN offers consistent solutions for safety interfaces from power generation to power storage and to the selective control of consumers.



Reliable Protection

Reliable protection of people and assets is a key requirement of any power distribution system. The comprehensive solutions from EFEN ensure maximum safety in all areas of power supply, infrastructure and industry.



Smart Control

Higher energy efficiency reduces peak loads and lowers energy costs. Early-warning systems reduce minimal unplanned plant downtimes to the minimum. Smart solutions from EFEN ensure reliable communication and maximum availability of power distribution systems.

EFEN GmbH
Schlangenbader Str. 40
65344 Eltville, Germany
Tel. + 49 (0) 6129-46 -0
Fax + 49 (0) 6129-46-222
e-Mail: efen@efen.com
www.efen.com

Slovakia
EFEN Slovakia s.r.o
Odborárska 3
831 02 Bratislava
Slovensko/Slovakia
Tel. 00421 55 633 9898
Fax 00421 55 633 9898
e-Mail: efen@efen.sk

Logistic - Center
EFEN GmbH
Gewerbepark Nord 6
04938 Uebigau
Germany
Tel. +49 35365 893 0
Fax +49 35365 893 35
e-Mail: efen@efen.com

Hungary
EFEN Division
Guba Sándor u. 87
7400 Kaposvár
Hungary
Tel. +36-82-417559
Fax +36-82-417529
e-Mail: info@efen-hungaria.hu

Austria
EFEN GmbH
Prinzgasse 1/29/9
1220 Wien
Austria
Tel.: +43 (0) 676-9768-100
Fax: +43 12533033 3366
e-Mail: suchacek@efen.com

China
EFEN Shanghai Office
800 Shangchen Rd (1090 New Century Ave)
Room 517 CIMIC Building Shanghai 200120
China
Tel. +86 21 6575-8878
Fax +86 21 6575-8876
e-Mail: efen@efen.com.cn

Poland
EFEN sp. z o.o.
Aleja Młodych 26-28
41-106 Siemianowice Śląskie
Poland
Tel. +48 32 220 00 63
Fax +48 32 220 00 64
e-Mail: efen@efen.com.pl
export@efen.com.pl
www.efen.com.pl

