

## Switches in Plastic Enclosures



V840/B



V840/F



V845

### 3-pole switches, IP66/67

Thermal Current Ith (A)	Switch code	Ratings AC-23A Breaking capacity (kW/A)	Max wire gage mm <sup>2</sup>	Handle
20	KG10 T103/33 KS51V	5,5/120	2,5	V840/B
25	KG20 T103/33 KL51V	7,5/180	6	V840/B
32	KG32 T103/33 KL51V	11/220	6	V840/B
40	KG41 T103/33 KL11V	15/300	16	V840/B
63	KG64 T103/33 KL11V	22/350	16	V840/B
80	KG80 T103/33 KL71V	30/560	50	V840/B
100	KG100 T103/33 KL71V	37/650	50	V840/B

### 3-pole switches, IP65

125	KG125 T103/38 STM	45/750	95	V840/F
160	KG160 T103/38 STM	55/850	95	V840/F
250	KG250 T103/39 STM	90/1380	185	V845
315	KG315 T103/39 STM	110/1650	185	V845

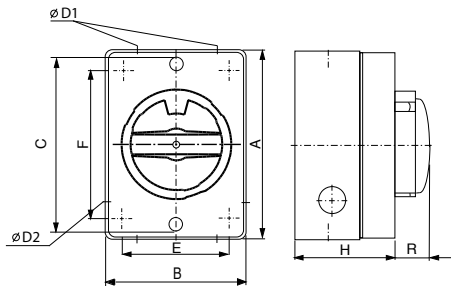
### 3-pole +2-cam or rack-operated auxiliary contacts (1NO, 1NC), IP66/67

Thermal Current Ith (A)	Switch code	Ratings AC-23A Breaking capacity (kW/A)	Max wire gage mm <sup>2</sup>	Handle
20	KG10 T103/40 KS51V	5,5/120	2,5	V840/B
25	KG20 T103/40 KL51V	7,5/180	6	V840/B
32	KG32 T103/40 KL51V	11/220	6	V840/B
40	KG41 T103/40 KL11V	15/300	16	V840/B
63	KG64 T103/40 KL11V	22/350	16	V840/B
80	KG80 T103/40 KL71V	30/560	50	V840/B
100	KG100 T103/40 KL71V	37/650	50	V840/B

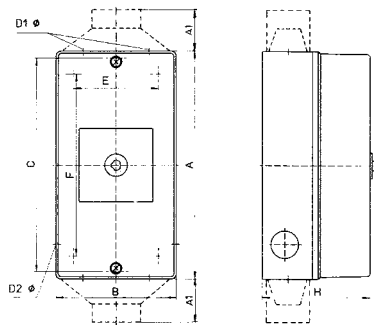
### 3-pole +2-cam or rack-operated auxiliary contacts (1NO, 1NC), IP65

125	KG125 T103/45 STM	45/750	95	V840/F
160	KG160 T103/45 STM	55/850	95	V840/F
250	KG250 T103/46 STM	90/1380	185	V845
315	KG315 T103/46 STM	110/1650	185	V845

#### For KG10A - KG100



#### For KG125 - KG315



	A	A1	B	C	D1 ISO <sup>1</sup> /mm	D2 ISO <sup>1</sup> /mm	E	F	H	R
KG10... KS51V	120		85	110	2x20	20			90	17
KG20... KL51V	160		85	150	2x20	20			80	17
KG32... KL51V	160		85	150	2x20	20			80	17
KG41... KL11V	190		100	178	2x25	25			91	17
KG64... KL11V	190		100	178	2x25	25			91	17
KG80... KL71V	250		145		2x40	25	124	229	107	17
KG100... KL71V	250		145		2x40	25	124	229	107	17
KG125... STM	400		280		2x63 1x20		254	354	180	
KG160... STM	400		280		2x63 1x20		254	354	180	
KG250... STM	560	110	280		1x28-60 2x20		254	534	180	
KG315... STM	560	110	280		1x28-60 2x20		254	534	180	

<sup>1</sup> Enclosures with conduit entries for PG thread are available.