

PSEN op Cable M12 5p

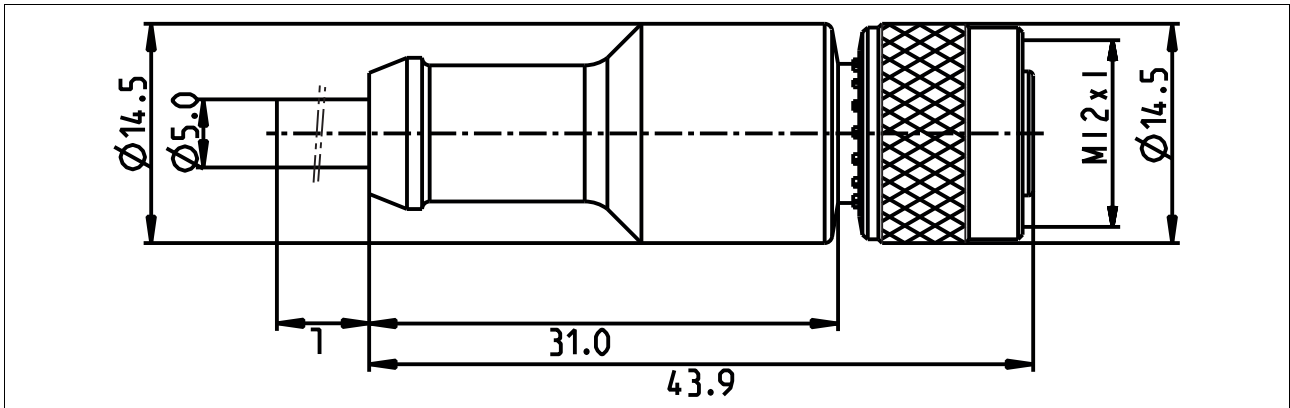
Connector pin assignment

Colour coding	
1	brown
2	white
3	blue
4	black
5	grey

Plan view plug-in connector X1

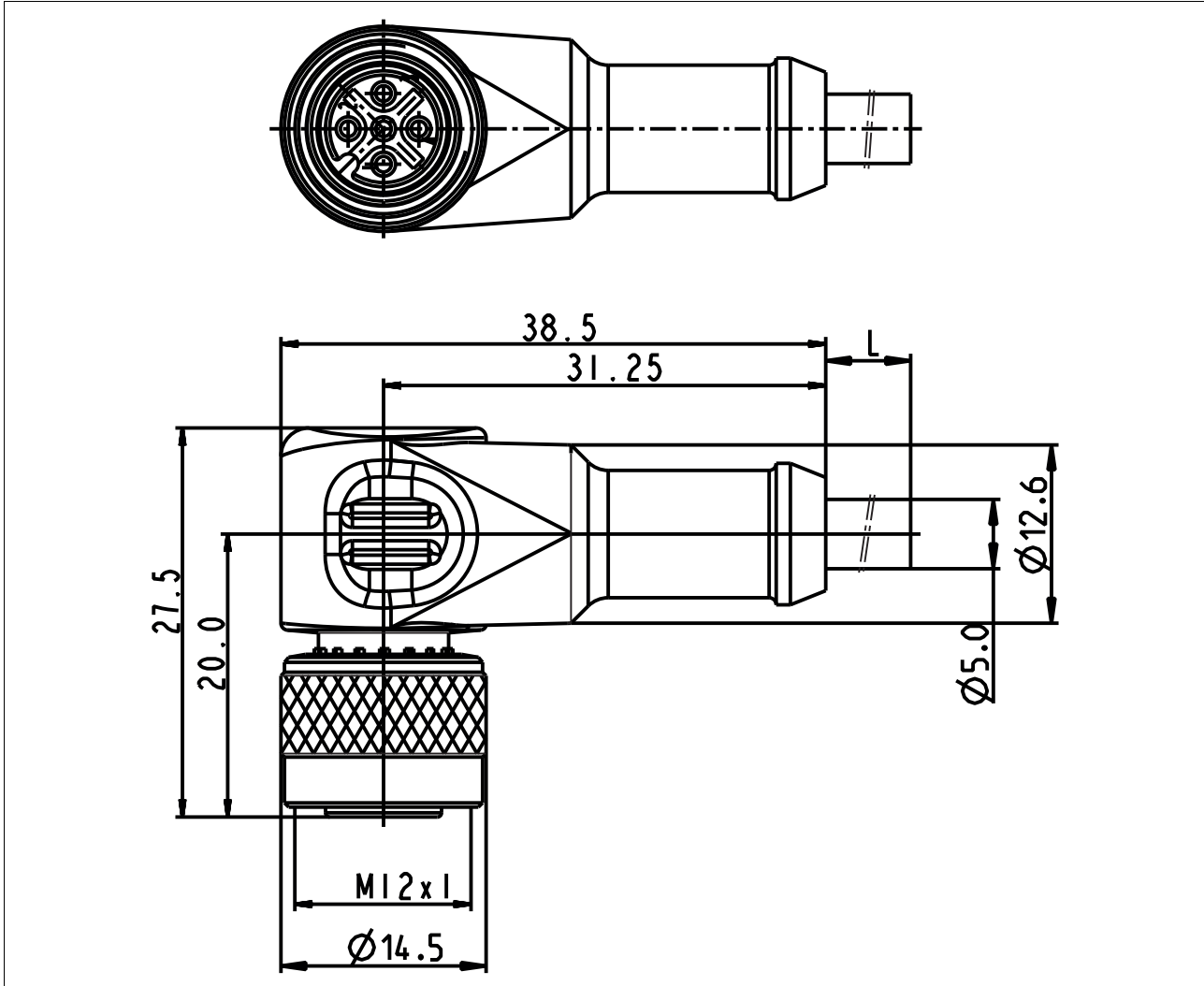
Dimensions

► M12 female connector, straight:



PSEN op Cable M12 5p

► **M12 female connector, angled:**



Technical details

Electrical data

Rated voltage UB	60 V
Conductor resistance	79 Ohm/km
Insulation resistance	100 MOhm/km
Test voltage	3,000 V
Specific cable capacitance	64.6pF/m
Specific volume resistance	$\geq 7E+15$ Ohm*cm
Rated current	4.0 A

Environmental data

Ambient temperature	-25 - 80 °C
Pollution degree	3

Mechanical data

Plug-in connector X1	5-pin M12 female connector
in accordance with the standard	EN 61076-2-101
Design of plug-in connector X1	Straight No. 630297, 630298, 630310, 630311, 630312, 630364 Angled No. 630347, 630348, 630349, 630350, 630365
Protection type of X1 when inserted	IP68

PSEN op Cable M12 5p

Mechanical data	
Housing	IP68
Housing material X1	PUR
Material of contact surface	Au
Material of socket	CuSn
Conductor material	Cu
Insulating cover for conductor	PP (9Y)
Mating cycles X1	100
Cable type	LiF9Y11Y
Cable runs	10.00 m No. 630312, 630349 20.00 m No. 630298 3.00 m No. 630310, 630347 30.00 m No. 630297, 630350 5.00 m No. 630311, 630348 50.00 m No. 630364, 630365
Colour of external cable insulation	Yellow, similar to RAL1003
Min. bending radius (for laying)	5 x Ø
Min. bending radius (for constant movement)	10 x Ø
Cable insulation	PUR, TPU / TPE-U
Suitable for drag chains	no
Cable diameter	5.00 mm
Cable cross section	0.25 mm²
Cable cross section AWG	24
Wire colour	Brown, white, blue, black, grey
Stranding	5 cores around filler
Shielding	no
Wire layer separation	no
No. of wires	5
Cable approval	UL AWM-Style 20233, UL/CSA
Approval for plug connector X1	UL94 V-0
Weight	1,033 g No. 630350 1,036 g No. 630297 1,610 g No. 630365 1,640 g No. 630364 115 g No. 630347 122 g No. 630310 180 g No. 630311 183 g No. 630348 360 g No. 630349 362 g No. 630312 668 g No. 630298

No. stands for order number.

PSEN op Cable M12 5p

Order reference

Product type	Features	Connector X1	Connector X2	Order no.
PSEN op cable axial M12 5-pole 30m	30 m	M12 female connector, straight		630 297
PSEN cable M12-5sf 20m	20 m	M12 female connector, straight		630 298
PSEN op cable axial M12 5-pole 3m	3 m	M12 female connector, straight		630 310
PSEN op cable axial M12 5-pole 5m	5 m	M12 female connector, straight		630 311
PSEN op cable axial M12 5-pole 10m	10 m	M12 female connector, straight		630 312
PSEN op cable angle M12 5-pole 3m	3 m	M12 female connector, angled		630 347
PSEN op cable angle M12 5-pole 5m	5 m	M12 female connector, angled		630 348
PSEN op cable angle M12 5-pole 10m	10 m	M12 female connector, angled		630 349
PSEN op cable angle M12 5-pole 30m	30 m	M12 female connector, angled		630 350
PSEN op cable axial M12 5-pole 50m	50 m	M12 female connector, straight		630 364
PSEN op cable angle M12 5-pole 50m	50 m	M12 female connector, angled		630 365