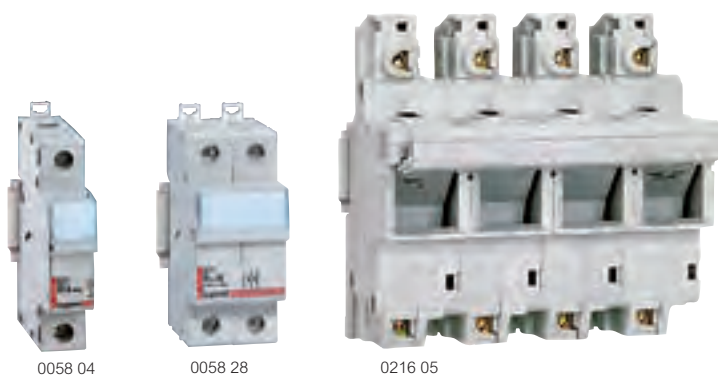


modular fuse carriers

for industrial cylindrical cartridge fuses



Dimensions **opposite**
Accessories **p. 75**

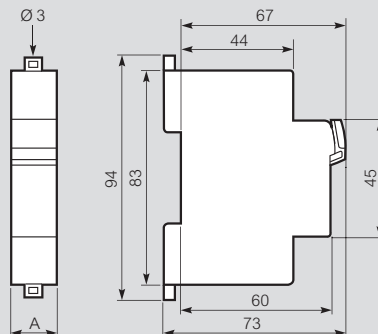
For HRC cylindrical fuses (see p. 76)

Pack	Cat. Nos.	Modular carriers for HRC type aM and gG fuses		
		Conform to IEC 60269-2/2-1, isolation to IEC 60947-3 Fix to DIN rail EN 60715 Equipped with label holder Padlockable using locking accessory Cat. No. 0057 99, p. 75 Shielded terminals max. capacity 2 x 10 mm ² Double insulated Class II		
		Fuse size (mm)	Voltage ~ (Volts)	No. of 17.5 mm modules
		Single pole		
10	0058 04	Disconnectable neutral	500	1
10	0058 06	8.5 x 31.5	400	1
10	0058 08	10 x 38	500	1
		Single pole + Neutral		
10	0058 16	8.5 x 31.5	400	1
10	0058 18	10 x 38	500	1
		Double pole		
5	0058 28	10 x 38	500	2
		Triple pole		
3	0058 38	10 x 38	500	3
		Triple pole + Neutral		
2	0058 48	10 x 38	500	4

		SP isolating fuse carriers with protected terminals		
		For isolation and protection of electrical circuits Conform to IEC 60269-2 and BS EN 60269-2 Bureau Veritas approved Height under front plate : 44 mm Fix to DIN rail EN 60715 or with screws		
		SP 51 for HRC type aM and gG fuses 14 x 51		
		Connection	No. of 17.5 mm modules	
5	0215 01	Single pole	1.5	
1	0215 03	Double pole	3	
1	0215 04	Triple pole	4.5	
1	0215 05	Triple pole + disconnectable neutral	6	
		SP 58 for HRC type aM and gG fuses 22 x 58		
		Connection	No. of 17.5 mm modules	
3	0216 00	Disconnectable neutral	2	
3	0216 01	Single pole	2	
1	0216 04	Triple pole	6	
1	0216 05	Triple pole + disconnectable neutral	8	

Modular fuse carriers

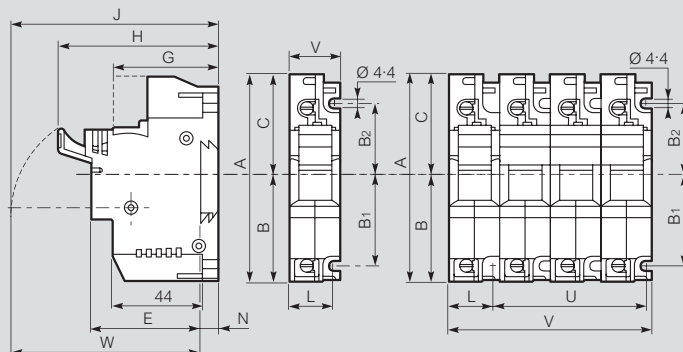
Conform to IEC 60269-2/2-1, isolation to IEC 60947-3
Icc : 20 kA with 8.5 x 31.5 fuse
100 kA with 10 x 38 fuse
Operating temperature : -5 °C to +40 °C
Mechanical resistance : IPXX 3



In mm	A
Single pole	17.7
Single pole + N	17.7
Double pole	35.5
Triple pole	53.4
Triple pole + N	71.2

SP 51 and SP 58 fuse carriers

Conform to IEC 60269-2 and BS EN 60269-2
Bureau Veritas approved



In mm	A	B	B ₁	B ₂	C	E	G	H 1 P	H multi.	J 1 P
SP 51	106	54.5	45	35	51.5	55	53	81	84	96
SP 58	140	74	65	45	66	59	53	87	90	111

In mm	J multi.	L	N	U 2 P	U 3 P	U 4 P	V 1 P	V 2 P	V 3 P	V 4 P	W 1 P	W multi.
SP 51	99	20.7	9	26.5	53	79.5	26.5	53	79.5	106	87	90
SP 58	114	27	9	36	72	108	36	72	108	144	101	109

Choice of equipment

Type	Rated current	Maximum cartridge rating			
		400 V ~		500 V ~	
		gG	aM	gG	aM
SP 51	50 A	50	50	50	40
SP 58	100 A (125 A in 400 V)	125	125	100	100

Protection index : IP 2X - IP 2X C - under front plate

Equipment derating

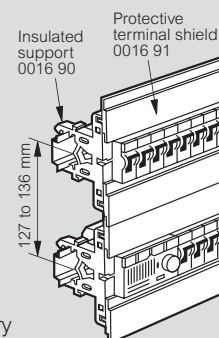
Justified under more severe conditions of use :

- Ambient temperature over 35 °C : derate fuse by one rating per 10 °C (UTE C 20-051)
- Side-by-side equipment in simultaneous function

2 or 3 devices	0.9 x I _n
4 or 5 devices	0.8 x I _n
6, 7, 8 or 9 devices	0.7 x I _n
≥ 10 devices	0.6 x I _n

This coefficient is to be applied on the nominal rating of the base (IEC 60439-1)
Continuous operation : it may be necessary to upgrade the bases by one size

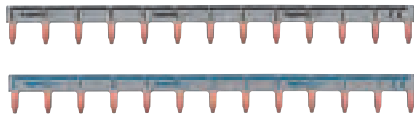
Modular protective terminal shield mounting (see p. 75)



modular fuse carriers and device accessories



4049 05



4049 26



0016 91



0016 90

Pack	Cat. Nos.	Modular fuse carrier accessory
3	0057 99	Padlock support suitable for Ø 5 mm padlocks

Pack	Cat. Nos.	Modular device accessories	
10	4063 07	Spacing elements For heat reduction - 0-5 module	
2	4063 03	Locking device Attachment for Ø 5 mm padlocks for DX ³	
3	4063 13	Padlock Ø 5 mm	
20	4049 05	Entry terminals Accepts conductors 4-25 mm ² max for single pole busbars only IP 2X	
20	4049 06	Entry terminals Accepts conductors 6-35 mm ² max	
20	4049 26	Supply busbars For 13 single pole units ¹ Reversible blue/black	
10	4049 37	Supply busbars For 57 single pole units ¹ Reversible blue/black	
5	4049 38	Supply busbars For 6 double pole units ^{2,3}	
10	4049 39	Supply busbars For 28 double pole units ^{2,3}	
5	4049 42	Supply busbars For 4 triple pole units ^{2,3}	
10	4049 43	Supply busbars For 19 triple pole units ^{2,3}	
3	4049 44	Supply busbars For 3 four pole units ^{2,3}	
20	4049 88	Insulation shroud For non-utilised busbar prongs	
10	0049 96	Self-adhesive label holder Width : 16 mm Width available for marking : 12 mm Length 430 mm (24 modules)	
10	0016 65	Grey blanking plate RAL 7035 18 module, blanking strip	

1 : 16 mm² section rated at 80 A with central feed
2 : 10 mm² section rated at 63 A with central feed
3 : With insulated ends

Pack	Cat. Nos.	Modular device accessories (continued)
5	0016 91	Protective terminal shield Light grey Ensures the protection of wiring and terminals in modular mechanisms fitted in enclosures (Atlantic or Marina) Width 45 mm, Length 1 m Clips on to support 0016 90 (below)
10	0016 90	Insulated support For protective terminal shield Clips on to rail EN 60715

DX³ MCBs p. 56-57



Enclosures p. 14-23



Download the full file at

<http://assets.kempstoncontrols.com/doc/Legrand%20Industrial%20and%20power%20protection%20catalogue.pdf>



KEMPSTON
CONTROLS