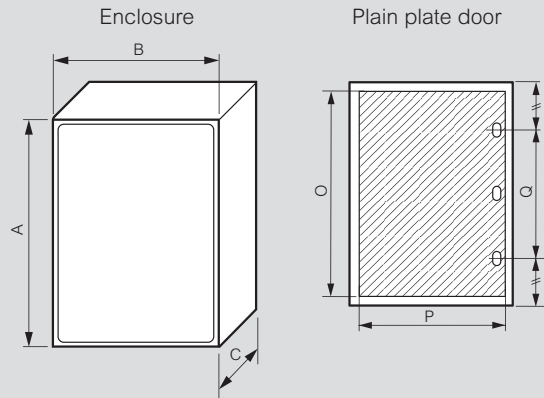


# Atlantic stainless steel wall mounting enclosures

IP 66 - IK 10 - Nema 4x (continued)

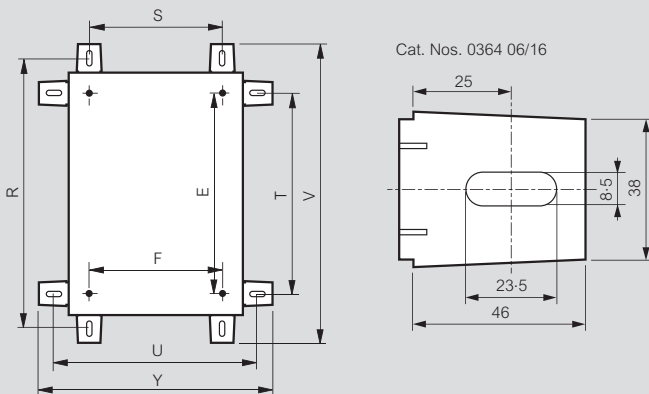
## ■ Dimensions



Cat. Nos.	Height	Width	Depth	Usable door surface area		Lock positions
	A (mm)	B (mm)	C (mm)	O (mm)	P (mm)	
0352 00/40	301-6	199-6	161-5	250	150	Centred
0352 01/41	401-6	299-6	201-5	350	250	Centred
0352 02/42	501-6	399-6	201-5	450	350	250
0352 03	601-6	399-6	201-5	550	350	380
0352 05/45	601-6	399-6	251-5	550	350	380
0352 06/46	702-4	500	251-5	650	450	400
0352 11/47	802-4	600	301-5	750	550	400
0352 13/53	1003-6	800-6	301-5	950	750	600

**Note :** Dimension C does not include lock  
Lock thickness = 4 mm

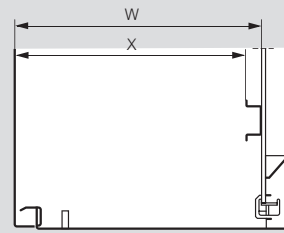
## ■ Fixing positions for wall mounting brackets



Cat. Nos.	Vertical wall brackets		Horizontal wall brackets		Dimensions			
	R (mm)	S (mm)	T (mm)	U (mm)	V (mm)	Y (mm)	E (mm)	F (mm)
0352 00/40	353	150	250	250	395	292	225	169
0352 01/41	453	250	350	350	495	392	325	269
0352 02/42	553	350	450	450	595	492	425	369
0352 03	653	350	550	450	695	492	525	369
0352 05/45	653	350	550	450	695	492	525	369
0352 06/46	753	450	650	550	795	592	625	469
0352 11/47	853	550	750	650	895	692	725	569
0352 13/53	1053	750	950	850	1095	892	925	769

## Position of equipment

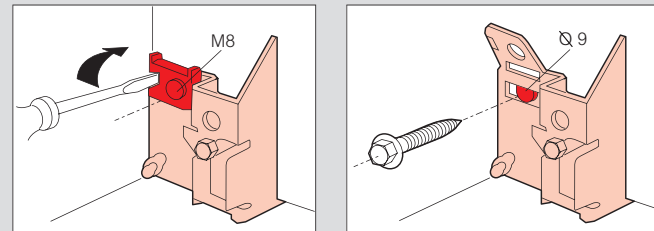
Without runners  
For runners, contact us on +44 (0) 845 605 4333



Enclosure Depth (mm)	Without runners	
	W (mm)	X (mm)
160	140	125
200	180	165
250	230	215
300	280	265

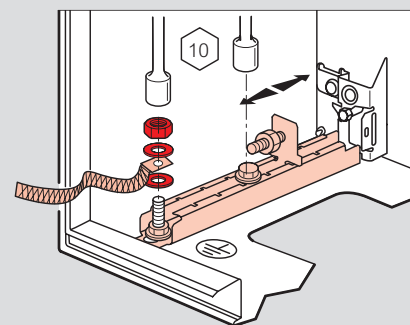
## Active corner

Provides quick and easy fixing  
Transfers equipment weight to wall fixings



## Fixing method for runners and depth adjustment brackets

Contact us on +44 (0) 845 605 4333



Mounting plates p. 23



# Marina wall mounting enclosures

Polyester (GRP) IP 66 - IK 10



0362 56



0362 76



0362 63 + plinth Cat. No. 0362 92  
+ roof Cat. No. 0362 95

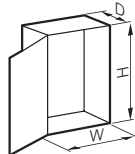


0362 55 +  
wall brackets Cat. No. 0364 09

Technical information and dimensions **p. 19-20**  
Equipment **p. 23-31**

Grey RAL 7035  
IP 66 according to IEC EN 60529  
IK 10 according to IEC EN 62262 (EN 50102)  
Class II insulation for final assembly according to IEC EN 60439-1  
Glass fibre reinforced polyester (GRP) enclosures  
Self extinguishing at 960 °C according to IEC EN 60695-2-11  
Designed for corrosive environments  
Reversible door, 180° opening<sup>1</sup>  
2 x double bar locks<sup>1</sup>  
Captive stainless steel hinge pins<sup>1</sup>  
Mounting plate/equipment can be fixed directly to the rear of the enclosure  
Accepts partial plate from 500 x 400 x 200 mm and/or rails<sup>1</sup>  
Optional depth adjustment kit (Cat. No. 0362 42) available for enclosures 400 mm high and above  
For wall mounting, wall mounting brackets must be ordered separately

Pack	Cat. Nos.	GRP enclosures					
<b>Plain door</b>							
External dimensions (mm)							
		Height	Width	Depth	Weight (kg)		
1	0362 50	300	220	160	1.75		
1	0362 51	400	300	206	3.7		
1	0362 52	500	400	206	5.1		
1	0362 55	610	400	257	6.4		
1	0362 56	720	510	250	11.2		
1	0362 61	820	610	300	15.2		
1	0362 63	1020	810	300	21.8		
1	0362 64	1220	810	300	25.0		
<b>Glazed door with tinted glass window</b>							
External dimensions (mm)							
		Height	Width	Depth	Window (mm)	Weight (kg)	
					Height	Width	
1	0362 71	400	300	206	235	145	4.0
1	0362 72	500	400	206	335	245	5.6
1	0362 75	610	400	257	463	245	7.0
1	0362 76	720	510	250	570	272	12.3
1	0362 81	820	610	300	672	372	16.7



Pack	Cat. Nos.	Fixing accessories	
IP 66 maintained			
<b>Wall mounting brackets</b>			
Set of 4, supplied with screws			
For enclosures			
		Height (mm)	Max. load (kg)
1	0364 08	300	100
1	0364 09	400 to 1 200	150
<b>Rear with threaded rod</b>			
M8 for enclosures height ≥ 400 mm			
Mounting at back of enclosures			
<b>Accessories</b>			
1	0362 42	Depth adjustment kit for enclosures ≥ 200 mm	
4 fixings complete with screws			



Roofs			
IK 10			
For enclosures (mm)			
		Width	Depth
1	0362 93	500	250
1	0362 94	600	300
1	0362 95	800	300

Plinths			
Height 170 mm			
Front and rear trap door			
Possibility to overlap 2 plinths			
For enclosures (mm)			
		Width	Depth
1	0362 91	600	300
1	0362 92	800	300

1 : Except Cat. No. 0362 50

Plain and perforated plates **p. 23**  
Modular chassis **p. 25**  
Internal doors **p. 25**  
Sectioned uprights **p. 26**  
Crosspieces **p. 26**  
Locking accessories **p. 28**

Download the full file at

<http://assets.kempstoncontrols.com/doc/Legrand%20Industrial%20and%20power%20protection%20catalogue.pdf>



**KEMPSTON**  
CONTROLS