

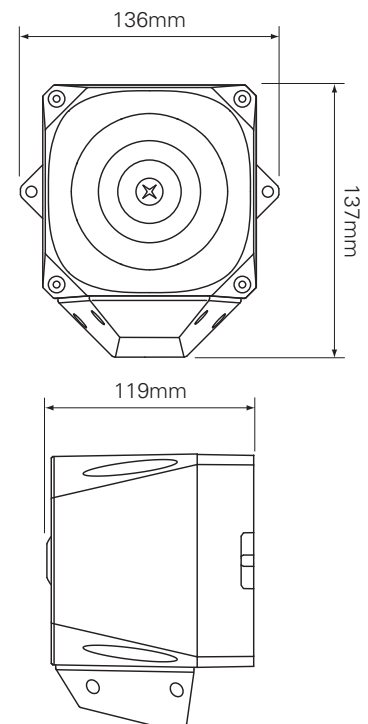
Asserta Mini Sounder Beacon

The most compact sounder in the Asserta Range, the Mini is a rugged unit with high IP rating. Suitable for use in harsh environments. Its low current consumption makes it ideal as a general signalling device in industrial applications. The Mini is also available with a tamper switch (*supplied as separate module*) for secure applications. Any interference with the unit can signal an alarm to a security panel.



Technical Specification

Voltage	9 - 60Vdc 115 - 230Vac
Current (sounder and beacon)	198mA @ 24Vdc (Typical Tone 3) 68 - 80mA @ 230Vac (Typical Tone 3)
Sound Output	105dB
Tones	32
Alarm Stages	2
Flash Power	2j
Flash Rate	1Hz
Monitoring	Reverse Polarity (dc version)
Temperature	- 25°C to + 70°C
Protection	IP66
Construction	ABS, PC Lens
Weight	0.43Kg (dc version) 0.55Kg (ac version)
Colour	Red or grey
Lens colour	Red, amber, blue or clear



Features

- 32 tones (user selectable)
- Wide operating voltages
- Integrated beacon
- 4 lens colours

Benefits

- Ideal for all general signalling applications
- Adaptable to all types of installations
- Easy installation
- Suits many alarm conditions

Reference

AS/N/SB/115-230V/R/RL
AS/N/SV/SB/9-60V/G/AL
AS/N/SB/115-230V/G/AL
AS/N/SB/115-230/R/AL
AS/N/SB/110-230/G/BL
AS/N/SB/115-230V/R/BL

Catalogue No.

7062154FUL-0106
7092270FUL-0147
7092271FUL-0148
7092278FUL-0166
7092284FUL-0191
7092286FUL-0193

Description

Asserta Mini Sounder/Beacon, 115/230Vac, Red, Red Lens
Asserta Mini Sounder/Beacon, 9 to 60Vdc, Grey, Amber Lens
Asserta Mini Sounder/Beacon, 115/230Vac, Grey, Amber Lens
Asserta Mini Sounder/Beacon, 115/230Vac, Red, Amber Lens
Asserta Mini Sounder/Beacon, 115/230Vac, Grey, Blue Lens
Asserta Mini Sounder/Beacon, Mains, Red, Blue Lens