

Residual Current Circuit Breakers B10R (B Type)

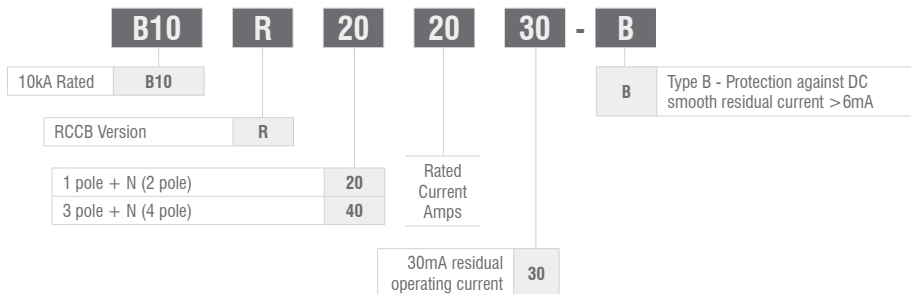


The IMO range of Residual Current Circuit Breakers have been designed for protection of electrical installations against earth fault / leakage current and are manufactured in accordance with IEC 61008-1 and IEC 62423.

Type B RCCBs are able to provide protection in case of alternating residual sinusoidal current up to 1kHz, pulsating direct residual currents and smooth direct residual currents. Additionally, Type B RCCBs provide protection if the smooth DC residual current exceeds 6mA.



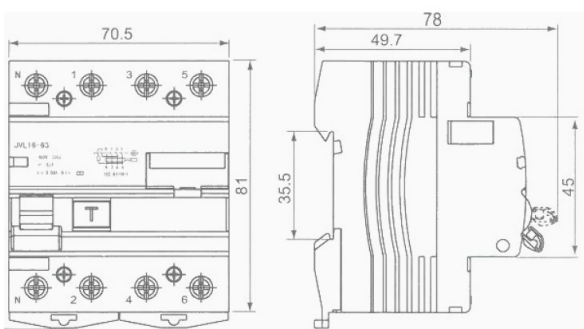
Options & Ordering Codes



Specifications

| | | |
|--|---|-----|
| In accordance with: | IEC 61008-1 and IEC 62423 | |
| Certification: | CE | |
| Pole composition: | 1P + N, 3P + N | |
| Rated current: | 20A, 40A, 63A | |
| Residual current characteristics: | B | |
| Calibration Temperature: | +30°C | |
| Rated frequency: | 50/60Hz | |
| Rated voltage: | 230VAC/400VAC | |
| Rated residual operating current: | 30mA | |
| Residual DC Smooth Current: | 6mA | |
| Residual tripping current range: | 0.5 ~ 1A | |
| Rated conditional short circuit current: | 10kA | |
| Electrical lifetime: | > 4,000 cycles | |
| Fastening torque: | 2.0Nm | |
| Terminal capacity: | 35mm ² solid, 25mm ² stranded conductor | |
| Mounting: | on rail EN 60715 (EN 50022) | |
| Protection degree: | IP20 | |
| Operating temperature: | -25°C - +55°C | |
| Weight (g/pc): | 1P+N | 294 |
| | 3P+N | 363 |

Dimensions (mm)



Wiring Diagram

