

# FAN25 VENTILATING UNITS WITH FILTER

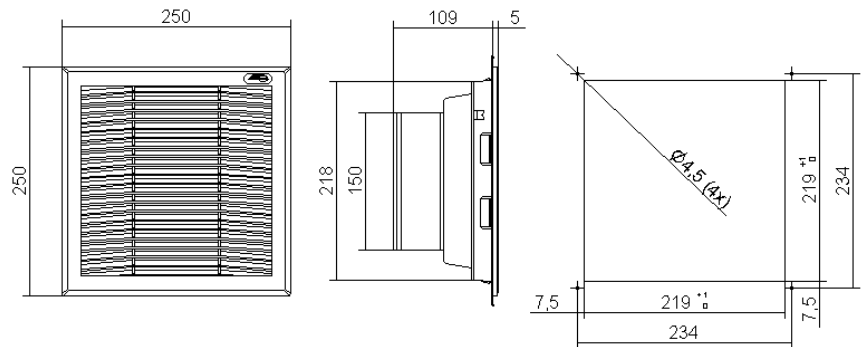
Characteristics	M.U.	FIL25XNOB	FAN25BNOB	FAN25CNOB	FAN25UNOB	FAN25VNOB
Air flow rate	m <sup>3</sup> /h	-	230/262	230/262	230	230
Power supply	V ~ Hz	-	230 1~ 50-60	115 1~ 50-60	24 V DC	48 V DC
Dimensions HxWxD	mm	250x250x26	250x250x114	250x250x114	250x250x114	250x250x114
Absorbed electric power	W	-	37/36	43/40	12	12
Max. current	A	-	0,28/0,27	0,65/0,6	0,5	0,5
Over current protection	-	-	Inside motor	Inside motor	Inside motor	Inside motor
Electrical connection	-	-	Faston	Faston	Faston	Faston
Duty cycle	-	-	100%	100%	100%	100%
Temperature limits	°C	-30 +75	-10 +50	-10 +50	-10 +50	-10 +55
Protection level EN60529	-	IP44	IP54	IP54	IP54	IP54
Noise level	dB (A)	-	56/58	56/58	50	50
FAN + FIL capacity	m <sup>3</sup> /h	-	1xFIL25XNOB: 195/220 2XFIL25XNOB: 215/233 1XFIL35XNOB: 205/228		1xFIL25XNOB: 195 2XFIL25XNOB: 215 1XFIL35XNOB: 205	
Direction of the air flow	-	-	Outside towards the inside Reversible	Outside towards the inside Reversible	Outside towards the inside Reversible	Outside towards the inside Reversible
Filter (Eurovent 4/9)	-	EU3	EU3	EU3	EU3	EU3
Motor support	-	-	Bearings	Bearings	Bearings	Bearings
Conformity	-	CE	CE	CE	CE	CE
Colour	-	RAL 7035 orange peel effect				

Accessories/Options	
Pack of 10 cloth filters for FAN23-25	AAFFN25
Pack of 10 cloth filters for FAN23-25 high filtering capacity	AAFFH25
Pack of 10 cloth filters for FAN35	AAFFN35
Pack of 10 cloth filters for FAN35 high filtering capacity	AAFFH35
0-60°C thermostat, NO 10A	AAFTO12
5-60°C thermostat, change-over contact 10A	AAWTS10
Casing for IP55 protection	C12001229

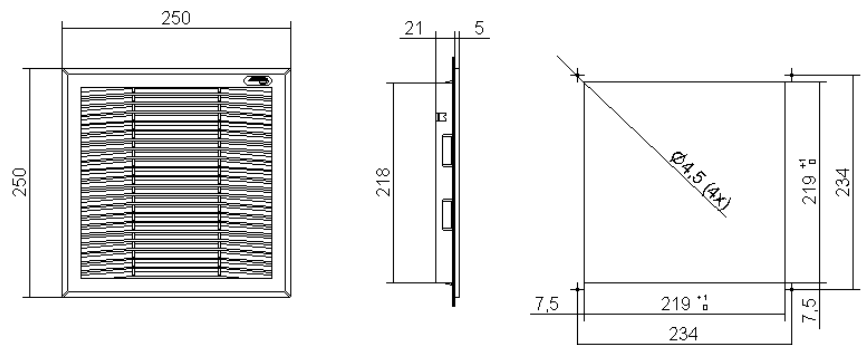
REMARK : The drilling templates are merely indicative.  
Always put in touch with our technical-sales department for further explanation you should need.



## FAN25



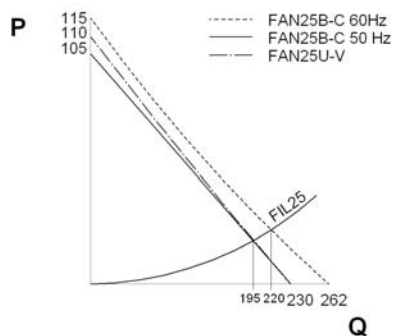
## FIL25



Dimensions

Drilling templates

## Performances



P = Static pressure (Pa)  
Q = Air flow rate (m<sup>3</sup>/h)