

IDEM Safety Switches Ltd.

DIN Rail Power Supply Operating Instructions



Model: DRS-2415

Part No.: 185001

Wide input range (100 – 240VAC)

DC OK indication and signal contact

6 Output voltage terminals for multiple connections

22.5mm DIN rail mountable enclosure

24Vdc Output 15W / 0.63A

Overtoltage protection

Short circuit protection



The DRS-2415 power supply from IDEM Safety Switches is designed to provide regulated 24VDC power to devices such as non-contact safety switches and safety relays.

The DRS-2415 has both short circuit and overvoltage protection built in as well as a DC OK voltage free signal contact to indicate the status of the DC power.

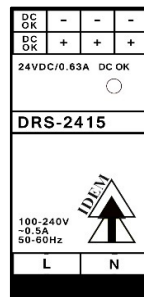


WARNING: Only make electrical connections when the device is isolated from the main supply.

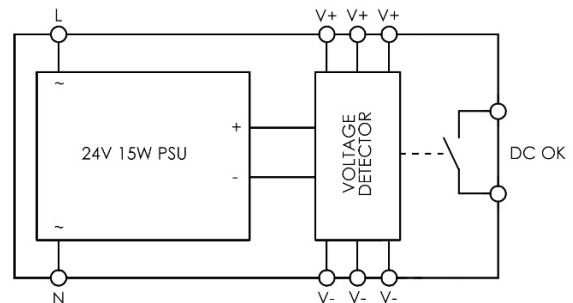
MAINTENANCE: The DRS-2415 requires no maintenance, there are no serviceable parts.
DO NOT DISMANTLE

Terminal Connections

- L Live Connection VAC Supply
- N Neutral Connection VAC Supply
- + +24VDC Output Connection
- 0VDC Output Connections
- DC OK DC Status Signal Output
Closed = 'OK'



Internal Block Diagram



Specifications

Item	Value	Unit
AC Input Voltage Range	100 – 240	VAC
Input Frequency	50 – 60	Hz
Inrush Current	30A at 240VAC, cold start at 25°C	-
Input Current (115/230VAC)	0.4 / 0.2	A
Output Voltage	24	VDC
Output Current	0.63	A
Load Regulation	±1% (10% to 100% load)	-
Line Regulation	±0.5% (100-240VAC line change)	-
Ripple & Noise	1% or 50mV whichever is greater	mV
Short Circuit Protection	Continuous – hiccup mode	-
Overtoltage Protection	130-150%, Zener clamp	-
Efficiency	75	%
Operating Temperature	0 - +55	°C
Storage Temperature	-20 - +85	°C
DC OK Signal Contact Rating	24Vac/dc, 200mA	-

Dimensions

