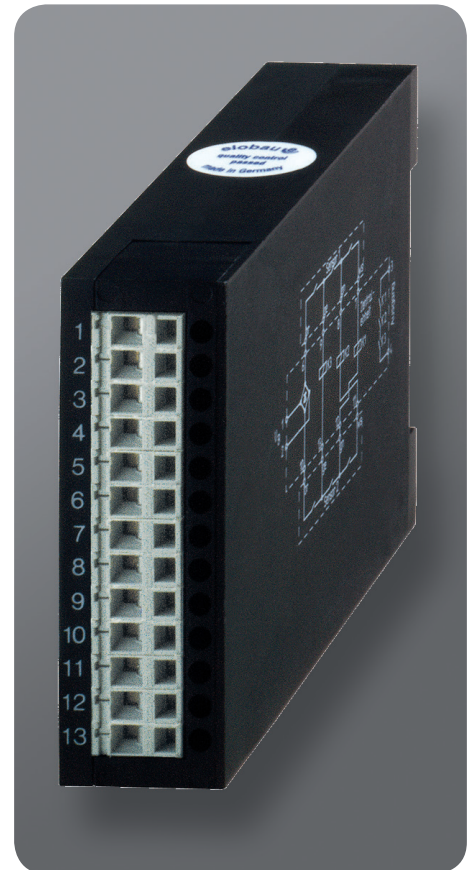


Safety control unit

463 121 B1 / 463 124 B1

for 1 to 8 machine safety sensors

- + PLd according to EN ISO 13849-1
- + two safety outputs and external contactor monitoring
- + for sensors with N.O./N.C. system
- + extremely space-saving design for narrow installation conditions
- + up to 8 sensors can be connected via external interfaces
- + LED status display
- + automatic startup or confirm using start button



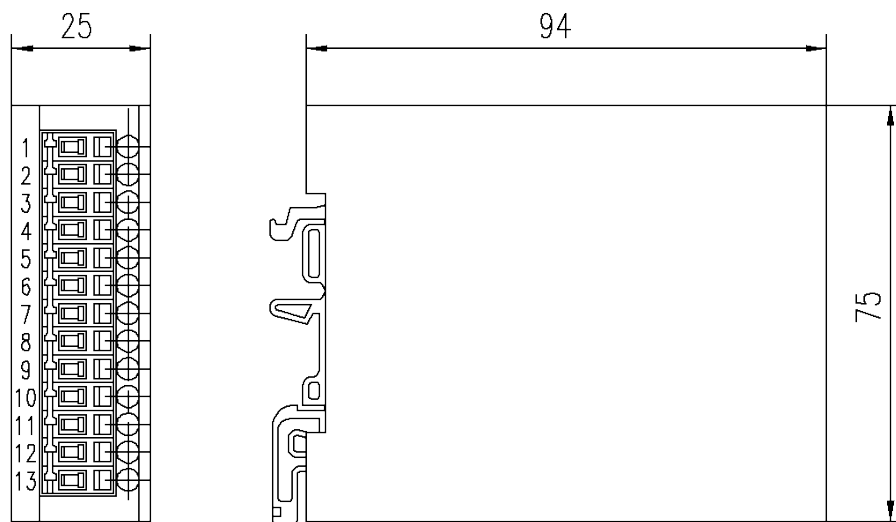
Use

The 463 121 B1 and 463 124 B1 models are designed for evaluating the signals from machine safety sensors. All elobau sensors with a N.O./N.C. system can be connected to this unit. The unit can be used in all areas of general machine construction. Due to its small design, the control unit is also ideal for applications with minimum space requirements.

Types

The 463 121 B1 and 463 124 B1 models have different operating voltages of 24 V DC and 230 V AC respectively.

Mechanical assembly



Installation dimensions

Housing	94 x 75 x 25 mm
Installation	on TH35 hat rails according to DIN EN 60715

Key mechanical data

Technology	control unit for 1-8 external N.O./N.C. sensors*
Material	PA (polyamide)
Weight	up to approx. 147 g (depending on version)
Working temperature range	0 °C to +55 °C (+32 °F to +131 °F)
Storage temperature range	-25°C to +85°C (-13 ° to +185 °F)
International protection	IP40 EN 60529
Colour	black
Timing sequence	3 s
Monitoring	external contactor

* 1 sensor can be connected directly, up to 8 via additional interfaces

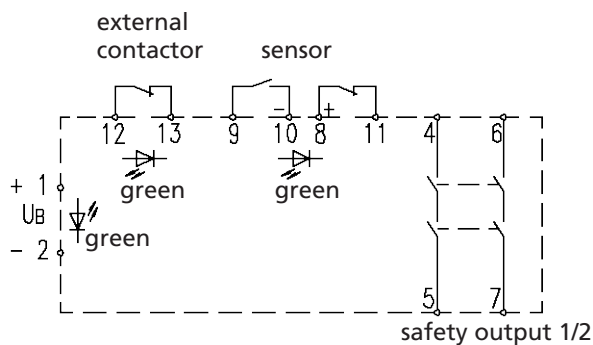
Approvals and safety key data

Safety key data	SIL _{CL} 2 (EN IEC 62061)
	PLd (EN ISO 13849-1)
	category 3 (EN 954-1 / EN ISO 13849-1)
	PFH _d 463 121 B1: 1.33e ⁻⁸ 1/h (EN IEC 62061)
	PFH _d 463 124 B1: 1.37e ⁻⁸ 1/h (EN IEC 62061)
Approvals	ETL

Key electrical data

	463 121 B1	463 124 B1
Operating voltage	24 V DC ± 10 %	230 V AC ± 10 %
Power consumption	max. 90 mA	max. 40 mA
Status display	3 x LED	
	Safety output 1 + 2	
Switching voltage	250 V AC / 30 V DC	
Switching current	3 A AC/DC	
Switching capacity	750 VA / 90 W	

Connection

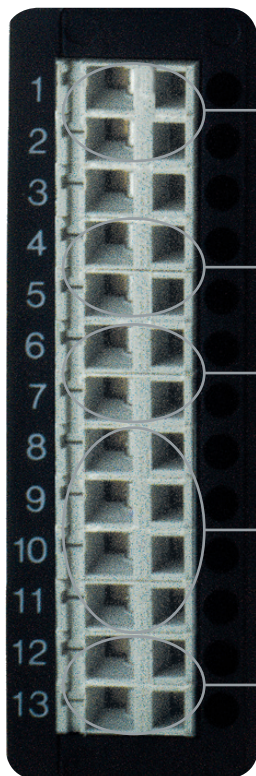


Shown in de-energized state. Sensors are not actuated.

Connection type

Terminal area

0.08 - 2.5 mm²



Terminals 1 + 2: U_B

Terminals 4 + 5: safety output 1

Terminals 6 + 7: safety output 2

Terminals 8-11: sensor

Terminals 12 + 13: external contactor

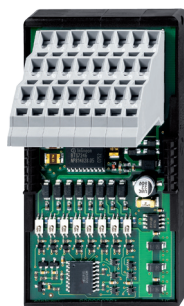
The integrated LEDs indicate the operating voltage applied, the external contactor and any connected sensors.

The device switches on automatically once the operating voltage is applied and the sensor is correctly actuated.

A sensor can be directly connected to the control unit. However, up to 8 sensors can also be used with the following elobau interfaces:

363 098

363 096 K30



Specifications of your safety control unit

Model

- 463 121 B1 ($U_b = 24$ V DC)
- 463 124 B1 ($U_b = 230$ V AC)

