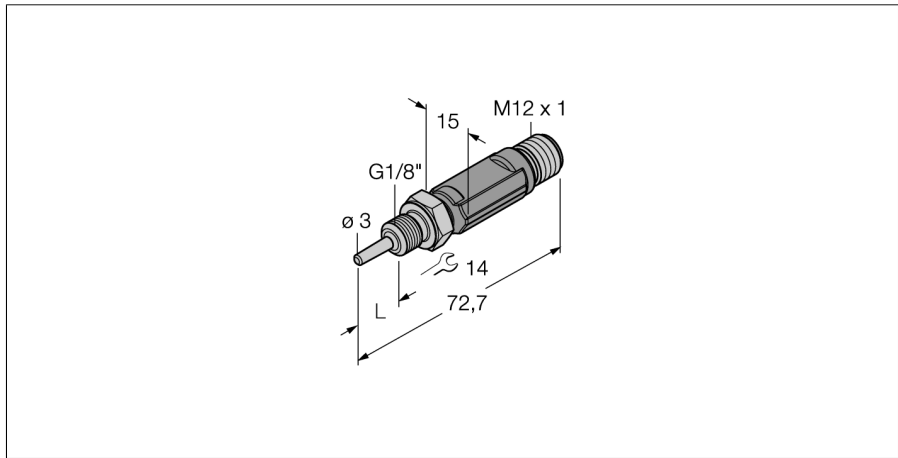
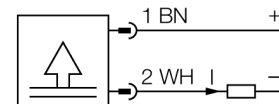


**Temperature measurement  
With Current Output  
TTM100C-103A-G1/8-LI6-H1140-L024**



- Miniature design
- Analog output 4...20 mA
- Factory setting 0...100 °C (other settings on request)
- Process connection G1/8" male thread

**Wiring Diagram**



<b>Type designation</b>	TTM100C-103A-G1/8-LI6-H1140-L024
Ident no.	9910551
<b>Temperature range</b>	
Temperature operating range	0...100 °C
Temperature operating range	32...212 °F
Measuring element	Pt-1000 probe, DIN EN 60751, class A
Response time	t 0.5 = 1.5 s / t 0.9 = 6.0 s in water at 0.2 m/s
Immersion depth (L)	24 mm
<b>Power supply</b>	
Operating voltage	10...24 VDC
Current consumption	≤ 20 mA
Short-circuit/reverse polarity protection	yes / yes
Protection type and class	IP67 / III
<b>Outputs</b>	
Output 1	Analog output
<b>Analog output</b>	
Operating range	4...20 mA (2-wire)
Load	≤ 0.7 kΩ
Accuracy (Lin. + Hys. + Rep.)	± 0.2 K
<b>Temperature behaviour</b>	
Temperature coefficient zero point Tk0	± 0.1 % of full scale/10 K
Temperature coefficient span T <sub>is</sub>	± 0.1 % of full scale/10 K
<b>Ambient conditions</b>	
Ambient temperature	-40...+80 °C
Storage temperature	-40...+80 °C
<b>Housing</b>	
Housing material	Stainless-steel/Plastic, V4A (1.4404)
Sensor material	Stainless steel, V4A (1.4404)
Process connection	G1/8" male thread
Electrical connection	Connectors, M12 x 1
Pressure resistance	100 bar
<b>Reference conditions acc. to IEC 61298-1</b>	
Temperature	15...+25 °C
Atmospheric pressure	860...1060 hPa abs.
Humidity	45...75 % rel.
Auxiliary power	24 VDC

**General description**

Temperatures are recorded over a mineral insulated transmitter and converted into a wide range of electrical output signals.

The devices of the TTM miniature series are enclosed in a fully potted plastic housing and depending on the variant, they have either an IO-link output, power output and/or switching output.

**Temperature measurement  
With Current Output  
TTM100C-103A-G1/8-LI6-H1140-L024**

**Wiring accessories**

Type code	Ident no.	Description	
WKC4.4T-2/TEL	6625025	Connection cable, female M12, angled, 4-pin, cable length: 2 m, sheath material: PVC, black; cULus approval; other cable lengths and qualities available, see <a href="http://www.turck.com">www.turck.com</a>	
RKC4.4T-2/TXL	6625503	Connection cable, female M12, straight, 4-pin, cable length: 2 m, sheath material: PUR, black; cULus approval; other cable lengths and qualities available, see <a href="http://www.turck.com">www.turck.com</a>	
WKC4.4T-2/TXL	6625515	Connection cable, female M12, angled, 4-pin, cable length: 2 m, sheath material: PUR, black; cULus approval; other cable lengths and qualities available, see <a href="http://www.turck.com">www.turck.com</a>	
RKC4.4T-P7X2-10/TXL	6626184	Connection cable, female M12, angled, 4-pin, cable length: 10m, sheath material: PUR, black; cULus approval; other cable lengths and qualities available, see <a href="http://www.turck.com">www.turck.com</a>	