

7511 Series

The 7511 and 7511HV counters are feature packed with an unrivalled performance ratio, suitable for thousands of applications



8-digit liquid crystal display timer, self-powered with a 10-year battery life. A compact LCD timer designed for many applications, screw terminals ensure fast wiring. Features include backlighting (external 5VDC supply required), 4 timing modes, timing direction indication and 9mm high digits. High Voltage (HV) version accepts input voltages of 5-110VDC or 10-240VAC.

Key Features

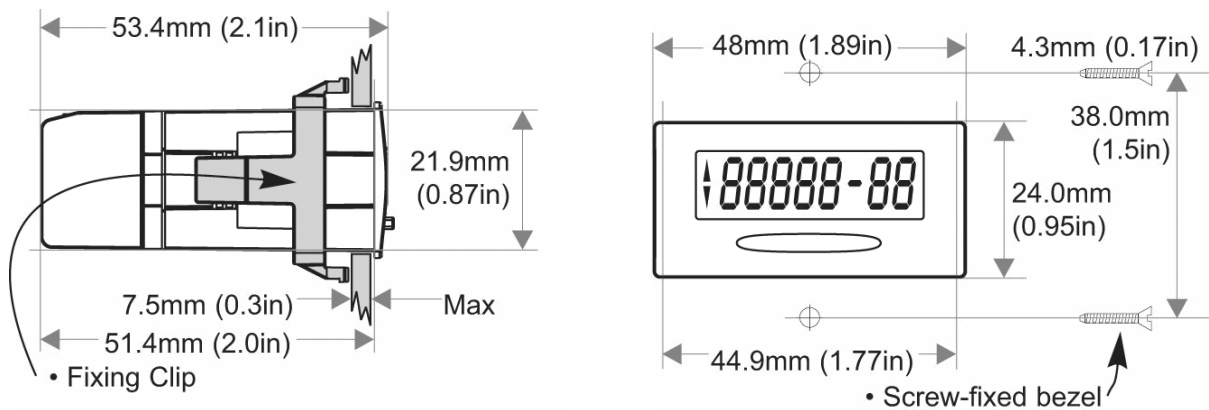
- Use of the latest CMOS circuitry achieves an expected battery life of 10 years.
- 9mm black high contrast LCD display.
- Backlight (externally powered) 5VDC.
- Minimum contact closure time 1 second.
- Four timing modes.
- Times up or down.
- External reset input.
- Choice of mounting available - front panel with supplied bezel or rear mounting clip.
- Front panel can be sealed to IP65.
- Simplified installation- all models have screw connections on rear for quick and simple connection.
- CE, UL and cUL approved
- 7511HV permits triggering from any voltage between 10-240VAC or 5-110VDC $\pm 10\%$.

Common Specifications

Battery life	10-years typical
Display	8-digit black LCD, 9mm characters with leading zero blanking
Timing Ranges	Seconds, minutes and seconds; hours and 1/100ths and hours and minutes
Timing Input (HV Version)	Sink signal (NPN) 18VDC maximum threshold 1VDC negative edge trigger
Direction Input	Up not connected, down connected to common
Operating Temp	-10°C to +60°C [14°F to 140°F]
Storage Temp	-20°C to +70°C [-4°F to 158°F]
Material	Clear polycarbonate
Environmental Protection	IP65 / NEMA 4X
Weight	62g [2.2oz.]



Dimensions



Panel cutout 45mm x 22.5mm (1.771" x 0.885")

Part Numbers:

7511 - 8-digit Self-powered Totalising Timer

7511HV - 8-digit Self-powered Totalising Timer with High Voltage Input



Countersales +44 01132 289 7147
sales@countersales.co.uk