



KAPPA series

7 Functions

7 time ranges

1 normally open contact, 1 normally closed contact

Supply voltage 24V a.c./d.c. and 110-240V a.c.

Pluggable

Width 38 mm

Installation design



Read and understand these instructions before installing, operating or maintaining the equipment.



Danger!

Never carry out work on live parts! Danger of fatal injury! The product must not be used in case of obvious damage. To be installed by an authorized person.

Technical data

1. Functions

The function has to be set before connecting the relay to the supply voltage.

Ip	Asymmetric flasher pause first
li	Asymmetric flasher pulse first
ER	ON delay and OFF delay with control contact
EWu	ON delay single shot leading edge voltage controlled
EWs	ON delay single shot leading edge with control contact
WsWa	Single shot leading and single shot trailing edge with control contact
Wt	Pulse sequence monitoring

2. Time ranges

Time range	Adjustment range	
1s	50ms	1s
10s	500ms	10s
1min	3s	1min
10min	30s	10min
1h	3min	1h
10h	30min	10h
100h	5h	100h

3. Indicators

Green LED U/t1 ON:	indication of supply voltage
Green LED U/t1 flashes:	indication of time period t1
Green LED t2 flashes:	indication of time period t1
Yellow LED R ON/OFF:	indication of relay output

4. Mechanical design

Self-extinguishing plastic housing, IP rating IP40
Mounted on screw terminal socket 11-pols in accordance with IEC 60067-1-18a (type R11X or ES12)
Mounting position: any

5. Input circuit

Supply voltage:	
24V d.c.	Pins S2(+) - S7
24V a.c.	Pins S2 - S7
110 - 240V a.c.	Pins S2 - S10
Tolerance:	
24V d.c.	±10%
24V a.c.	-15% to +10%
110 - 240V a.c.	-15% to +10%
Rated consumption:	
24V a.c./d.c.	0,8VA (0,6W)
110V a.c.	2,4VA (0,6W)
240V a.c.	19VA (1,1W)
Rated frequency:	a.c. 48 to 63Hz
Duty cycle:	100%
Reset time:	200ms

Residual ripple to d.c.:	10%
Drop-out voltage:	>30% of the supply voltage
Overvoltage category:	III (in accordance with IEC 60664-1)
Rated surge voltage:	4kV

6. Output circuit

1 potential free normally open contact:	Pins S1 - S4
1 potential free normally closed contact:	Pins S9 - S11
Rated voltage:	250V a.c.
Contact material:	AgNi
Switching capacity:	1250VA (5A / 250V a.c.)
If the distance between the devices is less than 5mm.	Switching capacity:
	2000VA (8A / 250V a.c.)
If the distance between the devices is greater than 5mm.	Fusing:
	8A fast acting
Prospective current value:	1000A _{EFF}
Mechanical life:	20 x 10 ⁶ operations
Electrical life:	2 x 10 ⁵ operations
	at 1000VA resistive load
Switching frequency:	max. 6/min at 1000VA resistive load
	(in accordance with IEC 60947-5-1)
Overvoltage category:	III (in accordance with IEC 60664-1)
Rated surge voltage:	4kV

7. Control input

Input not potential free:	pins S2-S5
Loadable:	yes
Line length:	max. 10m
Trigger level (sensitivity):	automatic adaption to supply voltage
Min. control pulse length:	d.c. 50ms / a.c. 100ms

8. Remote potentiometer

Connections:	1MΩ potentiometer (type RONDO R2)
	pins S3-S6 (t2), S6-S8 (t1)
Line length:	max. 5m (twisted pair)

9. Insulation data

Insulation:	Basic insulation
Dielectric test voltage:	1640V

10. Accuracy

Base accuracy:	±1% of maximum scale value
	±5% using 1MΩ remote potentiometer
Adjustment accuracy:	≤5% of maximum scale value
	≤5% using 1MΩ remote potentiometer
Repetition accuracy:	±5% or ±100ms
Voltage influence:	—
Temperature influence:	≤0,05% / °C

11. Ambient conditions

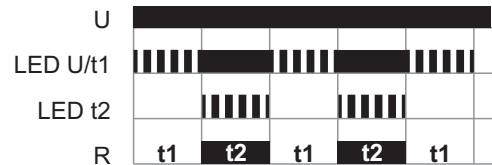
Ambient temperature: -25 to +55°C
 Storage temperature: -25 to +70°C
 Transport temperature: -25 to +70°C
 Relative humidity: 15% to 85% (in accordance with IEC 60721-3-3 class 3K3)
 Pollution degree: 2 (in accordance with IEC 60664-1)

Functions

The internal potentiometer is de-activated when a remote-potentiometer is connected! The function has to be set before connecting the relay to the supply voltage.

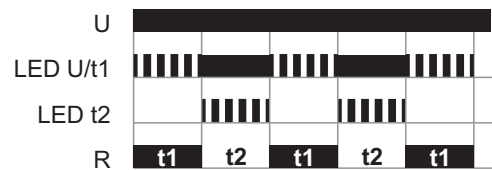
Asymmetric flasher pause first (Ip)

When the supply voltage U is applied, the set interval t1 begins (green LED flashing slowly). After the interval t1 has expired, the output relay R switches into on-position (yellow LED illuminated) and the set interval t2 begins (green LED flashing fast). After the interval t2 has expired, the output relay switches into off-position (yellow LED not illuminated). The output relay is triggered at the ratio of t1:t2 until the supply voltage is interrupted.



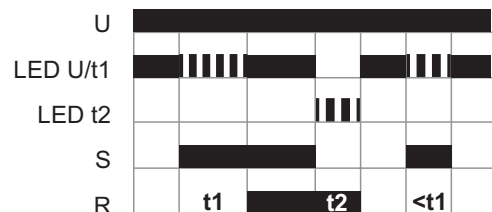
Asymmetric flasher pulse first (Ii)

When the supply voltage U is applied, the output relay R switches into on-position (yellow LED illuminated) and the set interval t1 begins (green LED flashing slowly). After the interval t1 has expired, the output relay switches into off-position (yellow LED not illuminated) and the set interval t2 begins (green LED flashing fast). After the interval t2 has expired, the output relay switches into on-position (yellow LED illuminated). The output relay is triggered at the ratio of t1:t2 until the supply voltage is interrupted.



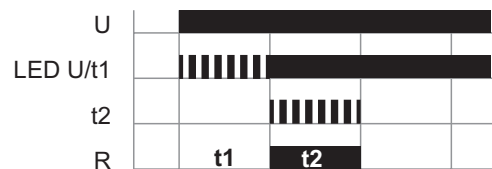
ON delay and OFF delay with control contact (ER)

The supply voltage U must be constantly applied to the device (green LED illuminated). When the control contact S is closed, the set interval t1 begins (green LED flashing slowly). After the interval t1 has expired (green LED illuminated), the output relay R switches into on-position (yellow LED illuminated). If the control contact is opened, the set interval t2 begins (green LED flashing fast). After the interval t2 has expired (green LED illuminated) the output relay switches into off-position (yellow LED not illuminated). If the control contact is opened before the interval t1 has expired, the interval already expired is erased and is restarted with the next cycle.



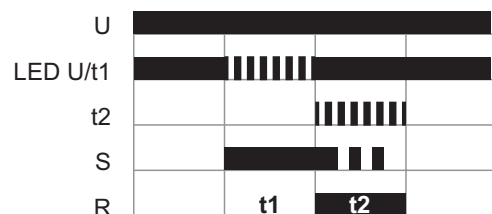
ON delay and single shot leading edge voltage controlled (EWu)

When the supply voltage U is applied, the set interval t1 begins (green LED flashing slowly). After the interval t1 has expired the output relay R switches into on-position (yellow LED illuminated) and the set interval t2 begins (green LED flashing fast). After the interval t2 has expired (green LED illuminated) the output relay switches into off-position (yellow LED not illuminated). If the supply voltage is interrupted before the interval t1+t2 has expired, the interval already expired is erased and is restarted when the supply voltage is next applied.



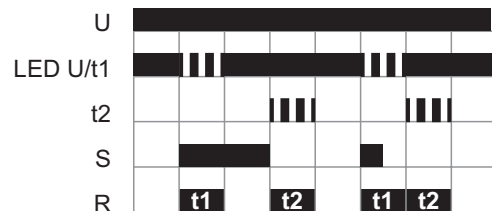
ON delay and single shot leading edge with control contact (EWs)

The supply voltage U must be constantly applied to the device (green LED illuminated). When the control contact S is closed, the set interval t1 begins (green LED flashing slowly). After the interval t1 has expired, the output relay R switches into on-position (yellow LED illuminated) and the set interval t2 begins (green LED flashing fast). After the interval t2 has expired (green LED illuminated) the output relay switches into off-position (yellow LED not illuminated). During the interval, the control contact can be operated any number of times. A further cycle can only be started when the cycle run has been completed.



Single shot leading and single shot trailing edge with control contact (WsWa)

The supply voltage U must be constantly applied to the device (green LED U/t1 illuminated). When the control contact S is closed, the output relay R switches into on-position (yellow LED illuminated) and the set interval t1 begins (green LED U/t1 flashes). After the interval t1 has expired (green LED U/t1 illuminated), the output relay R switches into off-position (yellow LED not illuminated). If the control contact is opened, the output relay again switches into on-position (yellow LED illuminated) and the set interval t2 begins (green LED t2 flashes). After the interval t2 has expired (green LED t2 not illuminated) the output relay switches into off-position (yellow LED not illuminated). During the interval, the control contact can be operated any number of times.



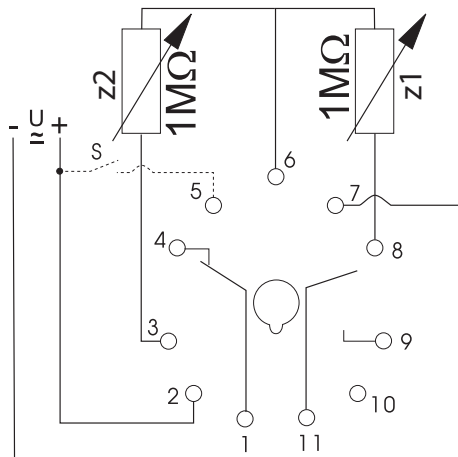
Pulse sequence monitoring (Wt)

When the supply voltage U is applied (green LED U/t illuminated), the output relay R switches into on-position (yellow LED illuminated). When the control contact S is closed, the set interval t begins (green LED U/t flashes). So that the output relay R remains in on-position, the control contact S must be opened and closed again within the set interval t. If this does not happen, the output relay R switches into off-position and all further pulses at the control contact are ignored. To restart the function the supply voltage must be interrupted and re-applied.

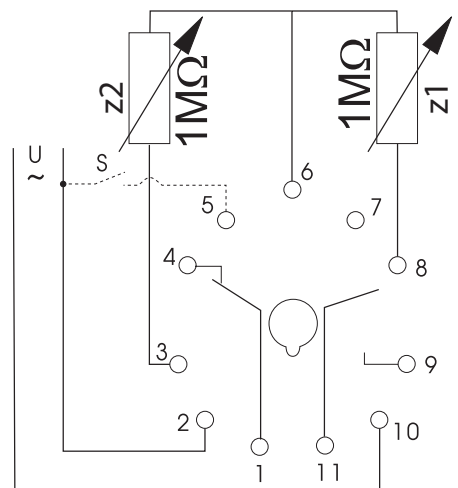


Connections

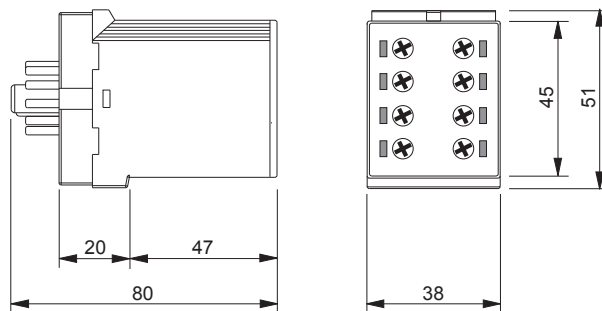
24V a.c./d.c.



110-240V a.c.



Dimensions



Ordering information

Type	Functions	Supply Voltage	Part. No.
K3ZIF20 24V AC/DC 110-240V AC	Ip, li, ER, EWu, EWs, WsWa, Wt	24V a.c./d.c. 110-240V a.c.	135700

RELEASE 2015/01

Subject to alterations and errors