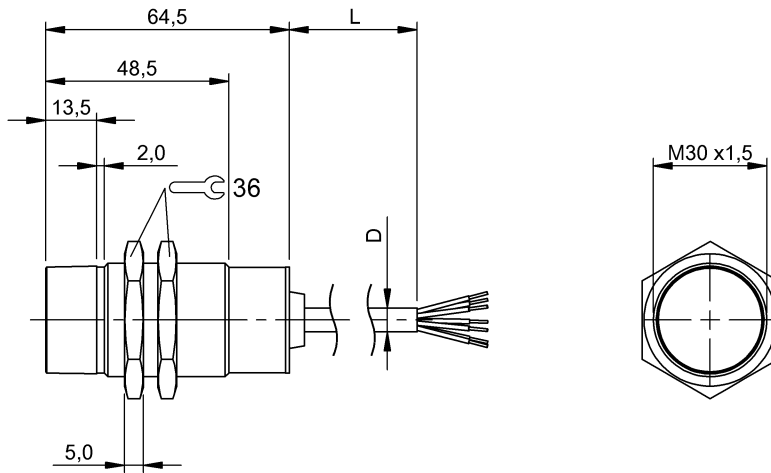


**BIC 2I2-P2A03-M30MF2-EPX07-050**  
**Ordering code: BIC001T**

Inductive data coupler  
M30



**Characteristic data**

Type	Remote
Working range	1...5 mm
Function indicator	No

**Electrical data**

Ripple $U_a$ max.	$\pm 1.5$ V
Output voltage remote DC	12 V
Output permanent current	40 mA
Stability	EN 61000-4-2/3/4/5/6
Number of outputs	

**Mechanical data**

Type of mounting	Non embeddable
Displacement	$\pm 3$ mm
Connection type	Cable
Cable length	5 m
Cable jacket colour	black
Number of conductors	7

Cable diameter D	6,3
Conductor cross-section	0.3 mm <sup>2</sup>
Ambient temperature $T_a$ min.	0 °C
Ambient temperature $T_a$ max.	50 °C
Storage temperature min.	-25 °C
Storage temperature max.	75 °C
Housing material	Nickel plated brass
Sensing surface material	ABS + PBT
Cable jacket material	PUR

**Basic data**

Enclosure Type per IEC 60529	IP67
Stability	EN 61000-4-2/3/4/5/6
Approvals	CE

**Remarks**

Operate Remote devices BIC 2I2-P2A03-M30MF2-EPX07-... only with Base devices BIC 1I2-P2A03-M30MO2-EPX07-...!



**BIC 2I2-P2A03-M30MF2-EPX07-050**  
**Ordering code: BIC001T**

**Inductive data coupler**  
**M30**

**BALLUFF**  
*sensors worldwide*

PNP	BK	-
BIC	WH	+
Remote	BU	-
	BN	
	RD	
	YE	
	GN	