

Dimensional drawings and order information

Programming Tool for DRS 61

Type	Part no.
PGT-04-S	1 034 930

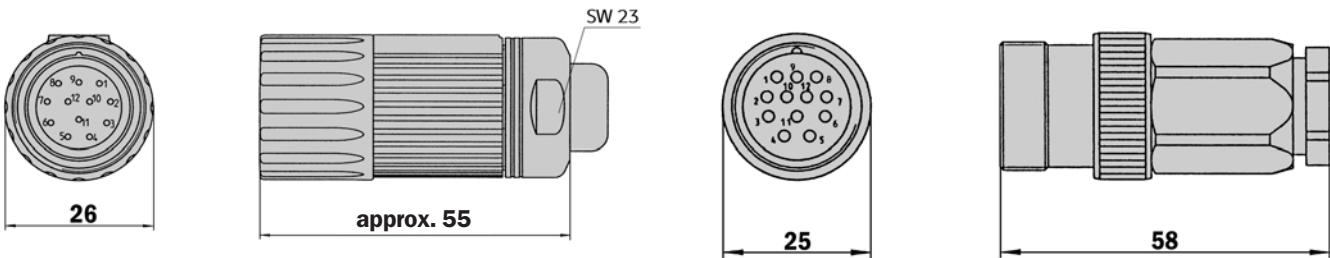
Screw-in system M23, 12 pin

Cable connector M23 female, 12 pin, straight, screened

Type	Part no.	Contacts
DOS-2312-G	6 027 538	12

Cable connector M23, 12 pin, straight, screened

Type	Part no.	Contacts
STE-2312-G	6 027 537	12



Connector M23 female, 12 pin, straight, cable 12 cores, 4 x 2 x 0.25 + 2 x 0.5 + 2 x 0.14 mm² with screening, capable of being dragged, cable diameter 7.8 mm

Type	Part no.	Contacts	Cable length
DOL-2312-G1M5MA3	2 029 212	12	1.5 m
DOL-2312-G03MMA3	2 029 213	12	3.0 m
DOL-2312-G05MMA3	2 029 214	12	5.0 m
DOL-2312-G10MMA3	2 029 215	12	10.0 m
DOL-2312-G20MMA3	2 029 216	12	20.0 m
DOL-2312-G30MMA3	2 029 217	12	30.0 m

Cable 8 core, per meter, 4 x 2 x 0.15 mm² with screening, cable diameter 5.6 mm

Type	Part no.	Wires
LTG-2308-MWENC	6 027 529	8

Cable 11 core, per meter, 4 x 2 x 0.25 + 2 x 0.5 + 1 x 0.14 mm² with screening, cable diameter 7.5 mm

Type	Part no.	Wires
LTG-2411-MW	6 027 530	11

Cable 12 core, per meter, 4 x 2 x 0.25 + 2 x 0.5 + 2 x 0.14 mm² with screening, capable of being dragged, cable diameter 7.8 mm

Type	Part no.	Wires	Explanation
LTG-2512-MW	6 027 531	12	
LTG-2612-MW	6 028 516	12	UV and salt water resistant

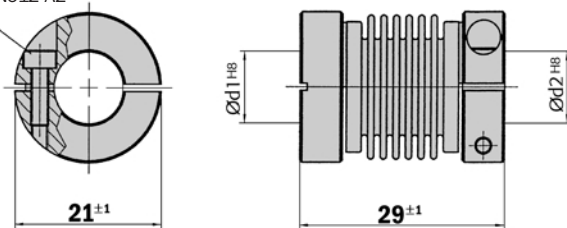
Dimensional drawings and order information

Couplings

Bellows coupling, max. shaft offset radial ± 0.3 mm, axial 0.4 mm, angle ± 4 degrees, torsion spring stiffness 120 Nm/rad, bellows of stainless steel, hubs of aluminium

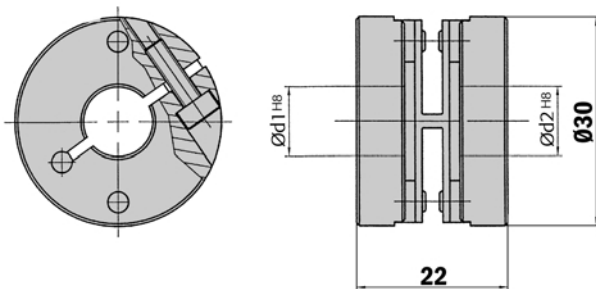
Type	Part no.	Shaft diameter
KUP-0606-B	5 312 981	6 mm ... 6 mm
KUP-0610-B	5 312 982	6 mm ... 10 mm
KUP-1010-B	5 312 983	10 mm ... 10 mm
KUP-1012-B	5 312 984	10 mm ... 12 mm

Cheese-head screw
M2,5x8 DIN912 A2



Spring-disc coupling, max. shaft offset radial ± 0.3 mm, axial 0.4 mm, angle ± 2.5 degrees, torsion spring stiffness 50 Nm/rad, flange of aluminium, spring-discs of glass-fibre-reinforced plastic

Type	Part no.	Shaft diameter
KUP-0610-F	5 312 985	6 mm ... 10 mm
KUP-1010-F	5 312 986	10 mm ... 10 mm



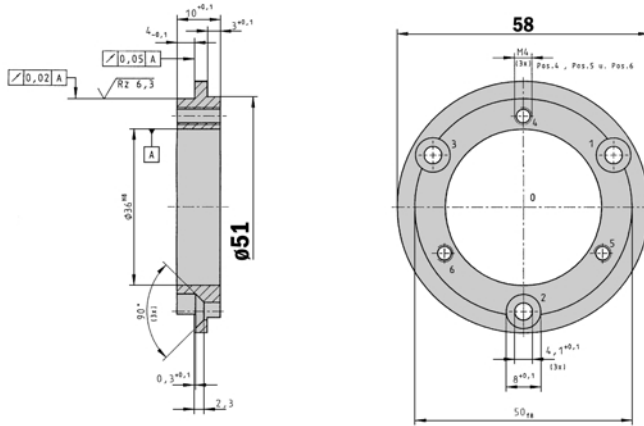
General tolerances according to DIN ISO 2768-mk

Dimensional drawings and order information

Mechanical Adaptors

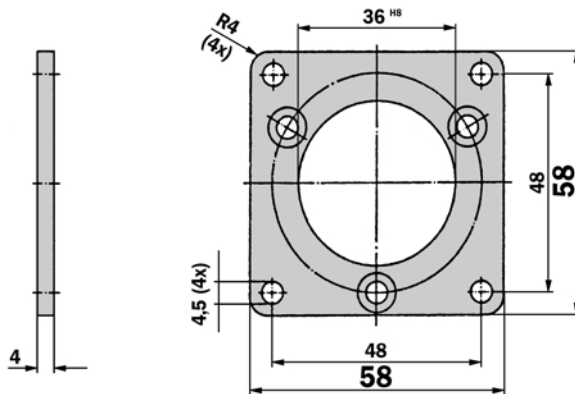
Adaptor flange of aluminium for face mount flange, spigot 36 mm

Type	Part no.	Adaption
BEF-FA-036-050	2 029 160	To 50 mm servo flange



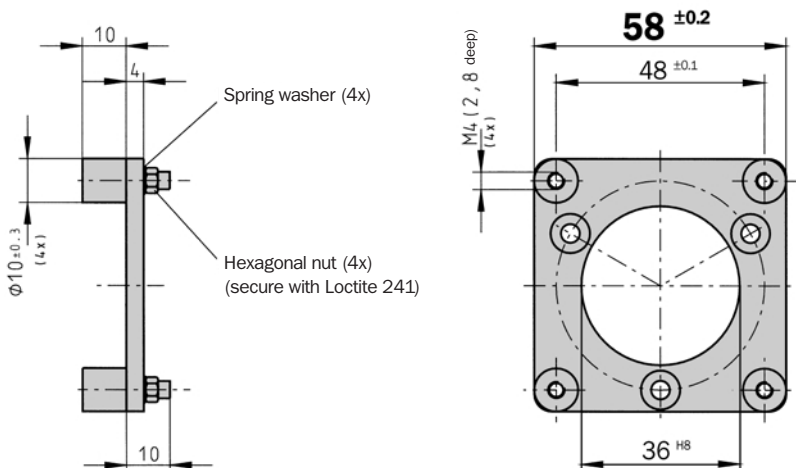
Adaptor flange of aluminium for face mount flange, spigot 36 mm

Type	Part no.	Adaption
BEF-FA-036-060REC	2 029 162	To 60 mm square mounting plate



Adaptor flange of aluminium for face mount flange, spigot 36 mm

Type	Part no.	Adaption
BEF-FA-036-060RSA	2 029 163	To 60 mm square mounting plate with shock absorbers

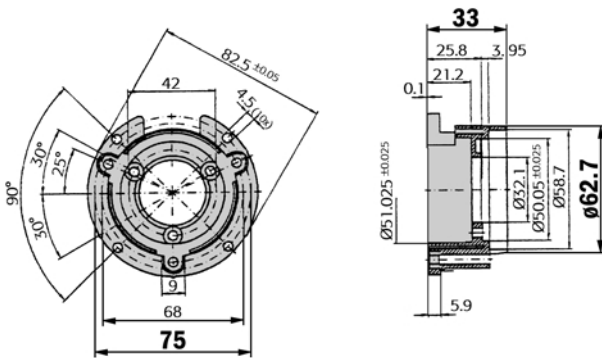


Dimensional drawings and order information

Mechanical Adaptors

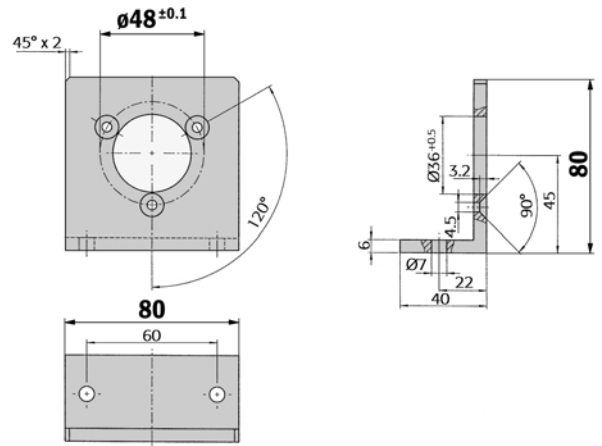
Mounting bell incl. fixing set for encoder with servo flange

Type	Part no.	Flange spigot
BEF-MG-50	5 312 987	Diameter 50 mm



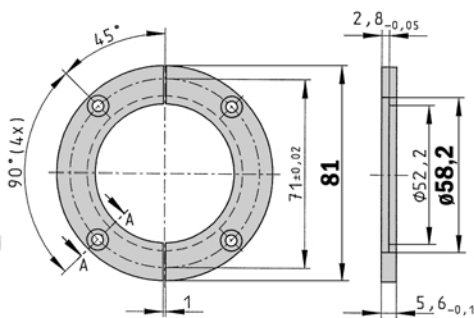
Mounting angle incl. fixing set for encoder with face mount flange

Type	Part no.	Flange spigot
BEF-WF-36	2 029 164	Diameter 36 mm



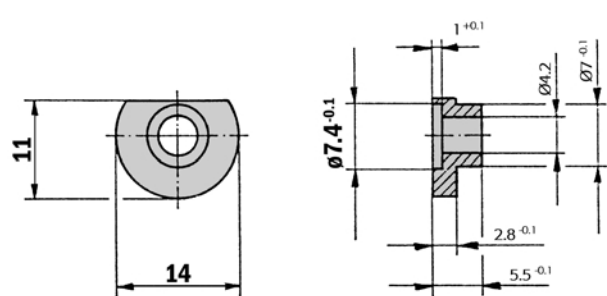
Servo clamps half ring, Set (comprises 2 pieces) for servo flanges with spigot diameter 50 mm

Type	Part no.
BEF-WG-SF050	2 029 165



Servo clamps small, Set (comprises 3 pieces) for servo flanges

Type	Part no.
BEF-WK-SF	2 029 166

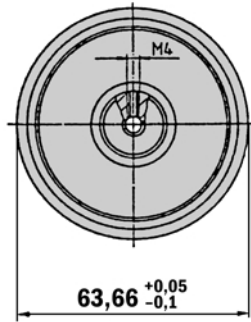


Dimensional drawings and order information

Mechanical Adaptors

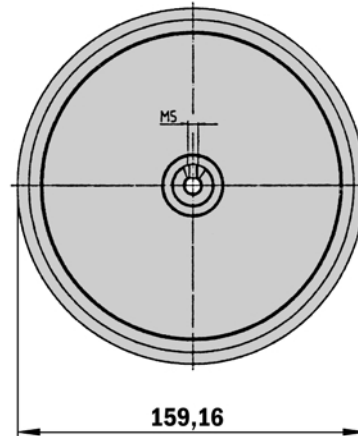
Measuring wheel for encoder shafts with diameter 10 mm, type material plastic (Hytrel), wheel material plastic with aluminium hub

Type	Part no.	Circumference
BEF-MR-010020	5 312 988	0.2 m



Measuring wheel for encoder shafts with diameter 10 mm, type material plastic (Hytrel), wheel material plastic with aluminium hub

Type	Part no.	Circumference
BEF-MR-010050	5 312 989	0.5 m



Collets

Collets for blind hollow shaft encoder

Type	Part no.	Shaft diameter
SPZ-006-AD-A	2 029 174	6 mm
SPZ-1E4-AD-A	2 029 175	1/4"
SPZ-008-AD-A	2 029 176	8 mm
SPZ-3E8-AD-A	2 029 177	3/8"
SPZ-010-AD-A	2 029 178	10 mm
SPZ-012-AD-A	2 029 179	12 mm
SPZ-1E2-AD-A	2 029 180	1/2"

Collets for through hollow shaft encoder

Type	Part no.	Shaft diameter
SPZ-006-AD-D	2 029 192	6 mm
SPZ-1E4-AD-D	2 029 193	1/4"
SPZ-008-AD-D	2 029 194	8 mm
SPZ-3E8-AD-D	2 029 195	3/8"
SPZ-010-AD-D	2 029 196	10 mm
SPZ-012-AD-D	2 029 197	12 mm
SPZ-1E2-AD-D	2 029 198	1/2"