

Datasheet - IFL 4B-12-10PK1

Inductive proximity switch / Housing construction form: cylinder, thread / IFL - M12



Preferred typ



- Design M12
- Metal enclosure
- DC 3-wire
- higher switching distance

(Minor differences between the printed image and the original product may exist!)

Ordering details

Product type description	IFL 4B-12-10PK1
Article number	101113600
EAN code	4030661047300

Approval

Approval



CCC

Global Properties

Product name	IFL - M 12
Standards	IEC/EN 60947-5-2; DIN VDE 0660-208
Compliance with the Directives (Y/N) 	Yes
Operating resource protection class	None
Materials	
- Material of the housings	Brass
- Material of the nuts	Brass, nickel-plated
- Material of the cable mantle	PVC
- Material of the active surface	Plastic
Housing coating	nickel-plated
Housing construction form	cylinder, thread

Weight 75 g

Mechanical data

Design of electrical connection	Cable
Cable length	2 m
Conductor with strain relief	No
Conductors	3 x 0,14 mm ²
mechanical installation conditions	Quasi-embeddable
- other metal	x ≥ 1.2 mm
- Steel	x ≥ 2.4 mm
Switch distance	4 mm
Reduction factor 1 met (Y/N)	No
Protection circuit	Protection against polarity reversal, inductive interference protection, short-circuit and overload proof (pulsed)
Pressure resistant (Y/N)	No
Tightening torque for nuts	A/F 17 max. 1500 Ncm
- in the shell core area: max. 500 Ncm	

Ambient conditions

Ambient temperature	
- Min. environmental temperature	-25 °C
- Max. environmental temperature	+70 °C
Protection class	IP67 to IEC/EN 60529

Electrical data

Design of control element	Normally open contact (NO)
Number of wire	3 piece
Voltage type	DC, direct current
Supply voltage	
- Min. supply voltage	5 V
- Max. supply voltage	40 V
Switch frequency	approx. 600 Hz
Voltage drop U _d	approx. 1.3 V (200 mA)
Operating current I _e	200 mA
No-load current I ₀	approx. 0,5 mA (24 V)

Outputs

Design of control output	PNP
--------------------------	-----

LED switching conditions display

LED switching conditions display (Y/N)	Yes
- yellow LED	

ATEX

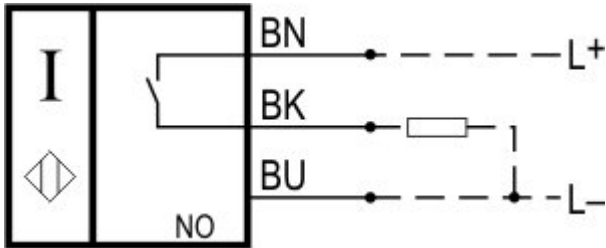
Explosion protection categories for gases	None
Explosion protected category for dusts	None

Dimensions

Dimensions of the sensor

- Length of sensor 53,3
- Diameter of sensor M12

Diagram



Note Diagram

- positive break NC contact
- active
- no active
- Normally-open contact
- Normally-closed contact

Ordering code

IFL (1)-(2)(3)-(4)(5)(6)(7)(8)-(9)

(1)	
2	Switch distance 2 mm
4	Switch distance 4 mm
B	Quasi-embeddable
(2)	
12	cylinder, thread M12, Metal film
120	cylinder, thread M12, Plastic
(3)	
<i>without</i>	Included in standard version Design
M	miniature body
L	Long design
(4)	
01	Opener (NC)
10	Normally open contact (NO)
10/01	Normally open contact (NO) / Opener (NC) with Wiring compartment
11	Normally open contact (NO) / Opener (NC) antivalent
(5)	
<i>without</i>	Cable
ST	Connector
T	Conductor with strain relief
(6)	
<i>without</i>	Included in standard version Plug-in connection
2	Alternative Plug-in connection
(7)	
N	n-type
P	p-type
(8)	

K	Max. fuse rating
1	pulsed
(9)	
2033	Stainless steel enclosure

Documents

Mounting and wiring instructions (de, en, fr, it) 79 kB, 05.10.2010

Code: m_fl1p01

Declaration of conformity (en, de) 232 kB, 05.11.2013

Code: __iflp01

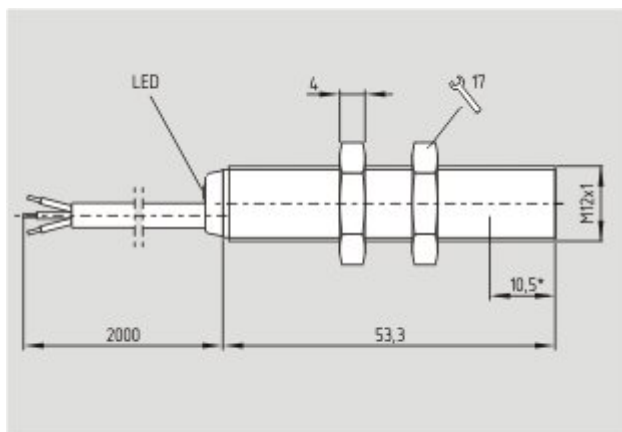
CCC certification (cn) 130 kB, 30.01.2014

Code: q_iflp03

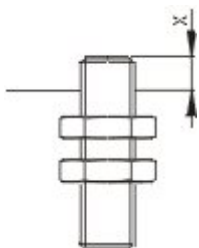
CCC certification (en) 186 kB, 30.01.2014

Code: q_iflp02

Images



Dimensional drawing (basic component)



Configuration graphic

System components

Mounting accessories

101068880 - MOUNTING CLAMP H 12

- For a smooth fitting of the proximity switches with cylindric shape \varnothing 12 mm or thread M12



K.A. Schmersal GmbH & Co. KG, Möddinghofe 30, D-42279 Wuppertal

The data and values have been checked thoroughly. Technical modifications and errors excepted.

Generiert am 27.05.2014 - 11:15:55h Kasbase 2.2.18.F DBI

Image

Image
et=sS
e