

22MM METAL ROUND ACTUATOR: ILLUMINATED PUSHBUTTON LATCHING, UNLOCKING BY PRESSING AGAIN WITH FLAT BUTTON ILLUMINABLE INCL. HOLDER FOR 3 ELEMENTS WITH HOLDER GREEN !!! Phased-out product !!! SIRIUS ACT 3SU1 is successor Preferred successor type is >>3SU1051-0AA40-0AA0 +

design of the product	Single device round
Enclosure	
number of command points	1
Actuator	
design of the actuating element	Illuminated pushbutton
principle of operation of the actuating element	latching
product extension optional light source	Yes
color of the actuating element	green
material of the actuating element	plastic
shape of the actuating element	Flat pushbutton
outer diameter of the actuating element	28.5 mm
type of unlocking device	push-to-unlatch mechanism
number of switching positions	2
Front ring	
product component front ring	Yes
design of the front ring	Standard
material of the front ring	metal
color of the front ring	silver
Holder	
material of the holder	Metal
General technical data	
product function	
• EMERGENCY OFF function	No
• EMERGENCY STOP function	No
protection class IP	IP67
vibration resistance acc. to IEC 60068-2-6	20 ... 200 Hz: 5g
operating frequency maximum	1 000 1/h
mechanical service life (switching cycles) typical	300 000
reference code acc. to IEC 81346-2	S
Substance Prohibitance (Date)	01.07.2006
Connections/ Terminals	
tightening torque of the screws in the bracket	1.4 ... 1.6 N·m
Ambient conditions	
ambient temperature	
• during operation	-25 ... +70 °C
• during storage	-40 ... +80 °C
environmental category during operation acc. to IEC 60721	3K6
Installation/ mounting/ dimensions	

fastening method	front mounting
shape of the installation opening	round
mounting diameter	22 mm
mounting height	14.5 mm
installation width	28.5 mm
installation depth	29 mm

Certificates/ approvals

General Product Approval	Marine / Shipping
--------------------------	-------------------



Marine / Shipping	other
-------------------	-------



[Miscellaneous](#)

[Confirmation](#)

Further information

Information- and Downloadcenter (Catalogs, Brochures,...)

<https://www.siemens.com/ic10>

Industry Mall (Online ordering system)

<https://mall.industry.siemens.com/mall/en/en/Catalog/product?mlfb=3SB3501-0DA41>

Cax online generator

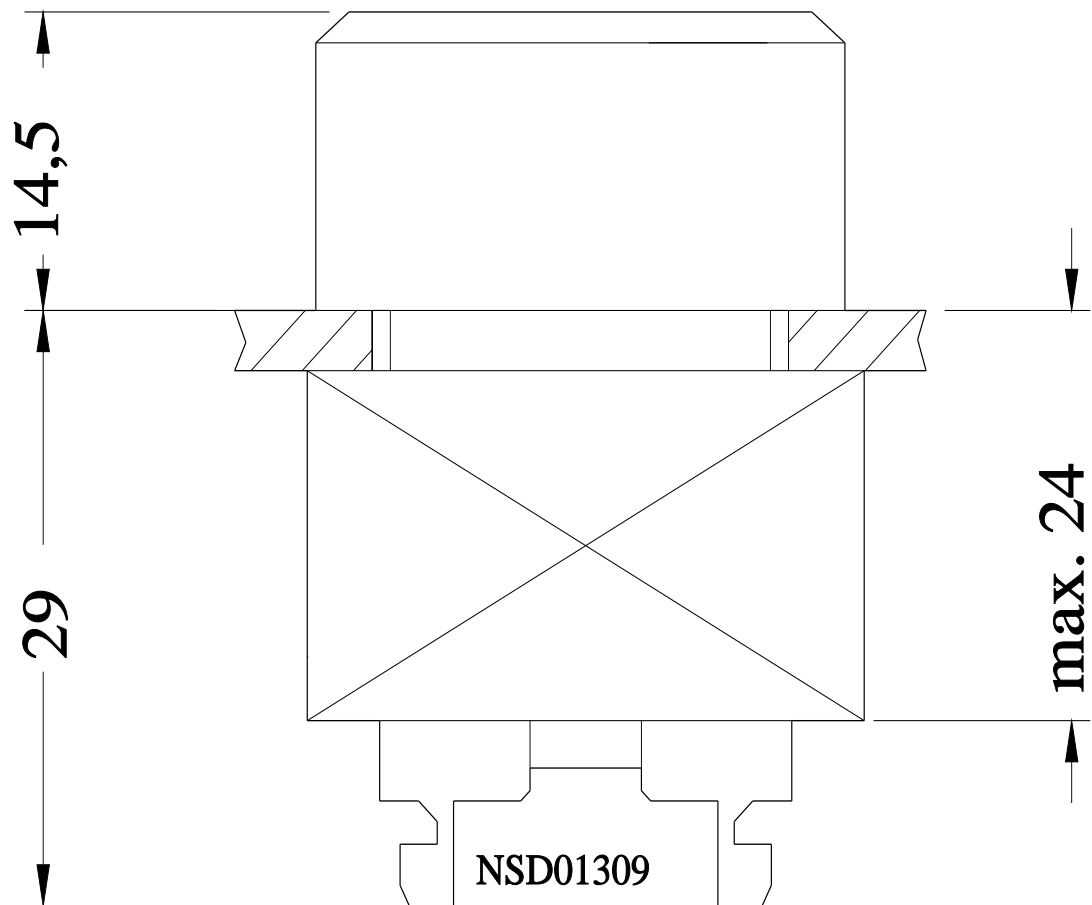
<http://support.automation.siemens.com/WW/CAXorder/default.aspx?lang=en&mlfb=3SB3501-0DA41>

Service&Support (Manuals, Certificates, Characteristics, FAQs,...)

<https://support.industry.siemens.com/cs/ww/en/ps/3SB3501-0DA41>

Image database (product images, 2D dimension drawings, 3D models, device circuit diagrams, EPLAN macros, ...)

http://www.automation.siemens.com/bilddb/cax_de.aspx?mlfb=3SB3501-0DA41&lang=en



last modified:

1/6/2021 