



NT8-16412

NT8

PRODUCT PORTFOLIO

SICK
Sensor Intelligence.



Ordering information

| Type | Part no. |
|-----------|----------|
| NT8-16412 | 1006007 |

Other models and accessories → www.sick.com/NT8



Detailed technical data

Features

| | |
|--|--|
| Dimensions (W x H x D) | 76 mm x 30 mm x 58.8 mm |
| Sensing distance | 9 mm ¹⁾ |
| Sensing distance tolerance | ± 2 mm |
| Housing design (light emission) | Rectangular |
| Light source | White |
| Light emission | Long and short side of housing, exchangeable |
| Light spot size | 1.5 mm x 3.5 mm |
| Light spot direction | Vertical ²⁾ |
| Supply voltage lamp | 4,5 V ± 10% |
| Power consumption lamp | 840 mA |
| Function | Light/dark switching |

¹⁾ From front edge of lens.

²⁾ In relation to long side of housing.

Mechanics/electronics

| | |
|--|--|
| Supply voltage | 10 V DC ... 30 V DC |
| Ripple | ≤ 5 V _{pp} |
| Power consumption | < 50 mA ¹⁾ |
| Switching frequency | 10 kHz ²⁾ |
| Response time | > 50 μs ³⁾ |
| Switching output (voltage) | NPN: HIGH = approx. V _S / LOW ≤ 2 V |
| Output current I_{max.} | 200 mA |
| Connection type | 2 m |

¹⁾ Without load.

²⁾ With light/dark ratio 1:1.

³⁾ Signal transit time with resistive load.

⁴⁾ Reference voltage DC 50 V.

| | |
|---------------------------|--|
| Protection class | II ⁴⁾ |
| Circuit protection | U _V connections, reverse polarity protected Output Q short-circuit protected Interference pulse suppression |
| Enclosure rating | IP67 |
| Housing material | Zinc diecast |

- 1) Without load.
- 2) With light/dark ratio 1:1.
- 3) Signal transit time with resistive load.
- 4) Reference voltage DC 50 V.

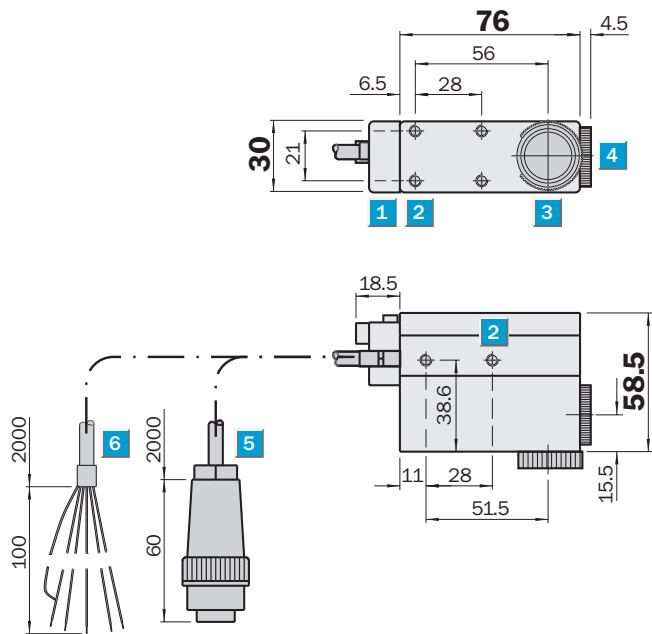
Ambient data

| | |
|--------------------------------------|------------------------|
| Ambient operating temperature | 0 °C ... +55 °C |
| Ambient storage temperature | -25 °C ... +85 °C |
| Shock load | According to IEC 60068 |

Classifications

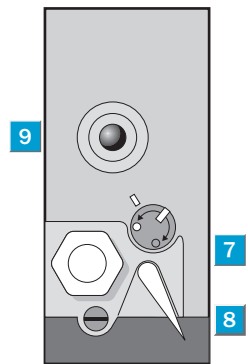
| | |
|-----------------------|----------|
| ECI@ss 5.0 | 27270906 |
| ECI@ss 5.1.4 | 27270906 |
| ECI@ss 6.0 | 27270906 |
| ECI@ss 6.2 | 27270906 |
| ECI@ss 7.0 | 27270906 |
| ECI@ss 8.0 | 27270906 |
| ECI@ss 8.1 | 27270906 |
| ECI@ss 9.0 | 27270906 |
| ETIM 5.0 | EC001820 |
| ETIM 6.0 | EC001820 |
| UNSPSC 16.0901 | 39121528 |

Dimensional drawing (Dimensions in mm (inch))



- ① Cover for adjuster
- ② M5 threaded mounting hole, 5.5 mm deep
- ③ Desiccant cartridge with inspection window, can be swapped with item 4
- ④ Lens (light transmission), can be exchanged for pos. 3
- ⑤ 2 m cable with male connector, 6-pin + PE
- ⑥ 2 m cable
- ⑦ Switching threshold adjustment
- ⑧ Changeover switch "light/dark switching"
- ⑨ Function indicator

Adjustments



- ⑦ Switching threshold adjustment
- ⑧ Changeover switch "light/dark switching"
- ⑨ Function indicator

SICK AT A GLANCE

SICK is one of the leading manufacturers of intelligent sensors and sensor solutions for industrial applications. A unique range of products and services creates the perfect basis for controlling processes securely and efficiently, protecting individuals from accidents and preventing damage to the environment.

We have extensive experience in a wide range of industries and understand their processes and requirements. With intelligent sensors, we can deliver exactly what our customers need. In application centers in Europe, Asia and North America, system solutions are tested and optimized in accordance with customer specifications. All this makes us a reliable supplier and development partner.

Comprehensive services complete our offering: SICK LifeTime Services provide support throughout the machine life cycle and ensure safety and productivity.

For us, that is “Sensor Intelligence.”

WORLDWIDE PRESENCE:

Contacts and other locations –www.sick.com