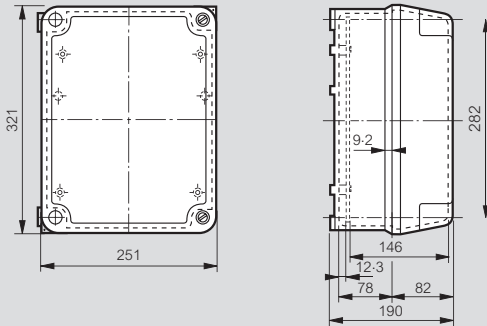


## Plexo weatherproof boxes

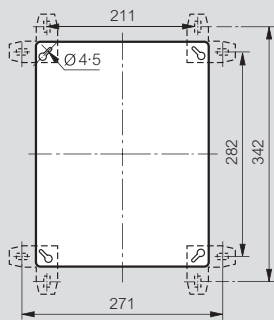
increased depth PVC range (continued)

### ■ Dimensions (mm)

Cat. No. 0922 84

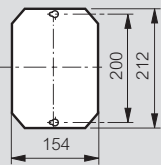


Fixing dimensions

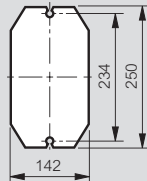


### ■ Mounting plates for PVC boxes

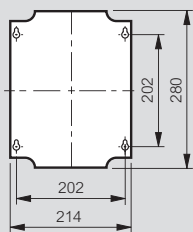
Cat. No. 0350 90



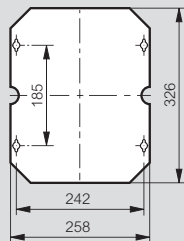
Cat. No. 0350 92



Cat. No. 0350 93



Cat. No. 0350 94



## Nylbloc™ terminal strips



Pack	Cat. Nos.	Nylbloc terminal strips			
		According to EN 60998-2-1, the rated insulation voltage of Nylbloc terminal strips is 250 V			
		They may be used under 400 V nominal voltage supply when integrated in equipment designed according to EN 60664-1 with pollution degree 2 and overvoltage category III			
		12 way strips with captive screws			
		Supplied with screws undone			
		Flame retardent polypropylene (-25 °C to +100 °C)			
		Ambient temperature from -25 °C to +55 °C			
		Rated capacity (mm <sup>2</sup> )	Diameter Ø	Current max. (A)	Dimensions (mm)
	Black				
10	0342 11	2.5	2.5	24	15.6 x 94 x 12.3
10	0342 13	6	3.5	41	18 x 107 x 14.7
10	0342 15	10	4.5	57	20.8 x 136 x 17.4
10	0342 17	16	5.5	76	24.2 x 157 x 22.6
10	0342 19	25	7	101	33.2 x 214 x 27.8
	White				
10	0342 21	2.5	2.5	24	15.6 x 94 x 12.3
10	0342 23	6	3.5	41	18 x 107 x 14.7
10	0342 25	10	4.5	57	20.8 x 136 x 17.4
10	0342 27	16	5.5	76	24.2 x 157 x 22.6



Plexo weatherproof boxes p. 36-40



## distribution terminal blocks



Conform to standard IEC 60998-2-1  
 Supplied ready for use (screws captive and backed-off)  
 100 A max. - 400 V $\sim$  with 25 mm<sup>2</sup> incoming  
 80 A max. - 400 V $\sim$  with 16 mm<sup>2</sup> incoming  
 lpk (kA) 60 : lcw (kA) 3-5

Pack	Cat. Nos.	Unshrouded terminal blocks		
		Fix using M4 dia. screw		
		Incoming capacity	Outgoing capacity	Terminal length (mm)
10	0048 01	1 x 6 to 25 mm <sup>2</sup>	4 x 1.5 to 16 mm <sup>2</sup>	45
10	0048 03	1 x 6 to 25 mm <sup>2</sup>	8 x 1.5 to 16 mm <sup>2</sup>	73
10	0048 05	1 x 6 to 25 mm <sup>2</sup>	14 x 1.5 to 16 mm <sup>2</sup>	122
10	0048 06	1 x 6 to 25 mm <sup>2</sup>	19 x 1.5 to 16 mm <sup>2</sup>	157
10	0048 07	1 x 6 to 25 mm <sup>2</sup>	24 x 1.5 to 16 mm <sup>2</sup>	192

		Fully shrouded terminal blocks		
		<b>Terminal blocks on support</b>		
		Mounting on  or  rail with universal terminal rail support Cat. No. 0048 11 or on 12 x 2 mm rail		
		Supplied with Duplix markers <sup>1</sup>		
		Incoming capacity	Outgoing capacity	Terminal length (mm)
10	0048 20 <sup>1</sup>	-	4 x 1.5 to 16 mm <sup>2</sup>	47
10	0048 22 <sup>1</sup>	-	8 x 1.5 to 16 mm <sup>2</sup>	75
10	0048 24 <sup>1</sup>	1 x 6 to 25 mm <sup>2</sup>	12 x 1.5 to 16 mm <sup>2</sup>	113
10	0048 25 <sup>1</sup>	1 x 6 to 25 mm <sup>2</sup>	16 x 1.5 to 16 mm <sup>2</sup>	141

		IP 2X terminal blocks on support		
		For fixing to 12 x 2 mm rail		
		Incoming capacity	Outgoing capacity	Terminal length (mm)
10	Phase (black) 0048 50	-	4 x 1.5 to 16 mm <sup>2</sup>	47
10	0048 52	-	8 x 1.5 to 16 mm <sup>2</sup>	75
10	0048 54	1 x 6 to 25 mm <sup>2</sup>	12 x 1.5 to 16 mm <sup>2</sup>	113
10	0048 55	1 x 6 to 25 mm <sup>2</sup>	16 x 1.5 to 16 mm <sup>2</sup>	141
10	0048 56	1 x 6 to 25 mm <sup>2</sup>	21 x 1.5 to 16 mm <sup>2</sup>	176
10	0048 58	2 x 6 to 25 mm <sup>2</sup>	33 x 1.5 to 16 mm <sup>2</sup>	276
		Earth (green)		
10	0048 30	-	4 x 1.5 to 16 mm <sup>2</sup>	47
10	0048 32	-	8 x 1.5 to 16 mm <sup>2</sup>	75
10	0048 34	1 x 6 to 25 mm <sup>2</sup>	12 x 1.5 to 16 mm <sup>2</sup>	113
10	0048 35	1 x 6 to 25 mm <sup>2</sup>	16 x 1.5 to 16 mm <sup>2</sup>	141
10	0048 36	1 x 6 to 25 mm <sup>2</sup>	21 x 1.5 to 16 mm <sup>2</sup>	176
10	0048 38	2 x 6 to 25 mm <sup>2</sup>	33 x 1.5 to 16 mm <sup>2</sup>	276

		Supports for terminal blocks	
		<b>Terminal side support</b>	
1	0048 10	Consists of two side supports for positioning of up to 4 x IP 2X terminal blocks with the same dimensions to create a 2, 3 or 4 pole distribution block	
		<b>Terminal rail support</b>	
5	0048 11	Adaptor support for  or  rail. Provides a firm fixing allowing IP 2X terminal blocks to be side or top mounted on to adaptor	
		<b>35 hole empty support</b>	
5	0048 17	For screw terminal blocks Length : 276 mm	
		<b>Rail</b>	
10	0048 19	1 metre length of 12 x 2 mm terminal mounting rail - accepts partly and fully shrouded terminals	

**■ Connection protection**

Fixes into side supports to construct a distribution block

**■ Use of terminal supports Cat. No. 0048 10**

Terminal supports Cat. No. 0048 10 fitted with fully shrouded terminals providing custom made distribution

Adaptor support Cat. No. 0048 11 showing method of fixing terminals

---

**+++ Plexo weatherproof boxes p. 36-40**

<sup>1</sup> : Each terminal supplied with :  
 - 2 green Duplix markers (+) - 2 blue Duplix markers (N) - 2 red Duplix markers (L)

Download the full file at

<http://assets.kempstoncontrols.com/doc/Legrand%20Industrial%20and%20power%20protection%20catalogue.pdf>



**KEMPSTON**  
CONTROLS