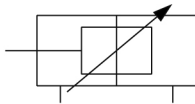




CP96S(D), ISO 15552 Cylinder, Double Acting, Single/Double Rod with Air cushion on both ends and Bumper cushion CP96SDB63-200C

Data Sheet

- CP96-C, ISO 15552 Cylinder, Double Acting, Single/Double Rod with Air Cushion and bumper.
- New types added: double rod, non-rotating and with lock unit.
- Rod boot option added for the standard type.
- Integrated function of the air cushion and the bumper.
- Bore sizes (mm): 32 ~ 125.
- Strokes up to 2000 mm.
- Weight reduced by up to 15% thanks to the new the design of the cover and the piston.
- Many made to order available.

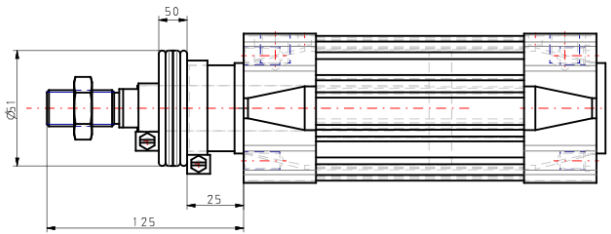
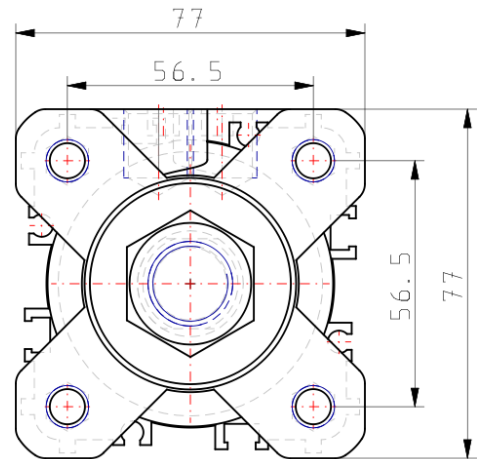
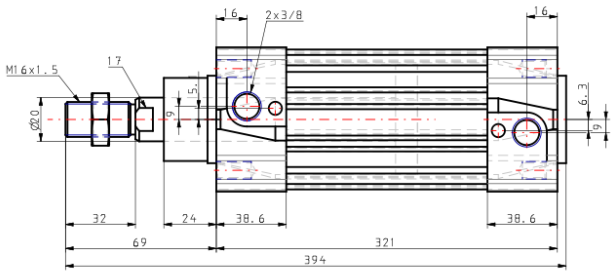


*Double-acting cylinder with cushioning
adjustable at both ends, single piston rod*

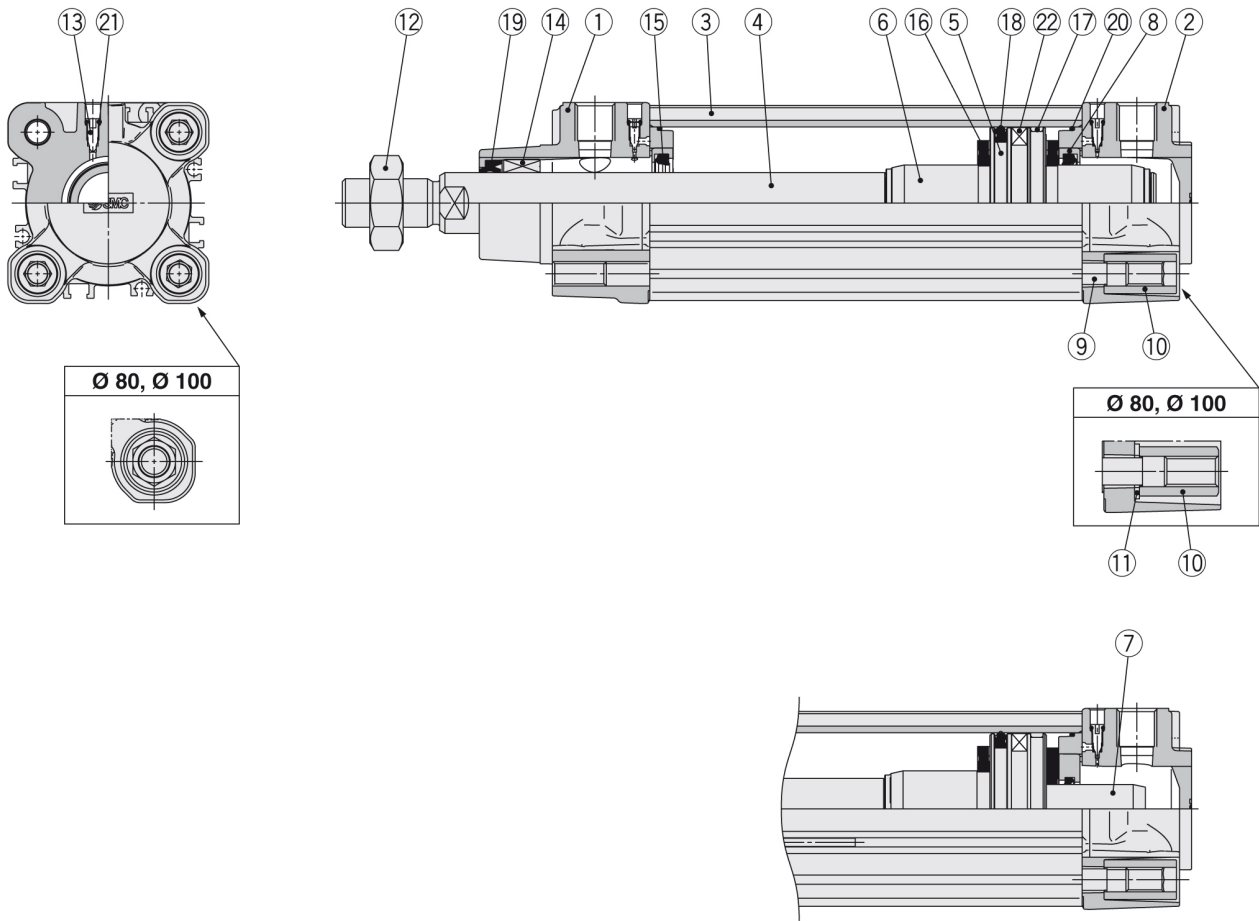
Standard Specifications

Magnet	Built-in Magnet
Mounting	Basic
Bore Size	63mm
Stroke	200 mm
Rod Boot	w/o Rod Boot
Rod	Single Rod
Auto Switch	No Switch
Lead Wire or Prewired Connector	Or None in the Case of No Switch
Number	Or None in the Case of No Switch
Pressure medium	Compressed air
Maximum temperature of pressure medium with magnet	60 °C
Minimum temperature of pressure medium with magnet	-10 °C (no freezing)
Maximum operating pressure	1.0 MPa
Minimum operating pressure	0.05 MPa
Proof pressure	1.5 MPa
Maximum ambient temperature with magnet	60 °C
Minimum ambient temperature with magnet	-10 °C (no freezing)
Number of pneumatic connections	2 pcs.
Pneumatic input connection	G 3/8
Pneumatic exhaust connection	G 3/8
Mode of operation of drive	Double acting
Theoretical cylinder force, advance stroke (at 0.5 MPa)	1559 N
Theoretical cylinder force, return stroke (at 0.5 MPa)	1402 N
Maximum piston speed	1,000 mm/s
Piston rod end	Male thread
Male thread of rod end	M16 x 1.5
Tolerance of torsion	Air cushion on both ends + Bumper cushion
Weight	2.760 kg

Dimensions



Constructions



Component Parts

No.	Description	Material	Note
1	Rod cover	Aluminium die-cast	
2	Head cover	Aluminium die-cast	
3	Cylinder tube	Aluminium alloy	
4	Piston rod	Carbon steel	
5	Piston	Aluminium alloy	Ø 32 to Ø 63
		Aluminium die-cast	Ø 80, Ø 100
6	Cushion ring A	Aluminium alloy	
7	Cushion ring B	Aluminium alloy	
8	Cushion seal holder	Aluminium alloy	
9	Tie-rod	Carbon steel	
10	Tie-rod nut	Steel	
11	Flat washer	Steel	Ø 80, Ø 100
12	Rod end nut	Steel	
13	Cushion valve	Resin	
14	Bushing	Bearing alloy	
15	Cushion seal	Urethane	
16	Bumper	Urethane	
17	Wear ring	Resin	
18	Piston seal	NBR	
19	Rod seal	NBR	
20	Cylinder tube gasket	NBR	
21	Cushion valve seal	NBR	
22	Magnet		

Replacement Parts/Seal Kit (Single rod)

Bore size [mm]	Kit no.	Contents
32	CS95-32	Kits include items 15, 17 to 20.
40	CS95-40	
50	CS95-50	
63	CS95-63	
80	CS95-80	
100	CS96-100	

Seal Kit (Double rod)

Bore size [mm]	Kit no.	Contents
32	CS95W-32	Kits include items 15, 18 to 20.
40	CS95W-40	
50	CS95W-50	
63	CS95W-63	
80	CS95W-80	
100	CS96W-100	

Additional information

Catalogue

[CP96-Bb_EU.pdf](#)

Related Products



D-M9BWL

M9NW/M9PW/M9BW, 2 Colour Indication Style Solid State Switch, Direct Mounting, Grommet, In-line



D-M9BWL

M9NW/M9PW/M9BW, 2 Colour Indication Style Solid State Switch, Direct Mounting, Grommet, In-line



D-M9PWSAPC

D-**PC, Pre-wired Connector Auto Switch



D-A93L

A90/A93/A96, Reed Switch, Direct Mounting, Grommet, In-line



AS3201F-03-10SA

AS*2/3*1F-A, Speed Controller with One-touch Fitting, Push Lock, Elbow/Universal Type



AS3301F-03-10SA

AS*2/3*1F-A, Speed Controller with One-touch Fitting, Push Lock, Elbow/Universal Type



ASD530F-03-10S

ASD-T, Tamper Proof Dual Speed Controller



AS3002F-10

AS*2F, Speed Controller, One-touch Fitting, In-line, Compact



JA50-16-150

JA, Floating Joint, Standard



ASR530F-03-10S

ASR*30/ASQ*30, Air Saving Valve (PFC/QFC Valve), Metric



ASQ530F-03-10S

ASR*30/ASQ*30, Air Saving Valve (PFC/QFC Valve), Metric



KQ2H10-G03AS

KQ2H, One-touch Fitting White Color - Male Connector



TU1065B-20

TU, Polyurethane Tubing, Metric Size



SY

SY3000/5000/7000, Subplate for Single Unit New SY, IP67 Compliant



D-M9BWL

M9NW/M9PW/M9BW, 2 Colour Indication Style Solid State Switch, Direct Mounting, Grommet, In-line


D-M9BWL

M9NW/M9PW/M9BW, 2 Colour Indication Style Solid State Switch, Direct Mounting, Grommet, In-line


D-M9PWSAPC

D-**PC, Pre-wired Connector Auto Switch


D-A93L

A90/A93/A96, Reed Switch, Direct Mounting, Grommet, In-line


AS3201F-03-10SA

AS*2/3*1F-A, Speed Controller with One-touch Fitting, Push Lock, Elbow/Universal Type


AS3301F-03-10SA

AS*2/3*1F-A, Speed Controller with One-touch Fitting, Push Lock, Elbow/Universal Type


ASD530F-03-10S

ASD-T, Tamper Proof Dual Speed Controller


AS3002F-10

AS*2F, Speed Controller, One-touch Fitting, In-line, Compact


JA50-16-150

JA, Floating Joint, Standard


ASR530F-03-10S

ASR*30/ASQ*30, Air Saving Valve (PFC/QFC Valve), Metric


ASQ530F-03-10S

ASR*30/ASQ*30, Air Saving Valve (PFC/QFC Valve), Metric


KQ2H10-G03AS

KQ2H, One-touch Fitting White Color - Male Connector


TU1065B-20

TU, Polyurethane Tubing, Metric Size


SY

SY3000/5000/7000, Subplate for Single Unit New SY, IP67 Compliant