

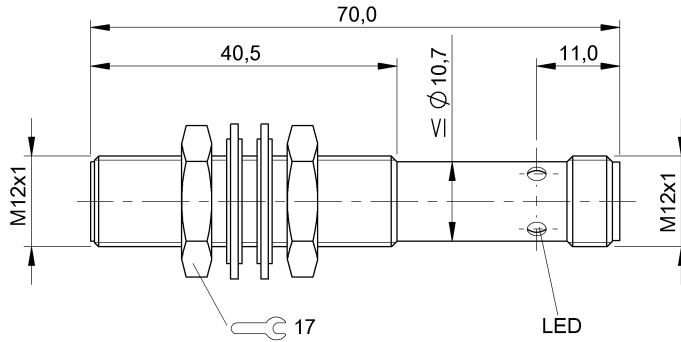
BES 516-325-S4-C
Order code: BES01C8

Inductive sensor

M12x1 x 70,0 mm

DC, direct current
 PNP / Normally open (NO)
 Sn = 2,00 mm
 Flush (shielded)

BALLUFF
 sensors worldwide



Sensing data

Eff. operating distance Sr	2,00 mm
Tolerance Sr	±10 %
Assured operating distance Sa	1,60 mm
Hysteresis H max. (in % of Sr)	15,0 %
Repeat accur. R max. (% of Sr)	5,0 %
Ambient temperature Ta min.	-40 °C
Ambient temperature Ta max.	85 °C
Temp. drift max. (% of Sr)	10%
Switching freq. f max. (at Ue)	3.000 Hz
Ready delay tv max.	30 ms
Utilization category	DC 13
Function indicator	Yes
Power indicator	No

Electrical data

Eff. operating voltage Ue DC	24,0 V
Operating voltage UB min. DC	10,0 V
Operating voltage UB max. DC	30,0 V
Ripple max. (% of Ue)	15 %
Voltage drop static max.	2,0 V
Rated insulation voltage Ui	250 AC
Eff. operating current Ie	200 mA
Minimum operating current Im	0 mA
No-load current Io damped max.	8,0 mA
Max. no-load cur. Io undamped	2,5 mA
Off-state current Ir max.	10 µA
Short circuit protected	Yes
Protected against miswiring	Yes
Polarity reversal protected	Yes

Rated short circuit current	100 A
Output resistance Ra	33,0k + D
Load capacitance max. (at Ue)	0,500 µF

Mechanical data

Housing material	Stainless steel
Tightening torque	20 Nm
Sensing face material	PA 12
Mounting length	40,5 mm
Connection type	Connector
Connector type	M12x1-S04
Recommended connector	BKS-B 19
	BKS-B 20
Enclosure Type per IEC 60529	IP68 according to BWN PR 20
Protection Class	II
Shock rating	Shock, half-sinus, 30 gn, 11ms
Vibration rating	55 Hz, 1 mm ampl., 3x30 min
Degree of contamination	3

Approval

Approvals / Conformity	CE
	cULus

Remarks

The sensor is functional again after the overload has been eliminated.
 With connector, e.g. BKS-S 20-... total length = switch length +19 mm.
 Basic standard IEC 60947-5-2

000000111880/118892/20100804



Definitions see general catalog

Internet : www.balluff.com
 Balluff Germany : +49 (0) 7158 173-0, 173-370
 Balluff USA : 1-800-543-8390
 Balluff China : +86 (0) 21-50 644131

1 (2)
 Print Date: 06.03.2012
 Selection date: 06.03.2012

BES 516-325-S4-C
Order code: BES01C8

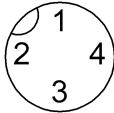
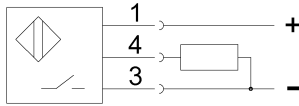
Inductive sensor

M12x1 x 70,0 mm

DC, direct current
PNP / Normally open (NO)
Sn = 2,00 mm
Flush (shielded)

BALLUFF
sensors worldwide

Subject to change without notice.



000000111880/118892/20100804