

Datasheet - AZ 3350-12ZUEK

Safety switch with separate actuator / AZ 3350



- Metal enclosure
- Latching handle
- Long life
- 40,5 mm x 114 mm x 38 mm
- High level of contact reliability with low voltages and currents
- 1 Cable entry M 20 x 1.5

(Minor differences between the printed image and the original product may exist!)

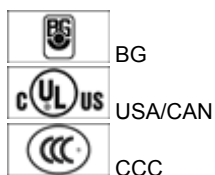
Ordering details

Product type description	AZ 3350-12ZUEK
Article number	101214053
EAN code	4030661397580

To order, first choose the desired safety switch and then the door handle system

Approval

Approval



Classification

Standards	EN ISO 13849-1
B _{10d} Normally-closed contact (NC)	2.000.000
B _{10d} Normally open contact (NO)	1.000.000
- notice	at 10% I _e and ohmic load
Mission time	20 Years
notice	

$$MTTF_d = \frac{B_{10d}}{0,1 \times n_{op}}$$

$$n_{op} = \frac{d_{op} \times h_{op} \times 3600 \text{ s/h}}{t_{cycle}}$$

Global Properties

Product name	AZ 3350
Standards	EN 60947-5-1, BG-GS-ET-15, EN 1088
Materials	
- Material of the housings	Aluminium
- Material of the contacts	Silver
Housing coating	painted
Weight	250 g
Recommended actuator	AZ 3350-B1, AZ 3350-B5, AZ 3350-B1R, AZ 3350-B5R, AZ 3350-B6, AZ 3350-B6H

Mechanical data

Design of electrical connection	Screw connection
Cable section	
- Min. Cable section	0,75 mm ²
- Max. Cable section	2.5 mm ²
Mechanical life	1.000.000 operations
higher Latching force (Y/N)	No
Shearing force	15.000 N
Positive break force	5 N for each NC contact fitted
positive break travel	10.7 mm
Door hinge	left
notice	All indications about the cable section are including the conductor ferrules.

Ambient conditions

Ambient temperature	
- Min. environmental temperature	-30 °C
- Max. environmental temperature	+90 °C
Protection class	IP67 to IEC/EN 60529

Electrical data

Design of control element	Normally open contact (NO), Opener (NC)
Switching principle	Slow action with overlapping contacts
Number of auxiliary contacts	1 piece
Number of safety contacts	2 piece
Rated impulse withstand voltage U_{imp}	4 kV
Rated insulation voltage U_i	250 V
Thermal test current I_{the}	10 A
Utilisation category	AC-15: 230 V / 4 A, DC-13: 24 V / 4 A
Max. fuse rating	6 A gG D-fuse

ATEX

Explosion protection categories for gases	None
Explosion protected category for dusts	None

Dimensions

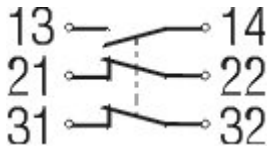
Dimensions of the sensor

- Width of sensor	40.5 mm
- Height of sensor	114 mm
- Length of sensor	38 mm

Included in delivery

Mounting plate for safety switch
 Actuator incl. mounting plate
 emergency handle

Diagram



Note Diagram

- positive break NC contact
- active
- no active
- Normally-open contact
- Normally-closed contact

Ordering suffix

The applicable ordering suffix is added at the end of the part number of the safety switch.
 Order example: AZ 3350-12ZUEK-**1637**

...- 1637	0,3 µm gold-plated contacts
------------------	-----------------------------

Ordering code

AZ 3350-(1)-(2)-(3)

(1)

03ZK

3 Opener (NC)

12ZUEK

1 Normally open contact (NO) / 2 Opener (NC)

(2)

1637

gold-plated contacts

(3)

U90

Actuating head rotated by 90° for Door hinge left

U270

Actuating head rotated by 270° for Door hinge right

Documents

Operating instructions and Declaration of conformity (pt) 391 kB, 19.01.2012

Code: mrl_az3350_pt

Operating instructions and Declaration of conformity (da) 389 kB, 26.01.2012

Code: mrl_az3350_da

Operating instructions and Declaration of conformity (pl) 390 kB, 11.01.2012

Code: mrl_az3350_pl

Operating instructions and Declaration of conformity (en) 894 kB, 02.11.2010

Code: mrl_az3350_en

Operating instructions and Declaration of conformity (nl) 558 kB, 18.08.2011

Code: mrl_az3350_nl

Operating instructions and Declaration of conformity (it) 770 kB, 22.09.2011

Code: mrl_az3350_it

Operating instructions and Declaration of conformity (de) 475 kB, 18.02.2011

Code: mrl_az3350_de

Operating instructions and Declaration of conformity (fr) 811 kB, 14.12.2010

Code: mrl_az3350_fr

Operating instructions and Declaration of conformity (es) 563 kB, 02.05.2011

Code: mrl_az3350_es

Operating instructions and Declaration of conformity (jp) 845 kB, 07.06.2011

Code: mrl_az3350_jp

Operating instructions and Declaration of conformity (sv) 386 kB, 22.05.2012

Code: mrl_az3350_sv

BG-test certificate (en) 269 kB, 20.04.2011

Code: z_az3p02

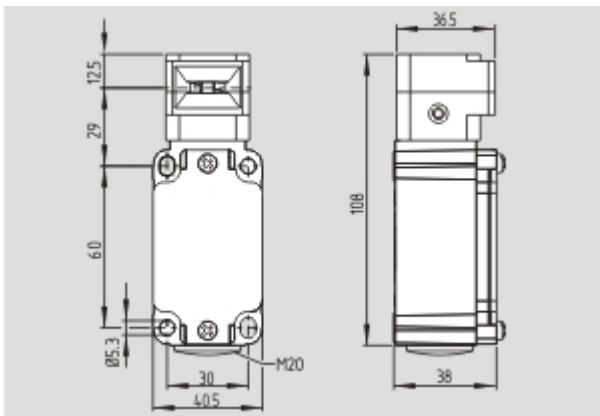
BG-test certificate (de) 274 kB, 20.04.2011

Code: z_az3p01

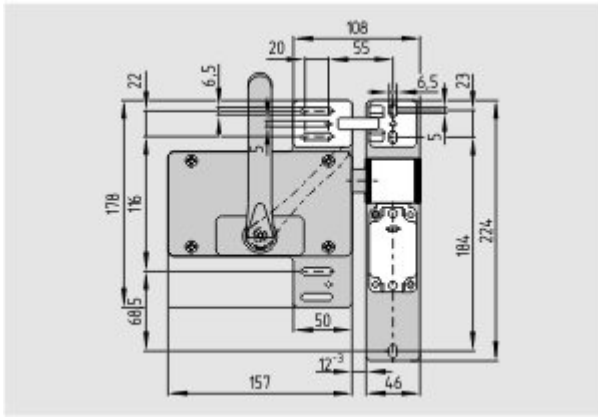
Gost certification (ru) 2 MB, 07.07.2011

Code: q_az1p01

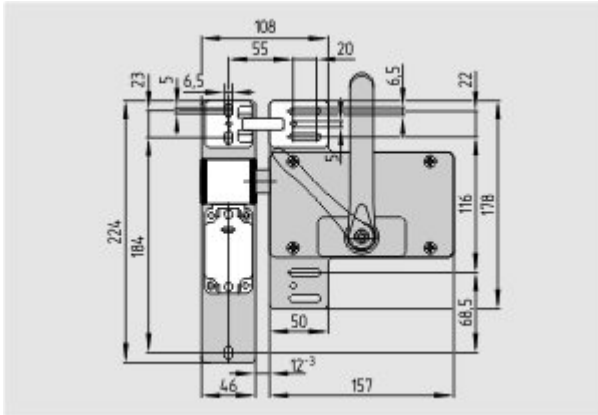
Images



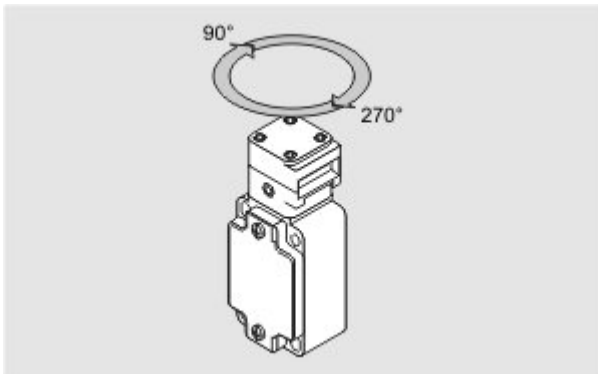
Dimensional drawing (basic component)



Dimensional drawing (miscellaneous)



Dimensional drawing (miscellaneous)



Application

System components

Actuator



101214073 - AZ 3350-B6H

- Particularly suitable for hinged guards

101214069 - AZ 3350-B6

- Particularly suitable for hinged guards



101214072 - AZ 3350-B5R

- Particularly suitable for hinged guards



101214068 - AZ 3350-B1R

- Particularly suitable for hinged guards



101214067 - AZ 3350-B5

- Particularly suitable for sliding doors



101214066 - AZ 3350-B1

- Particularly suitable for sliding doors

Door-handle system**AZ 3350-ST30**

- Latching handle

Accessories**Lockout tag SZ 415**

- Suitable for mounting inside and outside of the hazardous area
- To prevent inadvertent closing, e.g. during maintenance
- For complex plant
- Prevents actuation of the switch
- Lockout tag with 3 circular holes

Centring device

- Pre-positioning
- The actuator is independent from the centring device.
- Smooth insertion or retraction of the actuator



K.A. Schmersal GmbH, Möddinghofe 30, D-42279 Wuppertal

The data and values have been checked thoroughly. Technical modifications and errors excepted.

Generiert am 18.07.2012 - 11:56:23h Kasbase 2.2.2.F DBI

Image

Image
et=sS
e