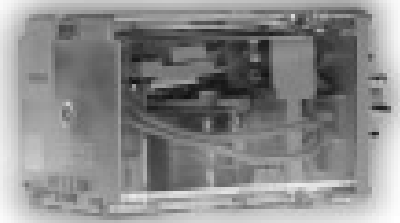


- ▶ Universal relay
- ▶ Plug-in housing
- ▶ 2 or 3 change over contacts



Technical data

1. Mechanical design

Self-extinguishing plastic housing, IP rating IP40
 Mounting position: any
 Weight: 83g

2. Coil

AC-version:

Type	Rated voltage AC
RT 1.2.012L	12V
RT 1.2.024L	24V
RT 1.2.110L	110V
RT 1.2.230L	230V
RT 1.3.024L; RT 1.3.024.02L	24V
RT 1.3.048L	48V
RT 1.3.110L; RT 1.3.110.02L	110V
RT 1.3.230; RT 1.3.230L; RT 1.3.230.02L	230V

.2 2 change over contacts
 .3 3 change over contacts
 L LED
 LD LED and regenerative diode
 .02 gold-plated contacts

Rated consumption (50Hz): 2.5VA
 Rated frequency: 50Hz
 Must release voltage: $\geq 0.15 \times U_N$
 Tolerance: 0.8 to 1.1 x U_N

DC-Version:

Type	Rated voltage DC
RT 2.2.012L	12V
RT 2.2.024L	24V
RT 2.3.012L	12V
RT 2.3.024; RT 2.3.024L; RT 2.3.024LD; RT 2.3.024.02LD	24V
RT 2.3.48L	48V
RT 2.3.060L	60V
RT 2.3.110	110V
RT 2.3.230; RT 2.3.230.02L	230V

.2 2 change over contacts
 .3 3 change over contacts
 L LED
 LD LED and regenerative diode
 .02 gold-plated contacts

Rated consumption: 1.5W
 Must release voltage: $\geq 0.1 \times U_N$
 Tolerance: 0.8 to 1.1 x U_N

3. Contacts

Switching voltage: max. 250V AC/DC
 min. 10V AC/DC standard contacts
 min. 5V AC/DC gold-plated contacts
 Switching current: max. 10A
 min. 50mA
 Inrush current: max. 20A
 Switching capacity: 2500VA (10A / 250V AC)
 240W (10A / 24V DC)
 Resistance: $\leq 100m\Omega$ at 100mA / 24V
 Switching frequency: max. 200/min without load
 max. 20/min at rated load
 Contact material: AgNi

4. General data

Response time: AC 12ms
 DC 12ms
 Release time: AC 10ms
 DC 7ms
 Mechanical life: 20×10^6 operations
 Electrical life: 2×10^5 operations at rated load
 Vibration resistance: 5g
 Shock resistance: 10g

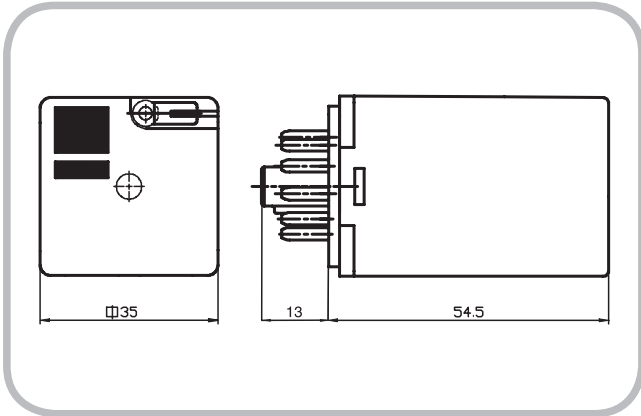
5. Insulation

Coil - contact (50Hz): 2500VAC
 Contact - contact: 1500V AC
 Pole - pole: 2000V AC
 Insulation category: C250 (according to DIN VDE 110)
 Surge voltage: 2.5kV

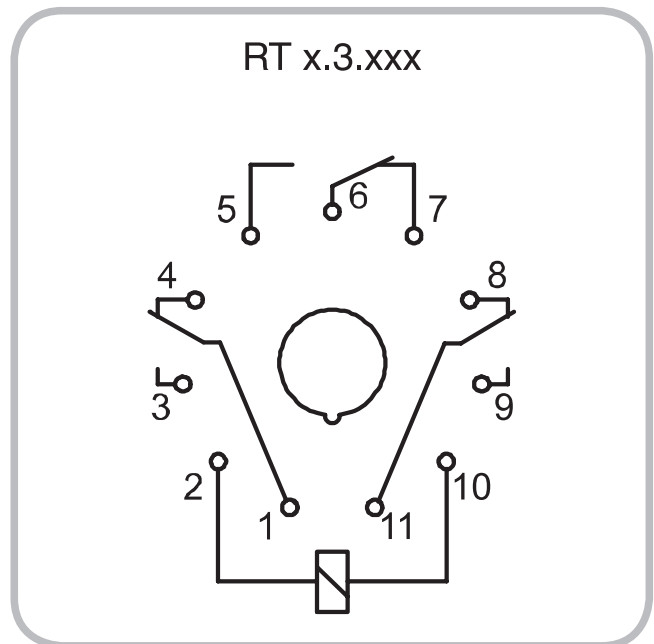
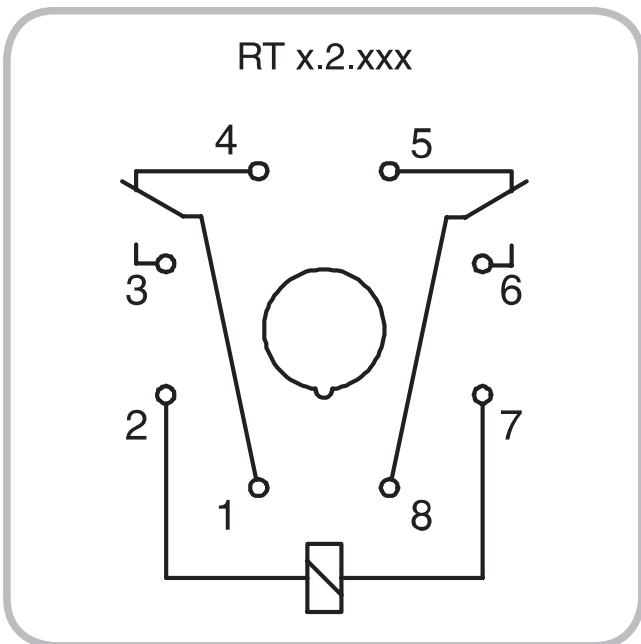
6. Ambient conditions

Ambient temperature: -40 to +70°C (according to IEC 68-1)
 Storage temperature: -40 to +85°C
 Pollution degree: 3 (according to IEC 664-1)

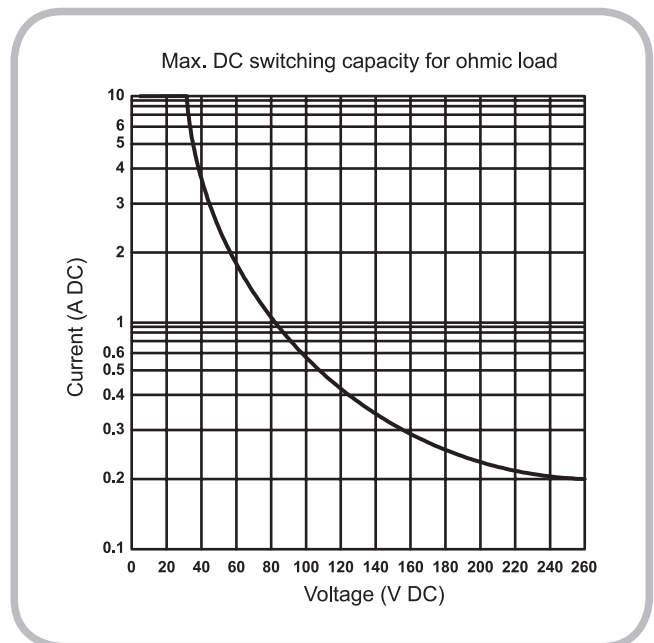
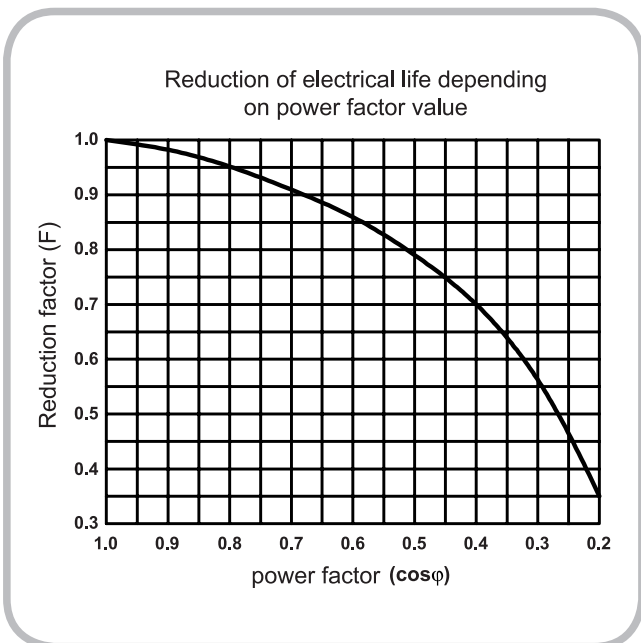
► Dimensions



► Connections



► Reduction factors



Socket and accessories


ES 8, ES 9, ES 12, R11X

1. General data

Self-extinguishing plastic housing
 Mounted on DIN-Rail according to EN 50022
 Mounting position: any
 Shockproof terminal connection according to VBG 4
 (Philips Gr.1 required), IP rating IP 20
 Initial torque: 0.8Nm
 Screw terminals:
 1 x 0.5 to 2.5mm² with/without multicore cable end
 1 x 4mm² without multicore cable end
 2 x 0.5 to 1.5mm² with/without multicore cable end
 2 x 2.5mm² flexible without multicore cable end
 Ambient temperature: -40 to +85°C
 Surge voltage: >3000V
 Approvals: UL

Type	Plug-in modules	Name plate	Retaining clip
ES 8 (TVE 8)	-	standard accessorie	HB/RT
ES 9	Type x1, COM3T		
ES 12 (TVE 12)	Type x1, COM3T		
R11X	-		

Plug-in modules type x1 (TV series)

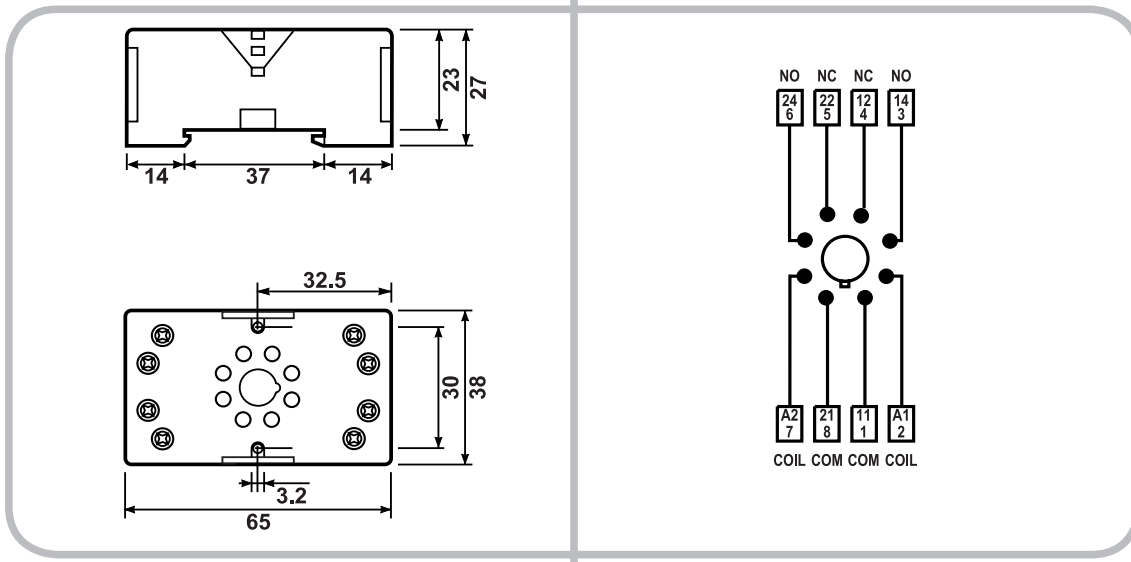
Type	Function	Height 40mm (mounted)
Typ 11 (TVD2)	Diode 6-220V DC (+A2, -A1)	
Typ 21 (TVD1)	Diode 6-220V DC (- A2, +A1)	
Typ 31 (TVL2)	LED + Diode 6-24V DC (+A2, -A1)	
Typ 41 (TVL1)	LED + Diode 6-24V DC (-A2, +A1)	
Typ 51 (TVR)	RC module 110-230V AC	
Typ 61 (TVL3)	LED 6-24V AC/DC	
Typ 71 (TVV1)	Varistor 24V AC	
Typ 81 (TVV2)	Varistor 230V AC	
Typ 91 (TVL4)	LED 110-230V AC/DC	

Plug-in module COM3TP:

In combination with COM3TP and sockets ES 9 or ES 12 every RT-relay may be used to create a timer with replaceable output stage (see also COM3T data sheet).

Dimensions

ES 8

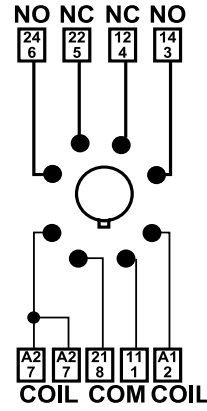
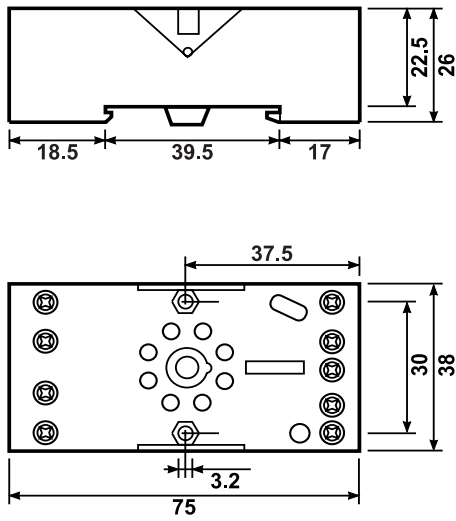


Connections

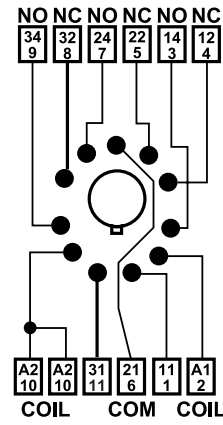
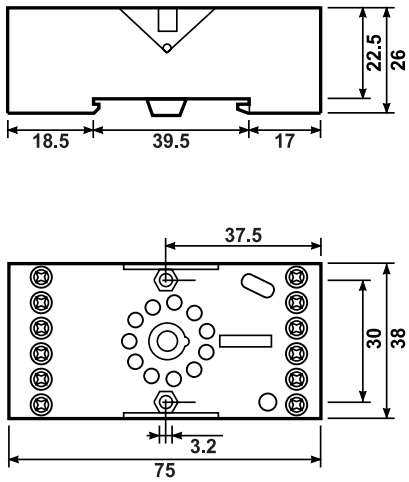
► Dimensions

► Connections

ES 9



ES 12



R11X

