
C-M12F08-07X025PV10,0-MA-100456 (ORDER NO. 100456)

Connecting cable with angled plug connector M12, 8-pin, 10 m

- ▶ M12 female plug, 8-pin
- ▶ Angled plug connector
- ▶ PVC cable
- ▶ Cable length 10 m
- ▶ With flying lead



Description

These special connecting cables are needed for the connection of the CET to a CES evaluation unit. Please take into account in the order!

Interference is prevented by special screening.

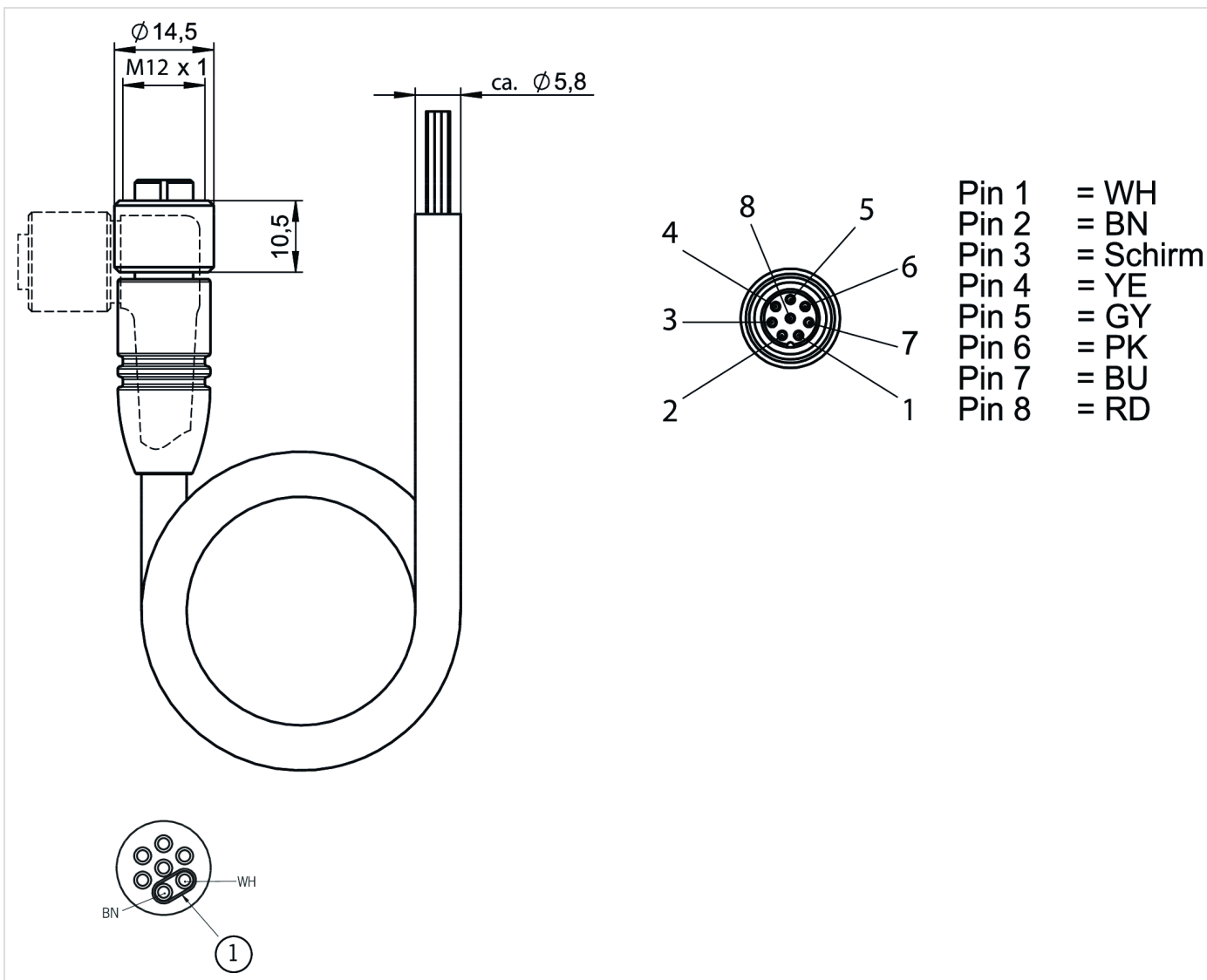
Important

Connecting cables are not allowed to be extended.

Notice

The connecting cables with PUR sheath are suitable for drag chains with a minimum bending radius of 60 mm (10 times the cable diameter).

Dimension drawings



1 Screen (pin 3 screen around WH and BN)

Technical data

Approvals




Electrical connection ratings


Degree of contamination according to EN 60664-1	3
Individual shielding	yes, shield around flexible wires BN and WH connected to pin 3, coverage approx. 85%
Nominal current	
	at 40 °C 2 A
Rated voltage	36 V
Rated voltage	30 V
Test voltage	1.5 kV


Mechanical values and environment


Cable ambient temperature (dynamic)	+5 ... +80 °C
Cable ambient temperature (static)	-40 ... +80 °C
Cable diameter	
	approx. 5.8 mm
Cable length	10 m
Cable outlet	Angle
Cable type	Straight
Conductor cross-section	0.25 mm ²
Conductor identification	Color code
Drag chain suitability	no
Material	
	Sheath PVC
	Conductor Cu
Number of conductors	7
Sheath color	black
Silicone-free	yes
Static bending radius	10 x cable diameter
	Connection 2
Conductor end	Sheath stripped
Connection	flying lead
	Connection 1
Connection	M12
Connection type	Female plug
Degree of protection	IP67
Material	
	Steckerverriegelung CuZn, vernickelt
	Steckergehäuse TPU, selbstverlöschend
Number of pins	8
Plug lock	Screw connection
Tightening torque	0.5 Nm

Contacts

 EUCHNER GmbH + Co. KG
 Kohlhammerstraße 16
 70771 Leinfelden-Echterdingen

 +49 711 7597-0

 +49 711 753316

 info(at)euchner.de