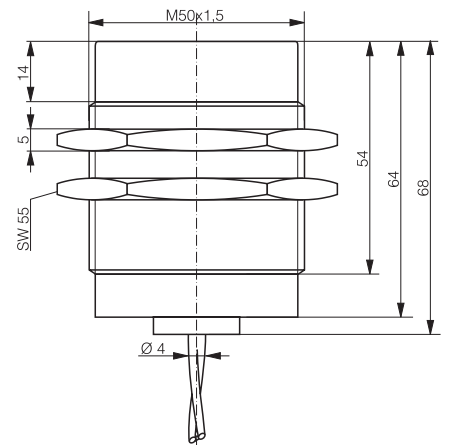
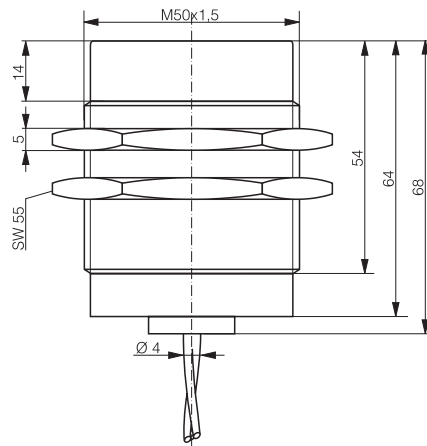
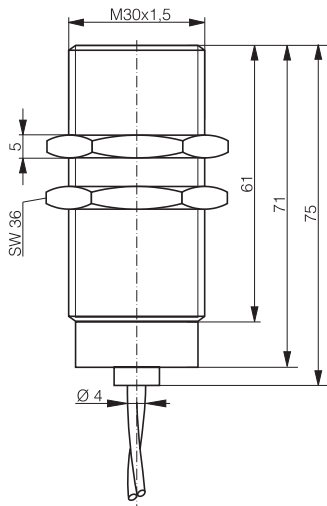


HIGH TEMPERATURE

CLASSICS	CLASSICS	CLASSICS
M30	M50	M50
10 (15)	25	25



External	External	External
Stainless steel V2A	Stainless steel V2A	Stainless steel V2A
Teflon cable 3 m	Teflon cable 5 m	Teflon cable 20 m
IP 67	IP 67	IP 67
Embeddable	Non-embeddable	Non-embeddable
200 Hz	150 Hz	150 Hz
10 ... 30 VDC (amplifier)	10 ... 30 VDC (amplifier)	10 ... 30 VDC (amplifier)
0 ... +230°C / +32 ... +440°F	-40 ... +230°C / -40 ... +440°F	0 ... +230°C / + 32 ... +440°F
≤ 200 mA (amplifier)	≤ 200 mA (amplifier)	≤ 200 mA (amplifier)
DW-HD-603-M30-411	DW-HD-613-M50-511	DW-HD-613-M50-503
DW-HD-601-M30-411		
Non-embeddable (Sn 15 mm)	For other cable lengths please ask	For other cable lengths please ask

Inductive

Photoelectric

Safety

RFID

Connectivity

Accessories

Glossary

Index