

P17 Tempra PRO

A RANGE
YOU CAN
RELY ON



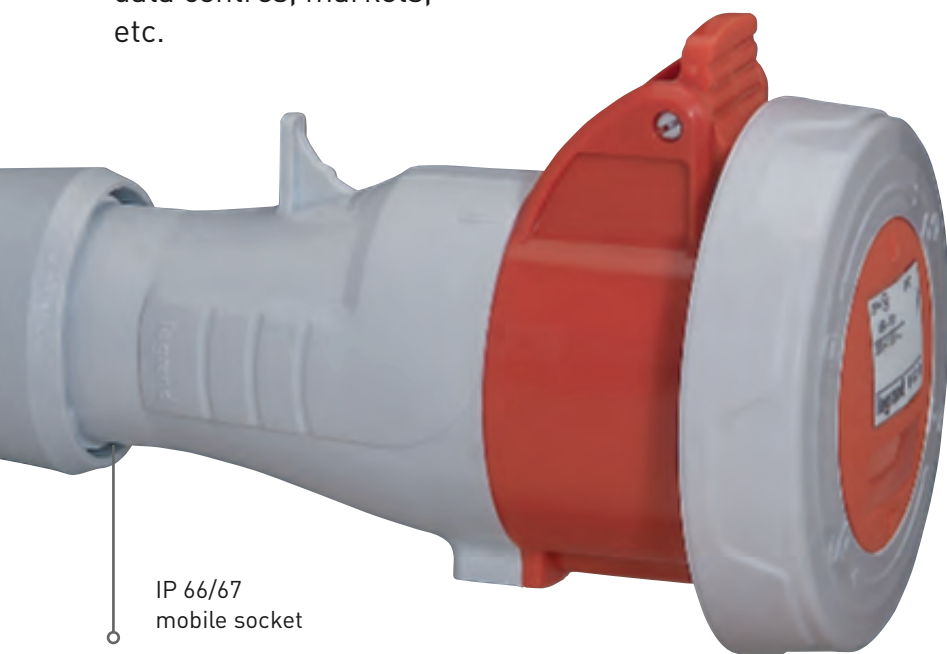
--> [CATALOGUE PAGES INSIDE](#)

GLOBAL SPECIALIST
IN ELECTRICAL AND DIGITAL BUILDING INFRASTRUCTURES

 **legrand**[®]

P17 TEMPRA PRO, suitable for all environments

The P17 Tempra Pro range incorporates numerous benefits for optimum commissioning of installations and increased user safety. More than ever before, the new range is highly recommended for all sites involving specific constraints related to waterproofness, impact resistance or temperature conditions, both indoors and outdoors: shopping centres, hospitals, office buildings, food-processing facilities, industry, transportation, data centres, markets, etc.



IP 66/67
mobile socket



FOR INSTALLATIONS INVOLVING SPECIFIC CONSTRAINTS RELATED TO WATERPROOFNESS OR TEMPERATURE CONDITIONS, BOTH INDOORS AND OUTDOORS

CONTENTS

Continuity of service.....	2
Quick implementation	4
Ease of use and safety	6
Accessories	8
Catalogue pages.....	10

P17 TEMPRA PRO, always ensuring continuity of service

By updating its IP44 and IP 66/67 range of industrial sockets, Legrand is meeting the expectations of professional users. New benefits in terms of safety, implementation, design & ergonomics guarantee the longevity of this family of products, which has already proven itself over time.



IP44

SOCKETS FOR INTERNAL AND EXTERNAL USE, PROTECTED AGAINST PROJECTIONS OF WATER (BUT NOT EXPOSED TO DIRECT JETS)



Straight plugs



Mobile sockets



Panel mounting sockets

A TRANSFORMED RANGE
WHICH HARMONISES WITH
THE LEGRAND INDUSTRIAL
SOCKETS RANGE

- From 16 to 32 A
- 2 P+ E / 3 P+E / 3 P+N+E
- From 100 to 500 V~
- 50/60 Hz
- Screw connection



AIRPORTS, DATA CENTRES, HOTELS, ETC. P17 TEMPRA PRO IS IDEAL FOR ALL MAJOR PROJECTS

IP66/67

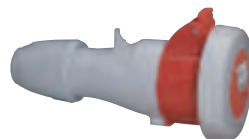
WEATHERPROOF SOCKETS THAT CAN WITHSTAND TEMPORARY IMMERSION (RAIN, FLOODS, ETC)



Surface mounting sockets



Straight plugs



Mobile sockets



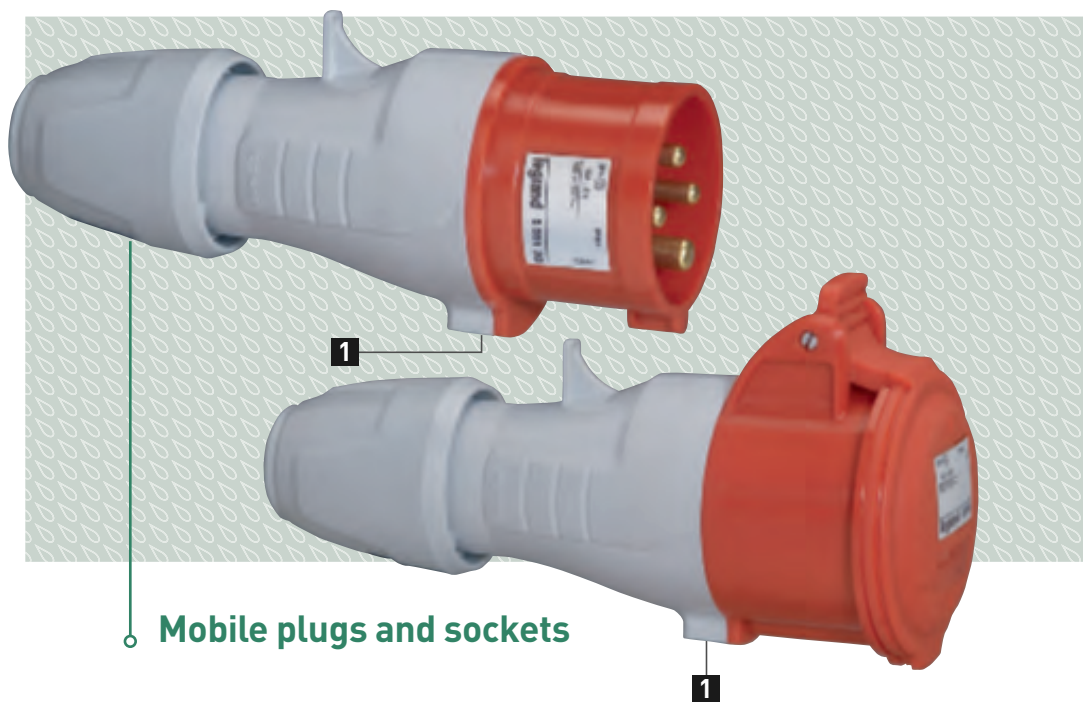
Panel mounting sockets



Surface mounting sockets

P17 TEMPRA PRO, ensuring a quick installation

As competitiveness is key to success when working on a site, the P17 Tempra Pro range offers an array of essential and intuitive benefits aimed at simplifying every movement, freeing up wiring space and ensuring quick, accurate cable connection under optimum conditions.



MOBILE PRODUCTS
ARE SUPPLIED
ASSEMBLED AND
UNLOCKED



1 QUICK OPENING/CLOSING SYSTEM

Unlocked by pressing with a screwdriver. Marking indicates the location for the locking clip.

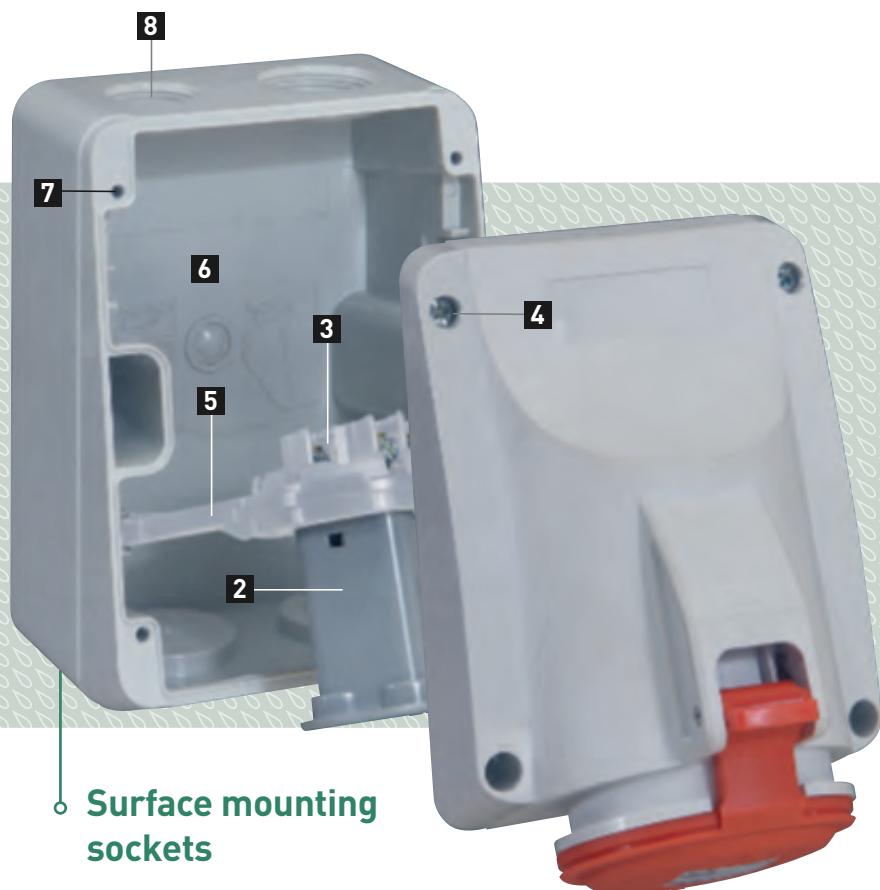


Opened by turning the 2 parts in opposite directions.



2 CABLE STRIPPING

Marking allows the user to see quickly the length of cable to be stripped. Option of using cables with ferrules.

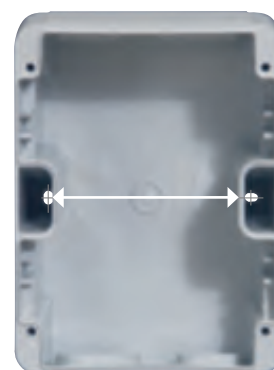


Surface mounting sockets



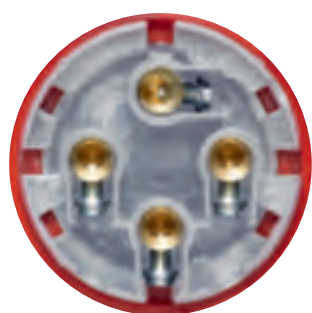
8 CABLE ENTRIES

4 threaded and sealed cable entries at the top and the bottom and marking at the back of the box for ISO cable glands or conduits.



7 EASIER MAINTENANCE

Fixing centres are identical to the old range (70 mm) for the 16 A sockets and marked at the back of the box for 32 A sockets.



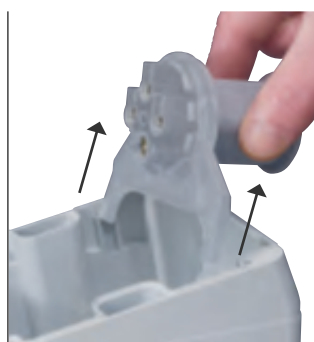
3 JUST ONE SCREW PER TERMINAL

A single captive PZ 2 screw, per connection terminal. Same type of screw for both ratings, 16 and 32 A.



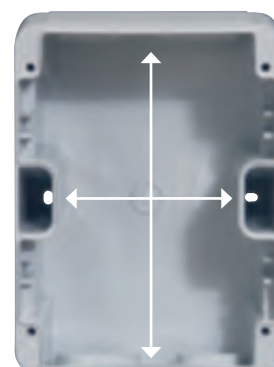
4 EASY COVER FIXING

Stainless steel captive screws with mixed head (for cross or flat screwdriver) for a good seal and anti-corrosion resistance.



5 EASY REMOVAL

The active parts of the product can be removed from the base for easier wiring and changing the socket angle.



6 EASY WIRING

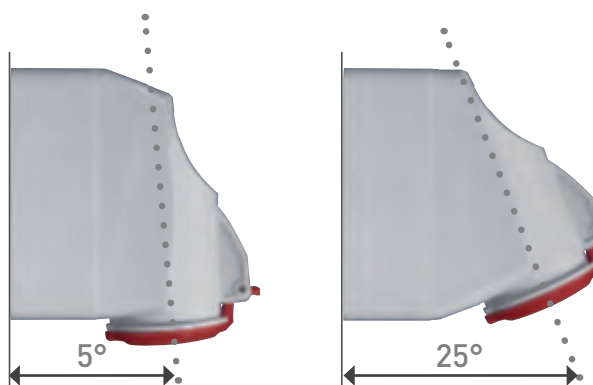
Optimum wiring area for easier connections.

P17 TEMPRA PRO, ensuring ease of use and safety

The new P17 Tempra Pro range has been subject to extensive research in terms of design and safety in order to make life safer and easier for the user. Good product gripping, compact dimensions for use in tight spaces, easier handling, etc. Compliance with standards, anti-corrosion treated materials and components, etc. A comprehensive set of solutions which comply with the standards.

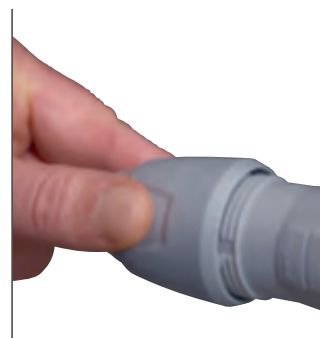


AN INNOVATIVE
DESIGN THAT
COMPLIES WITH
STANDARDS
IEC 60309-1 AND 2
AND RESPECTS THE
ENVIRONMENT



1 2 MOUNTING POSITIONS

To solve the problem of limited space, the surface mounting sockets offer 2 different mounting positions (5° or 25°) which allow users to adapt to the space available without changing the box.



2 CABLE GRIP

Captive cable grip with anti-vibration system holds the cable in place permanently.

SAFETY & THE ENVIRONMENT

SAFETY

Connection terminals compliant with standards IEC 60 309 1 & 2

Production sites certified according to ISO 14001 and ISO 9001

Very high resistance to chemical products. Plugs and sockets made of polyamide 6

Anti-corrosion treated screws, stainless steel springs for the socket covers

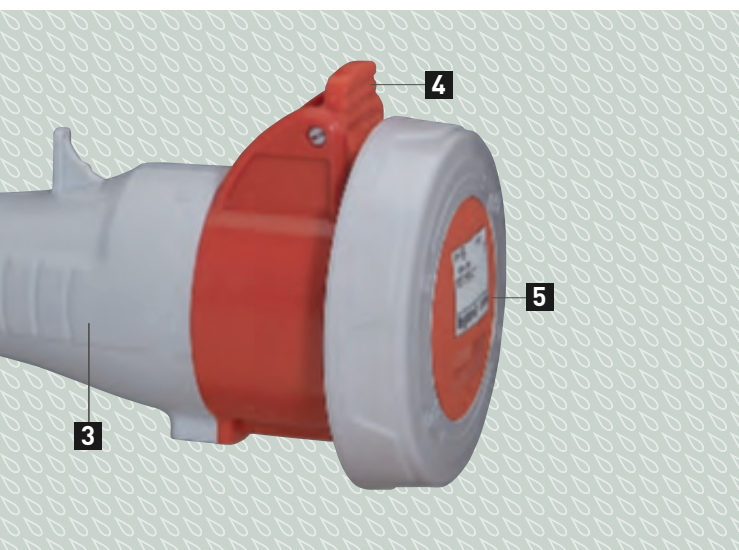
Resistant to temperatures of -25°C to +40°C

ENVIRONMENT

Halogen-free recyclable materials (silicone, PVC)

Grouped packaging in boxes

PEP products (Eco Passport)



3 EASE OF HANDLING

Gripping areas on the body of the mobile products and the cable grip.



4 OPENING LEVER

For easier connection/disconnection. Cover held open on panel sockets and surface mounting sockets.



5 POSITION MARKING

Information engraved on the ring cover of IP66/67 products means the user can check quickly whether it is in the open or closed position. Marking area on the shutter of the sockets and on the upper part of the plugs allows easy identification by the user.

P17 TEMPRA PRO,

ensuring customers get exactly what they need

The P17 Tempra Pro range is fully compatible with additional products and accessories from the Legrand industrial socket range and therefore meets the needs of all site configurations. Customised configurations are also available for solutions that are even more suited to your wide-ranging needs.



Combined units



SINGLE-SOCKET UNITS
With or without DIN rail:
16 / 32 A IP 44 et 63 A IP 66
(see page 25)



COMBINED UNITS TO BE COMPOSED
Only 16 catalogue numbers:
8 for the bases and 8 for the faceplates
(see page 22)

Domestic pin configuration panel mounting sockets



GERMAN AND FRANCO-BELGIAN STANDARD
75 x 75 mm
(see page 13)



GERMAN AND FRANCO-BELGIAN STANDARD
with small flange
50 x 50 mm
(see page 13)

A COMPREHENSIVE
RANGE OF PRODUCTS
MATCHING THE NEW
P17 TEMPRA PRO
RANGE PERFECTLY

Worksites combined units



INDIVIDUAL UNITS
Mobile units with integrated handle (see page 26)



FLOOR CABINETS
Fitted with 5, 6 or 7 sockets or in modular version (see page 26)



ENERGY DISTRIBUTION UNITS
Fitted with domestic and IEC pin configuration socket from 16 to 63 A (see page 26)

Interlocked sockets



INTERLOCKED SWITCHED SOCKETS WITH SMALL FLANGE
125 x 105 mm (see page 12)

Adaptors



IP 55
For integrating Mosaic or Artéor mechanisms (see page 13)



IEC/DOMESTIC
For connecting a 2P+E domestic-use plug to a 2P+E IEC (industrial) socket (see page 13)

IP55 flush-mounting boxes



FOR IP 44 OR IP 66/67 SOCKETS
For 1 x 16 or 32 A or domestic socket (see page 13)



FOR IP 44 OR IP 66/67 SOCKETS
For 2 x 16 A or domestic sockets (see page 13)

P 17 Tempra Pro IP 44 - LV 16 and 32 A








selection chart

Conform to IEC 60309-1 and IEC 60309-2 IP 44 according to IEC 60529 IK 09 according to IEC 62262 Material: polyamide 6 Self-extinguishing: 850 °C (support of active parts) / 650 °C (plastic housing)			FUNCTIONS							
			SURFACE MOUNTING SOCKETS	PANEL MOUNTING SOCKETS INCLINED OUTLET	PANEL MOUNTING SOCKETS STRAIGHT OUTLET	INTERLOCKED SWITCHED SOCKETS WITH SMALL FLANGE	MOBILE SOCKETS	STRAIGHT PLUGS	ANGLED PLUG	APPLIANCE INLETS
LV										
100 to 130 V \sim 50/60 Hz	16 A	2P+E	5 551 51	5 551 81	0 573 51		5 551 01	5 551 21		0 575 81 ⁽²⁾
		3P+E	5 551 52				5 551 02	5 551 22		
	32 A	2P+E	5 552 51	5 552 81			5 552 11	5 552 31		0 582 81 ⁽²⁾
200 to 250 V \sim 50/60 Hz	16 A	2P+E	5 551 54	5 551 84	0 573 54	0 573 00 ⁽¹⁾	5 551 04	5 551 24	0 564 53	0 575 84 ⁽²⁾
		3P+E	5 551 55	5 551 85			5 551 05	5 551 25		0 575 85 ⁽²⁾
		3P+N+E	5 551 56	5 551 86			5 551 06	5 551 26		0 575 86 ⁽²⁾
	32 A	2P+E	5 552 54	5 552 84	0 580 54		5 552 14	5 552 34	0 564 73	0 582 84 ⁽²⁾
		3P+E	5 552 55	5 552 85			5 552 15	5 552 35		
		3P+N+E	5 552 56	5 552 86			5 552 16	5 552 36		0 582 86 ⁽²⁾
380 to 415 V \sim 50/60 Hz	16 A	2P+E	5 551 57				5 551 07	5 551 27		
		3P+E	5 551 58	5 551 88	0 573 58	0 573 01 ⁽¹⁾	5 551 08	5 551 28	0 564 57	0 575 88 ⁽²⁾
		3P+N+E	5 551 59	5 551 89	0 573 59	0 573 02 ⁽¹⁾	5 551 09	5 551 29	0 564 58	0 575 89 ⁽²⁾
	32 A	2P+E	5 552 57				5 552 17	5 552 37		
		3P+E	5 552 58	5 552 88	0 580 58		5 552 18	5 552 38	0 564 77	0 582 88 ⁽²⁾
		3P+N+E	5 552 59	5 552 89	0 580 59		5 552 19	5 552 39	0 564 78	0 582 89 ⁽²⁾
440 to 460 V \sim 50/60 Hz	16 A	3P+E	5 551 60	5 551 90			5 551 10	5 551 30		
	32 A	3P+E	5 552 60	5 552 90			5 552 20	5 552 40		
480 to 500 V \sim 50/60 Hz	16 A	3P+E	5 551 62	5 551 92			5 551 12	5 551 32		
		3P+N+E	5 551 63	5 551 93			5 551 13	5 551 33		
	32 A	3P+E	5 552 62	5 552 92			5 552 22	5 552 42		
		3P+N+E	5 552 63	5 552 93			5 552 23	5 552 43		

1: Can be fitted only on faceplate Cat.No 0 577 23 (p. 22) - 2: Protection covers not supplied (p. 12)

P 17 Tempra Pro IP 66/67 - LV 16, 32, 63 and 125 A

selection chart

Conform to IEC 60309-1 and IEC 60309-2 IP 44 according to IEC 60529 IK 09 according to IEC 62262 Material: polyamide 6 Self-extinguishing: 850 °C (support of active parts) / 650 °C (plastic housing)			FUNCTIONS						
			SURFACE MOUNTING SOCKETS	PANEL MOUNTING SOCKETS	INTERLOCKED SWITCHED SOCKETS WITH SMALL FLANGE	MOBILE SOCKETS	STRAIGHT PLUGS	ANGLED PLUG	APPLIANCE INLETS
LV									
100 to 130 V \sim 50/60 Hz	16 A	2P+E	5 553 51	5 553 81		5 553 01	5 553 21		0 568 00
	32 A	2P+E	5 554 51	5 554 81			5 554 31		
200 to 250 V \sim 50/60 Hz	16 A	2P+E	5 553 54	5 553 84	0 573 20 ⁽¹⁾⁽²⁾	5 553 04	5 553 24	0 565 03	0 568 03
		3P+E	5 553 55	5 553 85		5 553 05	5 553 25		0 568 04
		3P+N+E	5 553 56	5 553 86		5 553 06	5 553 26		
	32 A	2P+E	5 554 54	5 554 84		5 554 14	5 554 34	0 565 23	0 568 23
		3P+E	5 554 55	5 554 85		5 554 15	5 554 35		
		3P+N+E	5 554 56	5 554 86		5 554 16	5 554 36		
	63 A	2P+E	0 587 40	0 587 20		0 587 10	0 587 00		0 587 30
		3P+E	0 587 41	0 587 21		0 587 11	0 587 01		
		3P+N+E	0 587 42	0 587 22		0 587 12	0 587 02		
380 to 415 V \sim 50/60 Hz	16 A	3P+E	5 553 58	5 553 88	0 573 21 ⁽¹⁾⁽²⁾	5 553 08	5 553 28		0 568 07
		3P+N+E	5 553 59	5 553 89	0 573 22 ⁽¹⁾⁽²⁾	5 553 09	5 553 29		0 568 08
	32 A	3P+E	5 554 58	5 554 88		5 554 18	5 554 38		0 568 27
		3P+N+E	5 554 59	5 554 89		5 554 19	5 554 39	0 565 28	0 568 28
	63 A	3P+E	0 587 44	0 587 24		0 587 14	0 587 04		0 587 34
		3P+N+E	0 587 45	0 587 25		0 587 15	0 587 05		0 587 35
	125 A	3P+E	0 591 06	0 591 16		0 591 36	0 591 26		0 591 46
		3P+N+E	0 591 07	0 591 17		0 591 37	0 591 27		0 591 47
	440 V \sim 50/60 Hz for refrigerated containers	32 A	3P+E	5 554 91		5 554 21	5 554 41		
480 to 500 V \sim 50/60 Hz	16 A	3P+E	5 553 62	5 553 92		5 553 12	5 553 32		
	32 A	3P+E	5 554 62	5 554 92		5 554 22	5 554 42		
		3P+N+E	5 554 63				5 554 43		
63 A	3P+E	0 553 48	0 587 27		0 587 17	0 587 07			

1: IP 55 - 2: Can be fitted only on faceplate Cat.No 0 577 23 (p. 22)

P 17 Tempra Pro IP 44 - LV 16 and 32 A

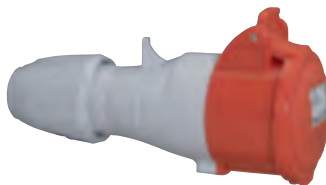
sockets, plugs, mobile sockets, appliance inlets and interlocked switched sockets



5 552 58



5 551 88



5 551 08



5 551 28

Technical characteristics p. 16

Surface mounting sockets

Pack	Cat.Nos		
	N IP 44		Two possible angles (5° or 25°)
	16 A	32 A	100/130 V ~
10	5 551 51	5 552 51	2P+E
10	5 551 52		3P+E
			200/250 V ~
10	5 551 54	5 552 54	2P+E
10	5 551 55	5 552 55	3P+E
10	5 551 56	5 552 56	3P+N+E
			380/415 V ~
10	5 551 57	5 552 57	2P+E
10	5 551 58	5 552 58	3P+E
10	5 551 59	5 552 59	3P+N+E

Panel mounting sockets inclined outlet

Pack	Cat.Nos		
	N IP 44		Can be fixed on plain faceplates or pre-drilled (p. 22) and on flush mounting boxes (p. 13)
	16 A	32 A	100/130 V ~
10	5 551 81	5 552 81	2P+E
			200/250 V ~
10	5 551 84	5 552 84	2P+E
10	5 551 85	5 552 85	3P+E
10	5 551 86	5 552 86	3P+N+E
			380/415 V ~
10	5 551 88	5 552 88	3P+E
10	5 551 89	5 552 89	3P+N+E

Panel mounting sockets straight outlet small flange

Pack	Cat.Nos		
	IP 44		Can be fixed only on plain faceplates Cat.Nos 0 577 15/16 (p. 22)
	16 A	32 A	200/250 V ~
5	0 573 54	0 580 54	2P+E
			380/415 V ~
5	0 573 58	0 580 58	3P+E
5	0 573 59	0 580 59	3P+N+E

Interlocked switched sockets with small flange

Pack	Cat.Nos		
	16 A		Dimensions: 125 x 105 mm Can be fixed only on faceplate Cat.No 577 23 (p. 22)
	IP 44	IP 55	200/250 V ~
1	0 573 00	0 573 20	2P+E
			380/415 V ~
1	0 573 01	0 573 21	3P+E
1	0 573 02	0 573 22	3P+N+E

Mobile sockets

Pack	Cat.Nos		
	N IP 44		Cable clamping and closing without screws Supplied unlocked
	16 A	32 A	100/130 V ~
10	5 551 01	5 552 11	2P+E
10	5 551 02		3P+E
			200/250 V ~
10	5 551 04	5 552 14	2P+E
10	5 551 05	5 552 15	3P+E
10	5 551 06	5 552 16	3P+N+E
			380/415 V ~
10	5 551 07	5 552 17	2P+E
10	5 551 08	5 552 18	3P+E
10	5 551 09	5 552 19	3P+N+E

Straight plugs

Pack	Cat.Nos		
	N IP 44		Cable clamping and closing without screws Supplied unlocked
	16 A	32 A	100/130 V ~
10	5 551 21	5 552 31	2P+E
10	5 551 22		
			200/250 V ~
10	5 551 24	5 552 34	2P+E
10	5 551 25	5 552 35	3P+E
10	5 551 26	5 552 36	3P+N+E
			380/415 V ~
10	5 551 27	5 552 37	2P+E
10	5 551 28	5 552 38	3P+E
10	5 551 29	5 552 39	3P+N+E

Phase inverter plugs

Pack	Cat.Nos		
	IP 44		Straight plugs for changing rotation direction of a 3-phase electric motor
	16 A	32 A	380/415 V ~
5	0 574 40	0 581 40	3P+E
5	0 574 41	0 581 41	3P+N+E

Appliance inlets

Pack	Cat.Nos		
	IP 44		
	16 A	32 A	100/130 V ~
10	0 575 81	0 582 81	2P+E
			200/250 V ~
5	0 575 84	0 582 84	2P+E
5	0 575 85		3P+E
5	0 575 86	0 582 86	3P+N+E
			380/415 V ~
5	0 575 88	0 582 88	2P+E
5	0 575 89	0 582 89	3P+N+E

Protection covers

Pack	Cat.Nos		
	Rubber		For plugs and appliance inlets:
10	0 521 25		2P+T - 16 A
5	0 521 26		3P+T - 16 A
5	0 521 27		3P+N+T - 16 A / 2P+T and 3P+T - 32 A
5	0 521 99		3P+N+T - 32 A

P 17 Tempra - domestic pin configuration 16 A - 250 V~

P 17 Tempra IP 44 - ELV 16 and 32 A



Technical characteristics p. 17

Pack	Cat.Nos	Panel mounting sockets
		Domestic pin configuration German standard sockets IP 54 cover closed - IP 44 connected IK 09 according to IEC 62262 and EN 62262 2P+E 250 V~ Material: plastic Self-extinguishing: 850 °C
		Panel mounting sockets with small flange Can be fixed only on plain faceplates Cat.Nos 0 577 15/16 (p. 22)
20	0 576 69	White panel mounting sockets
20	0 576 75	Blue panel mounting sockets with shutters
		Panel mounting sockets Can be fixed on pre-cut or plain faceplate for combined units (p. 22), flush-mounting boxes Cat.Nos 0 577 21/22 and P17 work sites combined units (p. 26)
20	0 576 72	Blue panel mounting sockets
20	0 576 76	Blue panel mounting sockets with shutters
		Panel mounting adaptor
8	0 539 48	Accepts Arteor and Mosaic mechanisms 2 modules (except particular prominence)
		Adaptor
10	0 521 05	16 A - 250 V~ IEC input 2P+E Output: empty model to be equipped with Mosaic mechanism all standards
		Flush-mounting boxes
		IP 55 For panel mounting sockets inclined outlet installation (IP 44 or IP 66/67) Flush mounting boxes with faceplates
3	0 577 21	For 2 panel mounting sockets With single fixing centres 70 x 70 mm - 16 A
3	0 577 22	For 1 panel mounting socket With single fixing centres 70 x 70 mm - 16 or 32 A (32 A to be fixed horizontally)

Technical characteristics p. 18

Pack	Cat.Nos	Surface mounting sockets
5	16 A 32 A 0 552 06 0 552 56	20/25 V~ 2P
		Panel mounting sockets
5	16 A 32 A 0 552 45 0 552 95	20/25 V~ 2P
		Straight plugs
5	16 A 32 A 0 552 21 0 552 71	20/25 V~ 2P
		Mobile sockets
5	16 A 32 A 0 552 31 0 552 81	20/25 V~ 2P
		Appliance inlets
5	16 A 32 A 0 552 41 0 552 91	20/25 V~ 2P

P 17 Tempra Pro IP 66/67 LV 16 and 32 A



P 17 Tempra Pro IP 66/67 LV 32 A for refrigerated containers



5 554 58



5 553 28



6 571 06

Technical characteristics p. 19

Pack	Cat.Nos		Surface mounting sockets
	16 A	32 A	Two possible angles (5° or 25°)
5	5 553 54	5 554 54	200/250 V~
5	5 553 55	5 554 55	2P+E
5	5 553 56	5 554 56	3P+E
			3P+N+E
			380/415 V~
5	5 553 58	5 554 58	2P+E
5	5 553 59	5 554 59	3P+N+E

Pack	Cat.Nos		Panel mounting sockets
	16 A	32 A	Can be fixed on the faceplates (p. 22)
5	5 553 84	5 554 84	200/250 V~
5	5 553 85	5 554 85	2P+E
5	5 553 86	5 554 86	3P+E
			3P+N+E
			380/415 V~
5	5 553 88	5 554 88	3P+E
5	5 553 89	5 554 89	3P+N+E

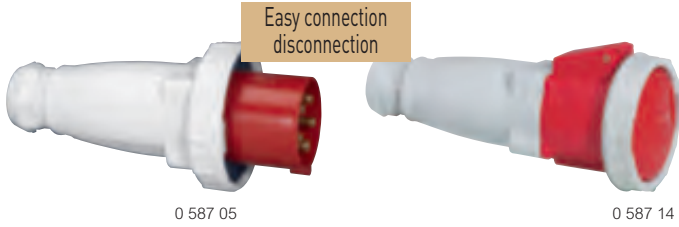
Pack	Cat.Nos		Mobile sockets
	16 A	32 A	Supplied unlocked
5	5 553 04	5 554 14	200/250 V~
5	5 553 05	5 554 15	2P+E
5	5 553 06	5 554 16	3P+E
			3P+N+E
			380/415 V~
5	5 553 08	5 554 18	3P+E
5	5 553 09	5 554 19	3P+N+E

Pack	Cat.Nos		Straight plugs
	16 A	32 A	Supplied unlocked
5	5 553 24	5 554 34	200/250 V~
5	5 553 25	5 554 35	2P+E
5	5 553 26	5 554 36	3P+E
			3P+N+E
			380/415 V~
5	5 553 28	5 554 38	3P+E
5	5 553 29	5 554 39	3P+N+E

Pack	Cat.Nos		Appliance inlets
	16 A	32 A	200/250 V~
5	0 568 03	0 568 23	2P+E
5	0 568 04	-	3P+E
			380/415 V~
5	0 568 07	0 568 27	3P+E
5	0 568 08	0 568 28	3P+N+E

Pack	Cat.Nos	Combined unit, plug and mobile socket for refrigerated containers
1	6 571 06	32 A - 440 V~ - 50/60 Hz - 3P+E - 3 hours IK 09 Plastic body and cover - Stainless steel screws Combined unit with interlocked switched socket - Double mechanical interlock - Cable glands are not supplied
1	5 554 91	Panel mounting socket
1	5 554 21	Mobile socket With cable grip Ø12 to 21.5 mm
1	5 554 41	Straight plug With cable grip Ø12 to 21.5 mm

P 17 Tempra IP 66/67 - LV 63 and 125 A



Technical characteristics p. 20-21

Pack Cat.Nos Surface mounting sockets

Pack	Cat.Nos	200/250 V~
2	63 A 0 587 40 125 A	2P+E
2 1	0 587 44 0 591 06	3P+E
2 1	0 587 45 0 591 07	3P+N+E

Panel mounting sockets

Can be fixed on the faceplates
Cat.Nos 0 577 17/19 (p. 26)

Pack	Cat.Nos	200/250 V~
2	63 A 0 587 20 125 A	2P+E
2 1	0 587 24 0 591 16	3P+E
2 1	0 587 25 0 591 17	3P+N+E

Straight plugs

Pack	Cat.Nos	200/250 V~
2	63 A 0 587 00 125 A	2P+E
2 1	0 587 04 0 591 26	3P+E
2 1	0 587 05 0 591 27	3P+N+E

Mobile sockets

Pack	Cat.Nos	200/250 V~
2	63 A 0 587 10 125 A	2P+E
2 1	0 587 14 0 591 36	3P+E
2 1	0 587 15 0 591 37	3P+N+E

Appliance inlets

Pack	Cat.Nos	200/250 V~
2	63 A 0 587 30 125 A	2P+E
2 1	0 587 34 0 591 46	3P+E
2 1	0 587 35 0 591 47	3P+N+E

P 17 WORKSITES COMBINED UNITS

Power supply made easy



- Provide temporary power supplies on building sites and for events
- 2 types of worksites combined units:
 - individual units (ready to use or to be equipped)
 - floor cabinets (to be equipped)
- Can take P17 Tempra Pro panel mounting sockets, Osmoz control units, Mosaic or Arteor sockets outlets (via the dedicated adaptor)
- Easy to hang on a wall without having to open the unit



CUSTOM MADE RANGES

Custom made P17 Tempra Pro power connectors and combined units available on request

Ask for your enquiry forms in order to define product specification

P 17 Tempra Pro IP 44 - LV 16 and 32 A

Characteristics

Terminal connection:

- Panel and surface mounting sockets

16 A: max. 1 x 4 mm² rigid

32 A: max. 1 x 10 mm² rigid

- Appliance inlets:

16 A: max. 1 x 2.5 mm² rigid

32 A: max. 1 x 6 mm² rigid

- Plugs and mobile sockets:

16 A: max. 1 x 2.5 mm² flexible

32 A: max. 1 x 6 mm² flexible

IP 44 according to IEC and EN 60529

IK 08 according to EN 50102 for interlocked switched sockets with small flange

IK 09 according to IEC 62262 and EN 62262

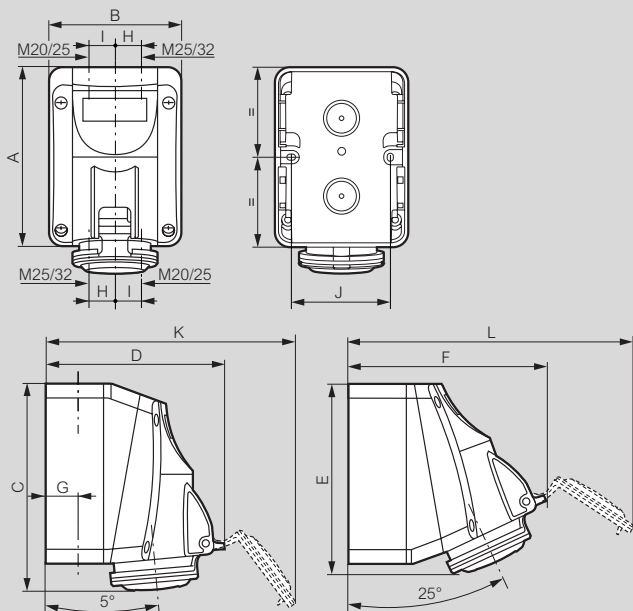
Material: polyamide 6

Self-extinguishing: 850 °C (support of active parts) / 650 °C (plastic housing)

- 25 °C to + 40 °C according to IEC 60309-1

Dimensions

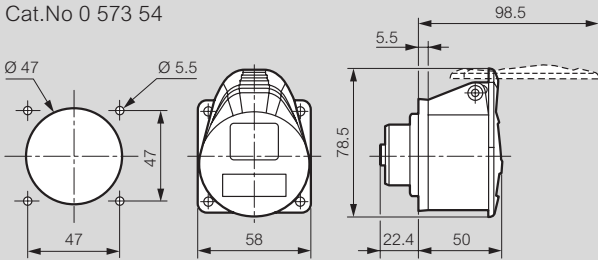
Surface mounting sockets (p. 12)



	A	B	C	D	E	F	G	H	I	J	K	L
LV 16 A												
2P+E	125	93	147	126	138	139	22	17	20	70	176	195
3P+E	125	93	147	134	138	147	22	17	20	70	190	210
3P+N+E	125	93	147	140	138	153	22	17	20	70	201	221
LV 32 A												
2P+E	150	113	174	156	163	172	28	22	26	90	220	245
3P+E	150	113	174	156	163	172	28	22	26	90	220	245
3P+N+E	150	113	174	162	163	177	28	22	26	90	230	256

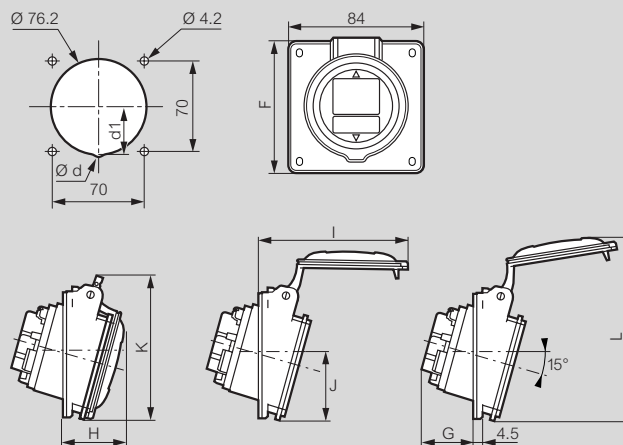
Panel mounting socket straight outlet small flange (p. 12)

Cat.No 0 573 54



Weight (kg) = 0.105

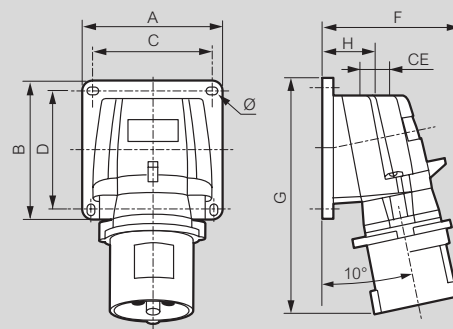
Panel mounting sockets inclined outlet (p. 12)



	Ød	d1	F	G	H	I	J	K	L
LV 16 A									
2P+E	-	-	84	33.5	37.5	85	42	88.5	112.5
3P+E	-	-	84	35.5	38.5	93	42	91.5	118.5
3P+N+E	-	-	84	36.5	39.5	100	43.3	97	123.5
LV 32 A									
2P+E	-	-	94	41.5	45.5	110	47	102	131
3P+E	8	36	94	42.5	46.5	117	47	107.5	138

Appliance inlets (p. 12)

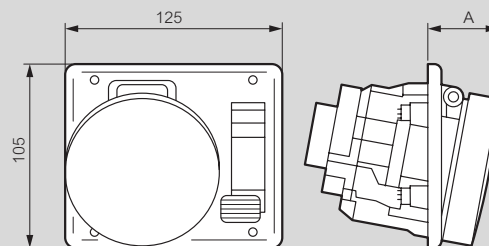
Cat.Nos 0 575 84/88/89 and 0 582 84/88/89



	Weight (kg)	A	B	C	D	F	G	H	CE	Ø
LV 16 A										
2P+E	0.168	84	84	72	72	77	126	34	M20	4.3
3P+E	0.232	84	84	72	72	84	134	34	M20	4.3
3P+N+E	0.256	84	84	72	72	91	141	34	M20	4.3
LV 32 A										
2P+E	0.325	110	110	98	98	96	168	39	M25	5.3
3P+N+E	0.364	110	110	98	98	102	168	39	M25	5.3

Interlocked switched sockets with small flange (p. 12)

Cat.Nos 0 573 00/01/02 and 0 573 20/21/22



	16 A	IP	A	IP	A
2P+E	44	38	55	45	
3P+E	44	38	55	45	
3P+N+E	44	38	55	45	

P 17 Tempra Pro IP 44 - LV 16 and 32 A

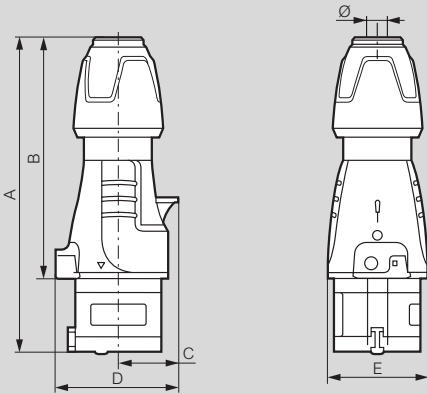
mobile products

P 17 Tempra domestic pin configuration

16 A - 250 V~

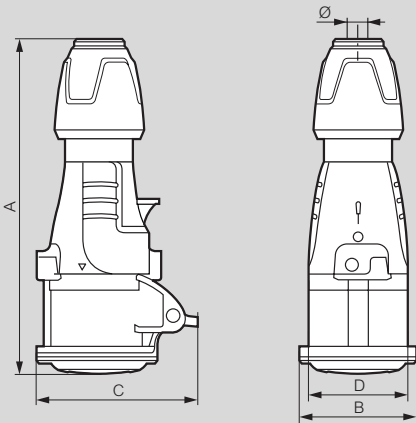
Dimensions

Straight plugs (p. 12)



	A	B	C	D	E	Ø
LV 16 A						
2P+E	146 to 157	109.5 to 120.5	30	61	50	6.5 to 14
3P+E	146 to 157	109.5 to 120.5	34	67	55	7.10 to 15.5
3P+N+E	163 to 176	126.5 to 139.5	38	76	65	8 to 20
LV 32 A						
2P+E	172 to 185	127 to 140	40	78	65	8 to 20
3P+E	172 to 185	127 to 140	40	78	65	8 to 20
3P+N+E	179 to 189	133 to 143	45	86	71	11.9 to 22.2

Mobile sockets (p. 12)

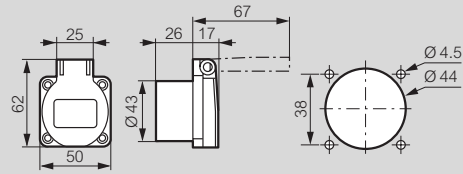


	A	B	C	D	Ø
LV 16 A					
2P+E	156 to 167	59	81	50	6.5 to 14
3P+E	157 to 168	65	88	55	7.10 to 15.5
3P+N+E	175 to 188	72	94	65	8 to 20
LV 32 A					
2P+E	184 to 197	73	99	65	8 to 20
3P+E	184 to 197	73.5	99	65	8 to 20
3P+N+E	190 to 203	79.5	105	71	11.9 to 22.2

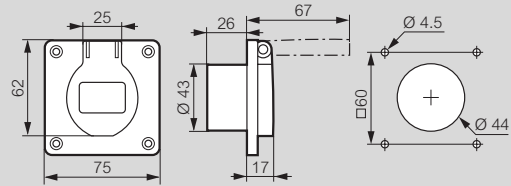
Dimensions

Domestic pin configuration sockets (p. 13)

Cat.Nos 0 576 69/75

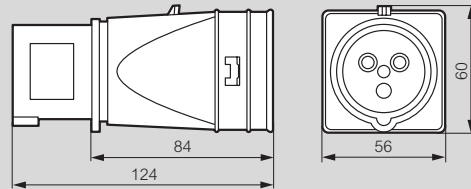


Cat.Nos 0 576 72/76



Adaptor 16 A - 230 V (p. 13)

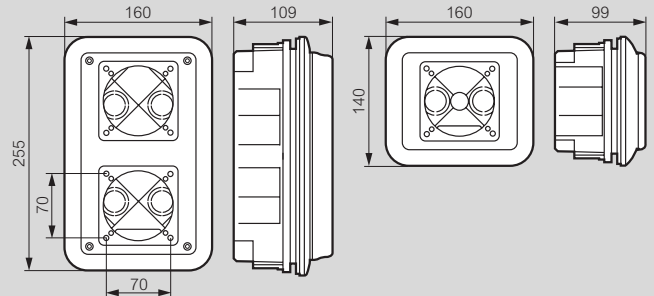
Cat.No 0 521 05



Flush mounting boxes (p. 13)

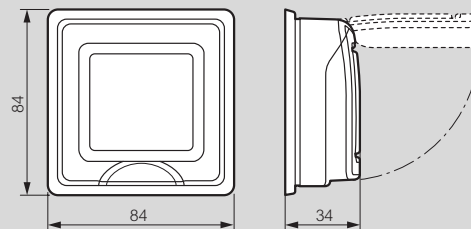
Cat.No 0 577 21

Cat.No 0 577 22



Panel mounting adaptor (p. 13)

Cat.No 0 539 48



P 17 Tempra IP 44 - ELV 16 and 32 A

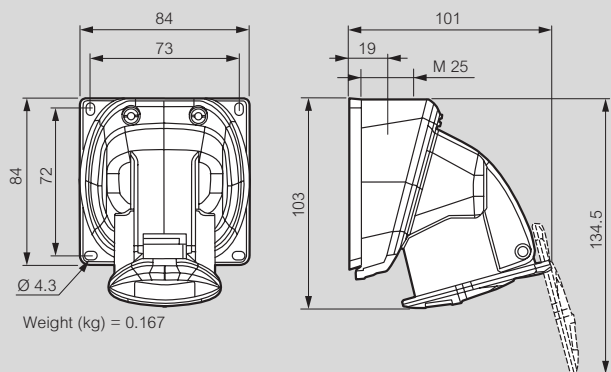
Characteristics

Terminal connection:
 Max. 1 x 10 mm² (rigid for fixed products flexible for mobile products)
 IP 44 according to IEC 60529 and EN 60529
 IK 09 according to IEC 62262 and EN 62262
 Material: plastic
 Self-extinguishing: 850 °C (support of active parts) / 650 °C (plastic housing)
 Temp. rating: - 25 °C to + 40 °C
 Conform to IEC 60309-1 / IEC 60309-2 and EN 60309-1 / EN 60309-2

Dimensions

Surface mounting sockets (p. 13)

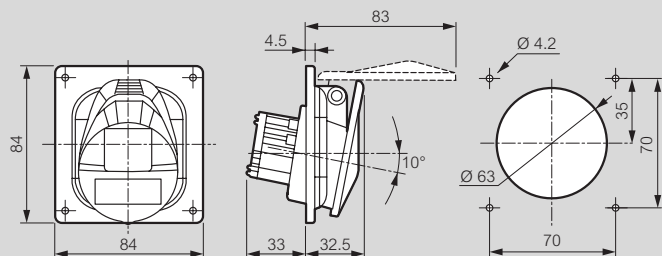
Cat.Nos 0 552 06/56



Weight (kg) = 0.167

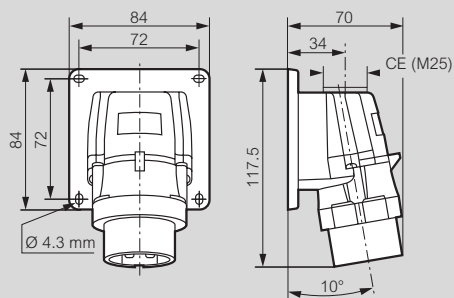
Panel mounting sockets (p. 13)

Cat.Nos 0 552 45/95



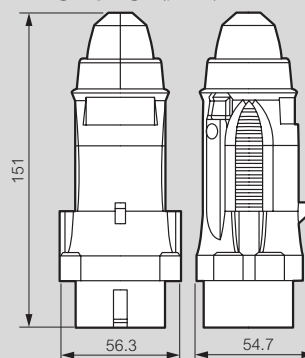
Appliance inlets (p. 13)

Cat.Nos 0 552 41/91



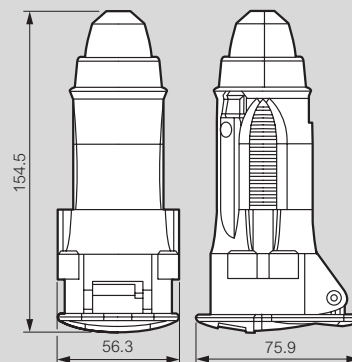
Dimensions ELV 16 and 32 A

Straight plugs (p. 13)



Weight (kg) = 0.132

Mobile sockets (p. 13)



Weight (kg) = 0.16

P 17 Tempra Pro IP 66/67 - LV 16 and 32 A

Characteristics

Terminal connection:

- Panel and surface mounting sockets
- 16 A: max. 1 x 4 mm² rigid - 32 A: max. 1 x 10 mm² rigid
- Plugs, mobile sockets:
- 16 A: max. 1 x 2,5 mm² flexible - 32 A: max. 1 x 6 mm² flexible

• Appliance inlets:

- 16 A: max. 1 x 2.5 mm² rigid - 32 A: max. 1 x 6 mm² rigid

IP 66/67 according to IEC 60529 and EN 60529

IK 09 according to IEC 62262 and EN 62262

Material: polyamide 6

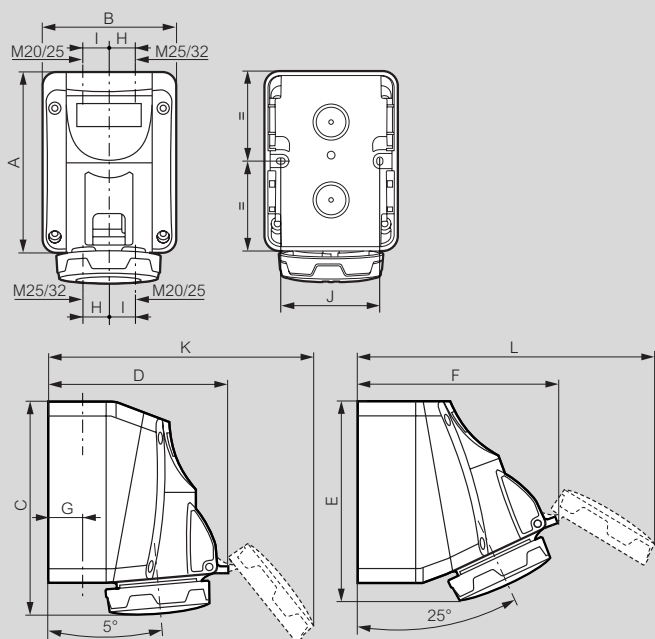
Self-extinguishing: 850 °C (support of active parts) / 650 °C (plastic housing)

Temp. rating: - 25 °C to + 40 °C

Conform to IEC 60309-1 and IEC 60309-2

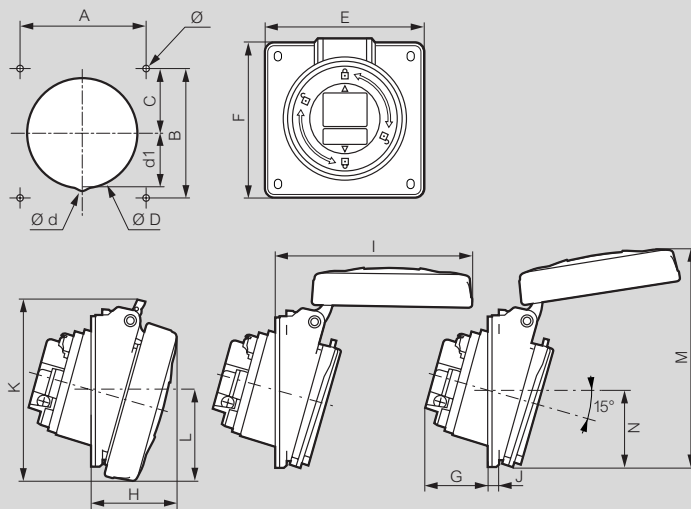
Dimensions

Surface mounting sockets (p. 14)



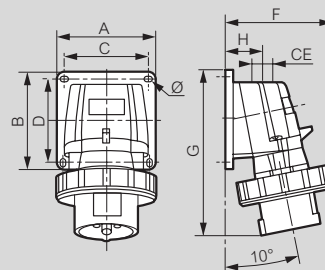
	A	B	C	D	E	F	G	H	I	J	K	L
LV 16 A												
2P+E	125	93	144	125	131	137	22	17	20	70	178	200
3P+E	125	93	144	133	131	145	22	17	20	70	194	215
3P+N+E	125	93	144	139	131	150	22	17	20	70	205	227
LV 32 A												
2P+E	150	113	171	155	156	170	28	22	26	90	224	250
3P+E	150	113	171	161	156	175	28	22	26	90	231	260
3P+N+E	150	113	171	161	156	175	28	22	26	90	231	260

Panel mounting sockets (p. 14)



	Dimensions (mm)																
	A	B	C	ØD	Ød	d1	E	F	G	H	I	J	K	L	M	N	Ø
LV 16 A																	
2P+E	70	70	35	76.2	-	-	84	84	33.5	42	94	4.5	88	42.5	114	42	4.2
3P+E	70	70	35	76.2	-	-	84	84	35.5	43	101	4.5	94.5	46	118	42	4.2
3P+N+E	70	70	35	76.2	-	-	84	84	36.5	44	108.5	4.5	101	50	123	42.5	4.2
LV 32 A																	
2P+E/3P+E	70	70	35	76.2	-	-	84	94	41.5	50.5	118	4.5	105.5	54.5	129.5	47.5	4.2
3P+N+E	70	70	35	76.2	8	36	84	94	42.5	51.5	124.5	4.5	112	57.5	137	51	4.2

Appliance inlets (p. 14)

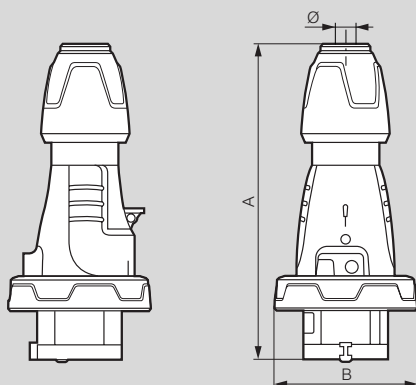


	Weight (kg)	A/B	C/D	F	G	H	CE	Ø
LV 16 A								
2P+E	0.188	84	72	87	126	34	M 20	4.3
3P+E	0.257	84	72	95	134	34	M 20	4.3
3P+N+E	0.297	84	72	100	141	34	M 20	4.3
LV 32 A								
2P+E	0.370	110	98	107	168	39	M 25	5.3
3P+E	0.413	110	98	113	168	39	M 25	5.3

P 17 Tempra Pro IP 66/67 LV 16 and 32 A - mobile products

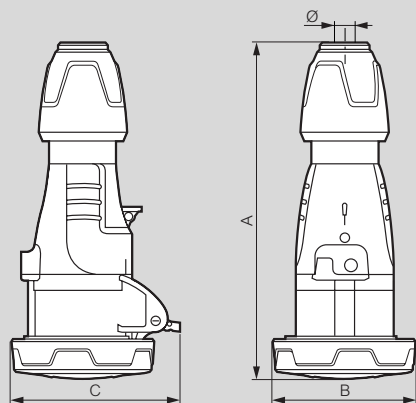
Dimensions

Straight plugs (p. 14)



	A	B	Ø
LV 16 A			
2P+E	146 to 157	72.5	6.5 to 14
3P+E	146 to 157	80.5	7.10 to 15.5
3P+N+E	163 to 176	89	8 to 20
LV 32 A			
2P+E	172 to 185	93	8 to 20
3P+E	172 to 185	93	8 to 20
3P+N+E	179 to 189	100	11.9 to 22.2

Mobile sockets (p. 14)



	A	B	C	Ø
LV 16 A				
2P+E	159 to 170	72.5	86	6.5 to 14
3P+E	159 to 170	80.5	93	7.1 to 15.5
3P+N+E	179 to 190	89	100	8 to 20
LV 32 A				
2P+E	187 to 200	93	104	8 to 20
3P+E	187 to 200	93	104	8 to 20
3P+N+E	192 to 205	100	110.5	11.9 to 22.2

P 17 Tempra IP 66/67 - LV 63 A

Characteristics

Terminal connection:

- Panel and surface mounting sockets
63 A: max. 1 x 25 mm² rigid - 125 A: max. 1 x 70 mm² rigid
- Appliance inlets:
63 A: max. 1 x 16 mm² rigid - 125 A: max. 1 x 50 mm² rigid
- Plugs and mobile sockets:
63 A: max. 1 x 16 mm² flexible - 125 A: max. 1 x 50 mm² flexible

IP 66/67 according to IEC 60529 and EN 60529

IK 09 according to IEC 62262 and EN 62262

Material: plastic

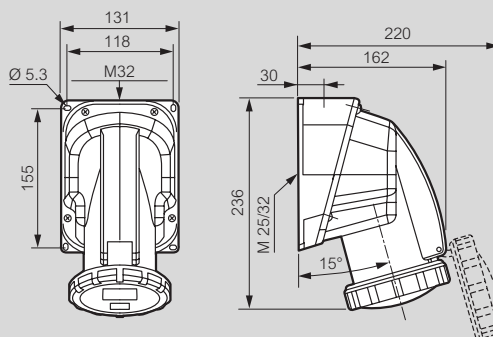
Self-extinguishing: 850 °C (support of active parts) / 650 °C (plastic housing)

Temp. rating: - 25 °C to + 40 °C. Conform to IEC 60309-1 and IEC 60309-2

Dimensions

Surface mounting sockets (p. 15)

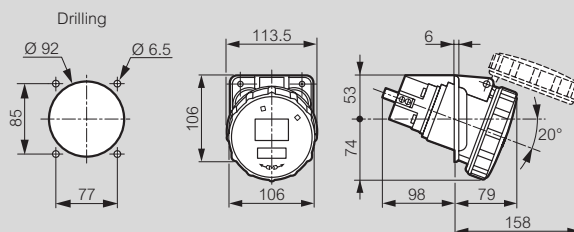
Cat.Nos 0 587 40/44/45



	Weight (kg)
3P+E	0.900
3P+N+E	0.950

Panel mounting sockets (inclined outlet) (p. 15)

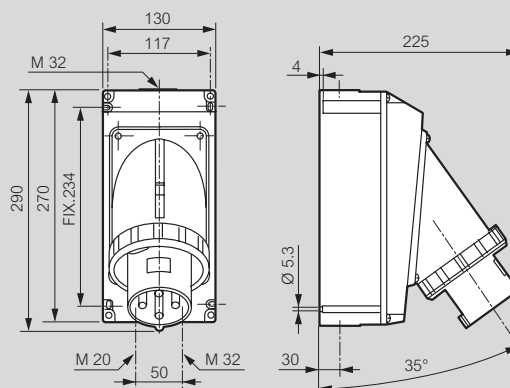
Cat.Nos 0 587 20/24/25



	Weight (kg)
3P+E	0.710
3P+N+E	0.770

Appliance inlets (p. 15)

Cat.Nos 0 587 30/34/35



	Weight (kg)
3P+E	1.540
3P+N+E	1.610

P 17 Tempra IP 66/67 - LV 125 A

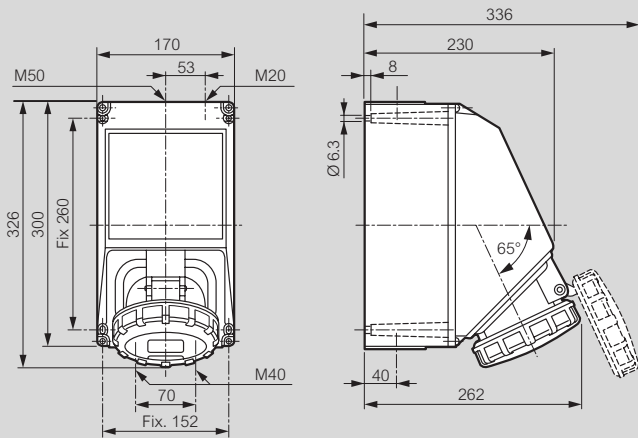
P 17 Tempra IP 66/67 - LV 63 and 125 A

mobile products

Dimensions

Surface mounting sockets (p. 15)

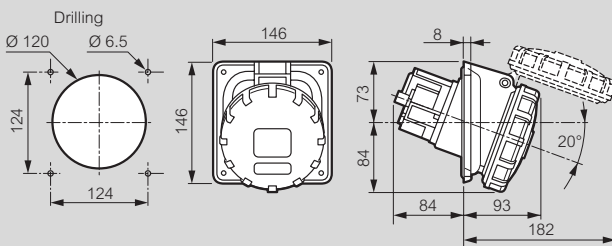
Cat.Nos 0 591 06/07



	Weight (kg)
3P+E	2.600
3P+N+E	2.730

Surface mounting sockets (p. 15)

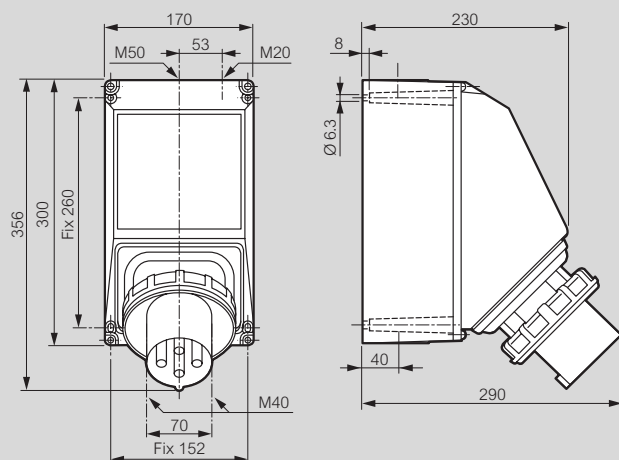
Cat.Nos 0 591 16/17



	Weight (kg)
3P+E	1.000
3P+N+E	1.200

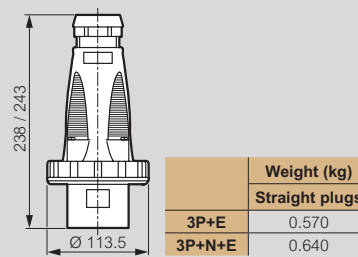
Appliance inlets (p. 15)

Cat.Nos 0 591 46/47



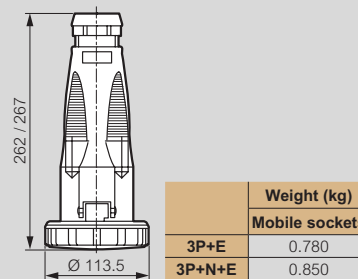
Dimensions LV 63 A

Straight plugs (p. 15)



	Weight (kg)
Straight plugs	
3P+E	0.570
3P+N+E	0.640

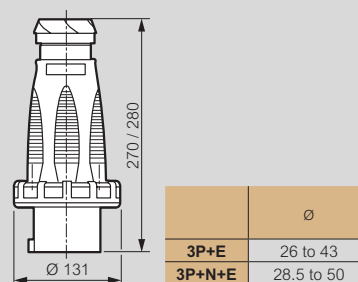
Mobile sockets (p. 15)



	Weight (kg)
Mobile sockets	
3P+E	0.780
3P+N+E	0.850

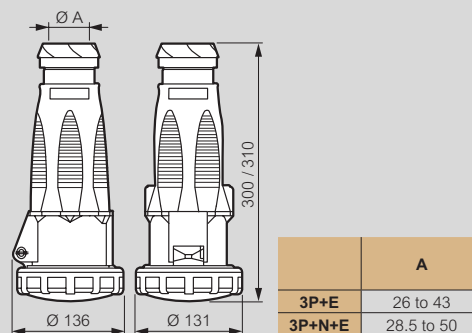
Dimensions LV 125 A

Straight plugs (p. 15)



	Ø
3P+E	26 to 43
3P+N+E	28.5 to 50

Mobile sockets (p. 15)



	A
3P+E	26 to 43
3P+N+E	28.5 to 50

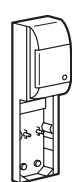
P17 Tempra combined units to be composed

- IK 08 according to IEC 62262
- Self-extinguishing: 650 °C
- Max. IP 66



Bases and faceplates dimensions p. 24

Example of combined unit configuration



base

+



MCCBs, RCDs

+



faceplate

+



sockets

=



combined unit

COMBINED UNITS HEIGHT 220 MM TO 441 MM

BASES FOR 220 x 125 MM FACEPLATES - MAX IP 66

Surface mounting box	Base up to 2 sockets 16 A	Base up to 4 sockets 16 A	Base up to 6 sockets 16 A
220 x 125 mm ⁽⁴⁾	371 x 125 mm ⁽⁴⁾ Rail 5 modules 17.5 mm	441 x 265 mm ⁽⁴⁾ Rail 12 modules 17.5 mm	441 x 405 mm ⁽⁴⁾ Rail 18 modules 17.5 mm
Pack	Cat.No	Pack	Cat.No
2	0 577 10	1	0 589 38
Pack	Cat.No	Pack	Cat.No
1	0 577 05	1	0 577 06

220 X 125 MM FACEPLATES

1 socket 16 or 32 A	2 sockets 16 A	1 socket 63 A	Plain plate
Pack	Cat.No	Pack	Cat.No
5	0 577 12	5	0 577 13 ⁽¹⁾
Pack	Cat.No	Pack	Cat.No
2	0 577 17	5	0 577 15

COMBINED UNITS HEIGHT 280 MM TO 501 MM

BASES FOR 280 x 125 MM FACEPLATES - MAX IP 66

Surface mounting box	Base up to 3 sockets 16 A	Base up to 6 sockets 16 A	Base up to 9 sockets 16 A
280 x 125 mm ⁽⁴⁾	421 x 125 mm ⁽⁴⁾ Rail 5 modules 17.5 mm	501 x 265 mm ⁽⁴⁾ Rail 12 modules 17.5 mm	501 x 405 mm ⁽⁴⁾ Rail 18 modules 17.5 mm
Pack	Cat.No	Pack	Cat.No
3	0 577 11	1	0 577 20
Pack	Cat.No	Pack	Cat.No
1	0 577 03	1	0 577 04

280 x 125 MM FACEPLATE

2 sockets 16 or 32 A	2 interlocked switched sockets 16 A (p. 16)	1 socket 16 or 32 A and 1 socket 63 A	3 sockets 16 A ⁽²⁾	Plain plate	
Pack	Cat.No	Pack	Cat.No	Pack	Cat.No
4	0 577 18 ⁽¹⁾	1	0 577 23	2	0 577 19 ⁽¹⁾
Pack	Cat.No	Pack	Cat.No	Pack	Cat.No
4	0 577 14 ⁽¹⁾	4	0 577 16		

1: Supplied with blanking plate - 2: To be fixed horizontally except 16 A domestic pin sockets, vertically (IP 44 - connected) - 3: IP 54 cover closed - IP 44 connected
4: External dimensions: H x W - 5: Interlocked switched socket with small flange - 6: IP 55 - Interlocked switched socket with small flange



0 577 04 with emergency stop button, appliance inlet and interlocked switched sockets



0 577 20 with interlocked switched sockets

EXAMPLE OF SOCKETS

ELV (p. 17)			IP 44		
20/25 V~	16 A	2P	0 552 45		
	32 A	2P	0 552 95		
Domestic pin (p. 17)			IP 54 ⁽³⁾		
250 V	16 A	2P+E	0 576 72/76		
LV (p. 14 to 19)			IP 44	IP 66-67	
100/130 V~	16 A	2P+E	5 551 81	-	
	16 A	2P+E	5 551 84	5 553 84	
200/250 V~	32 A	2P+E	5 552 84	5 554 84	
	63 A	2P+E	-	0 587 20	
380/415 V~	16 A	3P+E	5 551 88	5 553 88	
		3P+N+E	5 551 89	5 553 89	
	32 A	3P+E	5 552 88	5 554 88	
		3P+N+E	5 552 89	5 554 89	
	63 A	3P+E	-	0 587 24	
		3P+N+E	-	0 587 25	

Possible combinations with bases for 220 x 125 mm faceplates

Cat.No	Nb of sockets	Intensity			Number of faceplates		
		16 A	16 A or 32 A	63 A	0 577 12	0 577 13	0 577 17
With box or base							
0 577 10 or 0 589 38	1 socket	-	1	-	1	-	-
	2 sockets	2	-	-	-	1	-
0 577 05	2 sockets	-	2	-	2	-	-
		-	1	1	1	-	1
	3 sockets	2	1	-	1	1	-
		2	-	1	-	1	1
	4 sockets	4	-	-	-	2	-
		-	3	-	-	3	-
0 577 06	3 sockets	-	-	3	-	-	3
		-	1	2	1	-	2
		-	2	1	2	-	1
	4 sockets	2	1	1	1	1	1
		2	2	-	2	1	-
		2	-	2	-	1	2
	5 sockets	4	1	-	1	2	-
		4	-	1	-	2	1
	6 sockets	6	-	-	-	3	-

EXAMPLE OF SOCKETS

ELV (p. 17)			IP 44		
20/25 V~	16 A	2P	0 552 45		
	32 A	2P	0 552 95		
Domestic pin (p. 17)			IP 54 ⁽³⁾		
250 V	16 A	2P+E	0 576 72/76		
LV (p. 14 to 19)			IP 44	IP 66-67	
100/130 V~	16 A	2P+E	5 551 81	-	
	16 A	2P+E	5 551 84	5 553 84	
200/250 V~	32 A	2P+E	5 552 84	5 554 84	
	63 A	2P+E	-	0 587 20	
380/415 V~	16 A	3P+E	5 551 88	5 553 88	
		3P+N+E	0 573 01 ⁽⁵⁾	0 573 21 ⁽⁶⁾	
	32 A	3P+E	5 551 89	5 553 89	
		3P+N+E	0 573 02 ⁽⁵⁾	0 573 22 ⁽⁶⁾	
	63 A	3P+E	5 552 88	5 554 88	
		3P+N+E	5 552 89	5 554 89	
63 A	3P+E	-	0 587 24		
	3P+N+E	-	0 587 25		

Possible combinations with bases for 280 x 125 mm faceplates

Cat.No	Nb of sockets	Intensity			Number of faceplates			
		16 A	16 A or 32 A	63 A	0 577 18	0 577 23	0 577 19	0 577 14
Avec boîtier ou embase								
0 577 11 or 0 577 20	2 sockets	-	2	-	1	-	-	-
	2 interlocked sw. sockets	-	1	1	-	-	1	-
		-	-	-	-	1	-	-
0 577 03	3 sockets	3	-	-	-	-	-	1
		-	4	-	2	-	-	-
	4 sockets	-	2	2	-	-	2	-
		-	3	1	1	-	1	-
	4 interlocked sw. sockets	-	-	-	-	2	-	-
		3	1	1	-	-	1	1
5 sockets	3	2	-	1	-	-	1	
	6	-	-	-	-	-	2	
0 577 04	6 sockets	-	6	-	3	-	-	-
		-	3	3	-	-	3	-
		-	5	1	2	-	1	-
	6 interlocked sw. sockets	-	4	2	1	1	2	-
		-	-	-	-	3	-	-
		3	2	2	-	-	2	1
7 sockets	3	4	-	2	-	-	1	
	3	3	1	1	-	1	1	
8 sockets	6	1	1	-	-	1	2	
	6	2	-	1	-	-	2	
9 sockets	9	-	-	-	-	-	3	

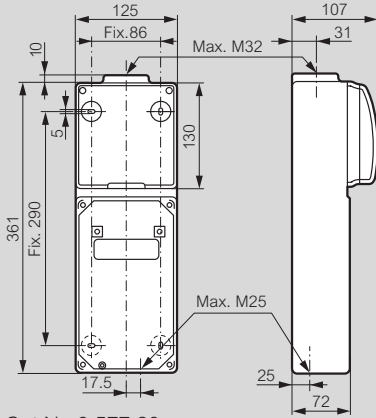
P 17 Tempra combined units to be composed

Dimensions

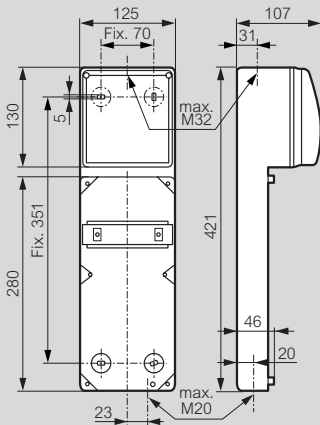
Cable glands are not supplied
Entries to drill

Bases

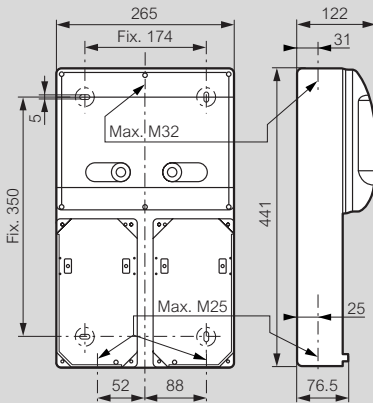
Cat.No 0 589 38



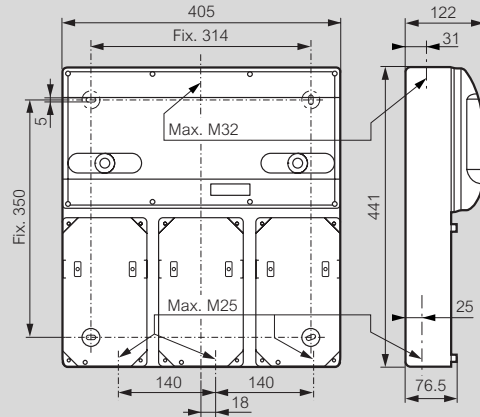
Cat.No 0 577 20



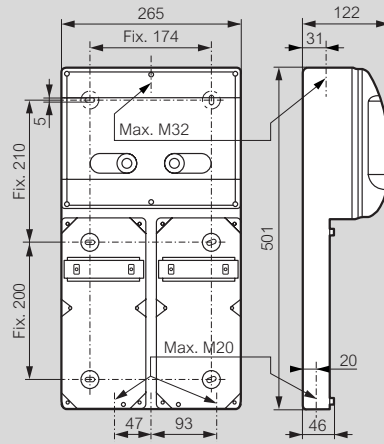
Cat.No 0 577 05



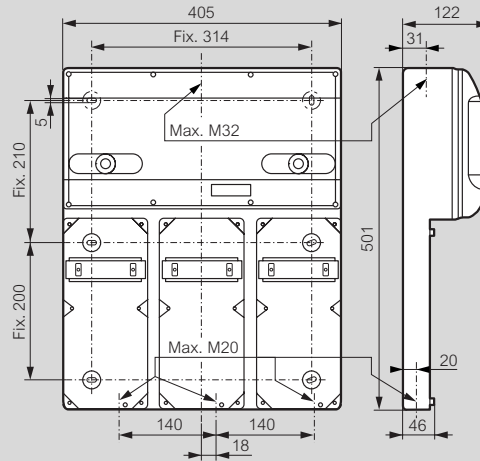
Cat.No 0 577 06



Cat.No 0 577 03

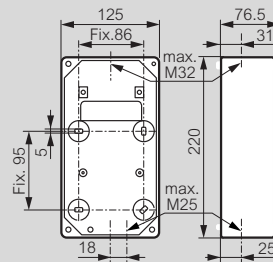


Cat.No 0 577 04

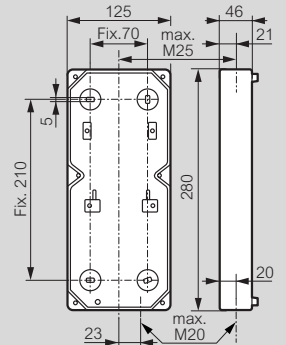


Surface mounting boxes

Cat.No 0 577 10



Cat.No 0 577 11



P 17 Tempra combined units LV 16 to 63 A

interlocked switched sockets

16-32 A			without rail				with empty Din rail			
<ul style="list-style-type: none"> • IP 44, IP 55, IP 66 according to IEC 60529 and EN 60529 • IK 08 according to IEC 62262 • Conform to IEC 60439-1 • Supplied without cable glands • Self-extinguishing: 650 °C 			125 x 220 mm				125 x 280 mm			
			IP 44		IP 55		IP 44		IP 66	
Pack	Cat.Nos	Pack	Cat.Nos	Pack	Cat.Nos	Pack	Cat.Nos	Pack	Cat.Nos	
200 to 250 V ~ 50/60 Hz	16 A	2P+E	1	0 566 01	1	0 566 21	1	0 566 41	1	0 566 61
	32 A	2P+E	1	0 566 09	1	0 566 29	1	0 566 49	1	0 566 69
380 to 415 V ~ 50/60 Hz	16 A	3P+E	1	0 566 05	1	0 566 25	1	0 566 45	1	0 566 65
		3P+N+E	1	0 566 06	1	0 566 26	1	0 566 46	1	0 566 66
	32 A	3P+E	1	0 566 13	1	0 566 33	1	0 566 53	1	0 566 73
		3P+N+E	1	0 566 14	1	0 566 34	1	0 566 54	1	0 566 74
63 A			without rail				with empty Din rail			
<ul style="list-style-type: none"> • IP 66 according to IEC 60529 and EN 60529 • IK 08 according to IEC 62262 • Conform to IEC 60439-1 • Supplied without cable glands • Self-extinguishing: 650 °C 			IP 66				IP 66			
			Pack	Cat.Nos	Pack	Cat.Nos	Pack	Cat.Nos		
380 to 415 V ~ 50/60 Hz	63 A	3P+E	1	0 572 98	1	0 589 18				
		3P+N+E	1	0 589 10	1	0 572 99				

110 VA combined units
Please consult us

Interlocked switched sockets with small flange **p. 12**

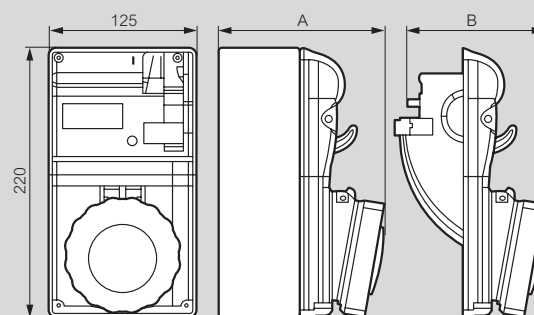


P 17 Tempra combined units LV 16 to 63 A

interlocked switched sockets

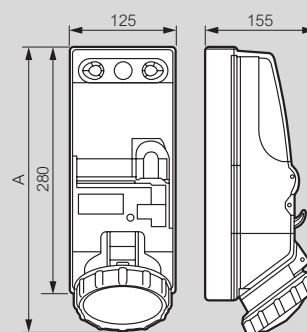
Dimensions

Without rail
LV 16/32 A



		IP 44 Cat.Nos	Dimensions (mm)		IP 55 Cat.Nos	Dimensions (mm)	
			A	B		A	B
LV 16 A	2P+E	0 566 01	127	122	0 566 21	133	128
	3P+E	0 566 05	129	124	0 566 25	134	129
	3P+N+E	0 566 06	130	125	0 566 26	135	130
LV 32 A	2P+E	0 566 09	138	133	0 566 29	143	138
	3P+E	0 566 13	138	133	0 566 33	143	138
	3P+N+E	0 566 14	139	134	0 566 34	144	139

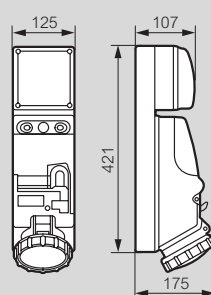
With empty Din rail
LV 16/32 A



	A	
	IP 44	IP 66
LV 16 A	290	300
LV 32 A	295	310

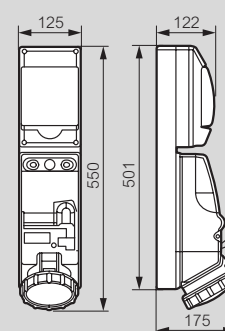
LV 63 A

Cat.Nos 0 572 98 and 0 589 10



LV 63 A

Cat.Nos 0 589 18 and 0 572 99



P 17 worksites combined units

individual units



0 589 44

0 589 45

0 589 43

Technical characteristics p. 27

Conforming to standard IEC 60439-4 and the decree of 14 November 1988 on the protection of workers, and to the recommendations of the OPPBTP (French professional organisation for accident prevention in building and civil engineering)
Provide temporary power supplies on building sites and for events
RAL 7016 and RAL 7035

Pack	Cat.Nos	Individual units
1	0 589 44	<p>Worksite combined units with integrated handle (can be fitted with security chain), to provide a power supply for portable electric tools Material: body ABS - window polycarbonate Operating temperature: - 25 °C to + 40 °C Easy to hang on a wall without having to open the unit (fixed via the outside of the unit) Replaceable window (spare part on request) Notches on each side for winding up the cord The cord can be locked for transport Dimensions (H x W): 506.5 x 181.5 mm</p> <p>With 6 sockets IP 54 - body IK 10 Composition: - 6 x 2P+E 16 A, German standard sockets (Cat.No 0 576 75) - Protection by 30 mA 2-pole RCBO With 3 m cord Fitted with a domestic pin plug</p>
1	0 589 45	<p>With 3 sockets IP 55 - body IK 10 Composition : - 2 x 2P+E 16 A, German standard sockets with transparent cover - 1 x 3P+E 16 A, 380/415 V~, IP 67 panel mounting socket - Protection by 30 mA 4-pole RCBO To be equipped with 3G 2.5 mm² cable, connected as follows: - protective conductor on terminal block - power supply on the terminals of the RCBO</p>
1	0 589 43	<p>To be equipped IP 44 - body IK 10 Can take up to 3 x 16 A max. sockets : - P 17 domestic pin configuration panel mounting sockets Cat.Nos 0 576 72 or 0 576 76 - P 17 panel mounting sockets, LV 16 A IEC, with standard fixing centres (horizontal fitting) - Plate with Osmoz emergency stop button Cat.No 0 577 40 or emergency break button Cat.No 0 577 45 - 1 adaptor Cat.No 0 539 48 to be equipped with Mosaic or Arteor wiring devices (except special surface mounting type) Supplied with 2 blanking plates Equipped with: - IP 2X terminal block for connecting the protective conductor - A rail taking up to 6 x 17.5 mm DIN modules</p>

P 17 worksites combined units

floor cabinet



0 589 57



0 577 43 - example of installation with floor cabinet

Technical characteristics p. 27

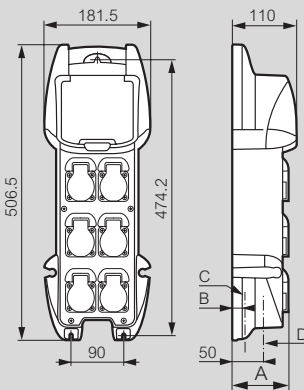
Conforming to standard IEC 60439-4 and the decree of 14 November 1988 on the protection of workers, and to the recommendations of the OPPBTP (French professional organisation for accident prevention in building and civil engineering)
Provide temporary power supplies on building sites and for events
RAL 7016 and RAL 7035

Pack	Cat.Nos	Floor cabinet
1	0 589 57	<p>IP 44 - enclosure IK 09 Material: body ABS - window polycarbonate Operating temperature: - 25 °C to + 40 °C Easy to hook on a wall without having to open the unit (fixed via the outside of the unit) or on frame Cat.No 0 577 43 Replaceable window (spare part on request) Pre-marked for optional addition of: - 2 cable entries (max. M32) on the bottom and 1 on each side of the unit - 1 additional P 17 domestic pin socket on each side of the unit Notches on each side for winding up the cable (not supplied), can be wound round the frame Option of adding a padlock Cat.No 0 044 43 to lock the window Dimensions (H x W): 479.6 x 431 mm</p> <p>To be equipped 40 A - 400 VA max. Can take up to 6 sockets: - P 17 panel mounting domestic pin sockets Cat.Nos 0 576 72 or 0 576 76 - P 17 panel mounting sockets, LV 16/32 A IEC, with standard fixing centres - Plate with Osmoz emergency stop button Cat.No 0 577 40 or emergency break button Cat.No 0 577 45 - 1 adaptor Cat.No 0 539 48 to be equipped with Mosaic or Arteor wiring devices (except special surface mounting type) Equipped with: - IP 2X terminal block for connecting the protective conductor - 9 modular blanking plates - 3 blanking plates for sockets</p>
1	0 577 40	<p>Plates with Osmoz buttons Osmoz emergency stop button For cutting off the power supply of the units Plate fixed on pre-drilled faceplate Supplied in parts ready for assembly Supplied with push-pull 2 NC contact block</p>
1	0 577 45	<p>Osmoz emergency break button For cutting off the power supply of the units Plate fixed on pre-drilled faceplate Supplied in parts ready for assembly Supplied with push-pull 1 NO contact block</p>
1	0 577 43	<p>Foldable frame For floor cabinets The unit can be fixed on the frame without opening the unit The unit equipped with its frame can be wall or floor-mounted Can be folded for easy transport and storage</p>

P17 worksites combined units

Dimensions of individual units

Cat.Nos 0 589 43/44/45

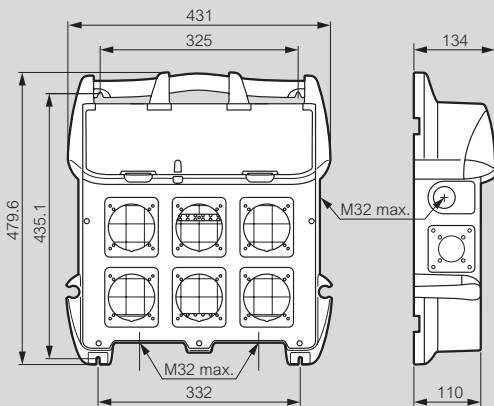


C: Pre-cut cable entry for cable gland (see below table, column C)
D: Cable entry to be drilled (see below table, column D)

Cat.Nos	A	B	C	D
0 589 43	-	20	M20	max M20
0 589 44	96	20	M20	max M20
0 589 45	125	22.5	M25	-

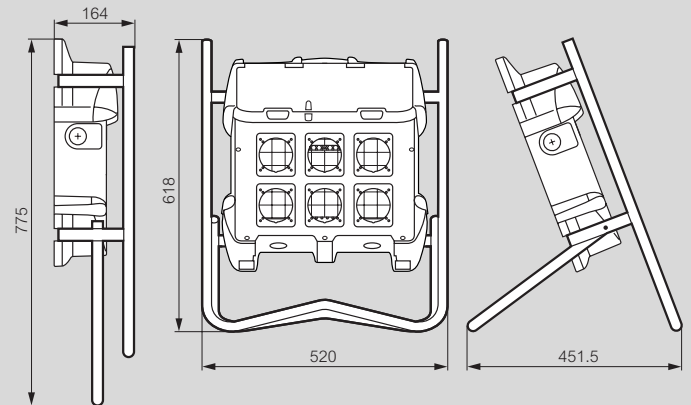
Dimensions of floor cabinets

Cat.No 0 589 57



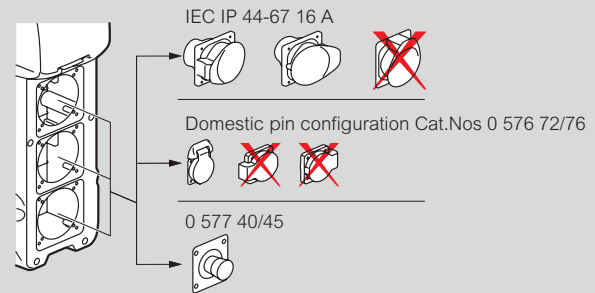
Mounting on foldable frame

Cat.Nos 0 577 43 and 0 589 57

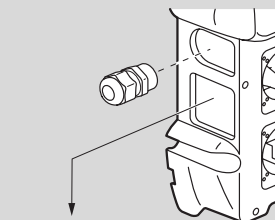
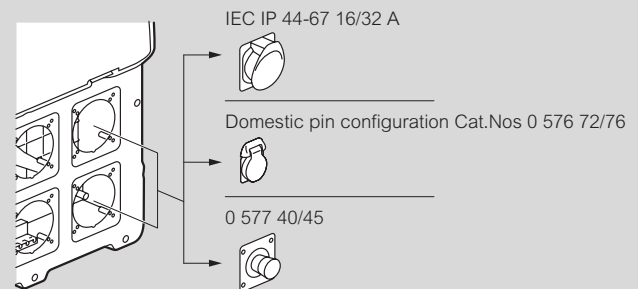


Pre-marking for cable glands and sockets

Cat.Nos 0 589 43/44/45



Cat.No 0 589 57



Domestic pin configuration
Cat.Nos 0 576 72/76



Catalogue number index

Cat.No	Page	Pack	Cat.No	Page	Pack	Cat.No	Page	Pack	Cat.No	Page	Pack	Cat.No	Page	Pack	Cat.No	Page	Pack
0 520 00			0 568 07	14	5	0 581 40	12	5	5 551 05	12	10	5 552 42	10	-	5 554 34	14	5
0 521 05			08	-	5	41	-	5	06	-	10	43	-	-	35	-	5
13			23	-	5	0 582 81			07	-	10	51	12	10	36	-	5
0 530 00			27	-	5	84	-	5	08	-	10	54	-	10	38	-	5
0 539 48			28	-	5	86	-	5	09	-	10	55	-	10	39	-	5
13			0 570 00			88	-	5	10	10	-	56	-	10	41	-	1
0 550 00			0 572 98	25	-	89	-	5	12	-	-	57	-	10	42	11	-
0 552 06			99	-	-	0 587 00	15	2	13	-	-	58	-	10	43	-	-
21			0 573 00	12	1	01	11	-	21	12	10	59	-	10	51	-	-
31			01	-	1	02	-	-	22	-	10	60	10	-	54	14	5
41			02	-	1	04	15	2	24	-	10	62	-	-	55	-	5
45			20	-	1	05	-	2	25	-	10	63	-	-	56	-	5
56			21	-	1	07	11	-	26	-	10	81	12	10	58	-	5
71			22	-	1	10	15	2	27	-	10	84	-	10	59	-	5
81			51	10	-	11	11	-	28	-	10	85	-	10	62	11	-
91			54	12	5	12	-	-	29	-	10	86	-	10	63	-	-
95			58	-	5	14	15	2	30	10	-	88	-	10	81	-	-
0 553 48			59	-	5	15	-	2	32	-	-	89	-	10	84	14	5
11			0 574 40	-	5	17	11	-	33	-	-	90	10	-	85	-	5
0 560 00			41	-	5	20	15	2	51	12	10	92	-	-	86	-	5
0 564 53			0 575 81	-	10	21	11	-	52	-	10	93	-	-	88	-	5
57			84	-	5	22	-	-	54	-	10	5 553 01	11	-	89	-	5
58			85	-	5	24	15	2	55	-	10	04	14	5	91	-	1
73			86	-	5	25	-	2	56	-	10	05	-	5	92	11	-
77			88	-	5	27	11	-	57	-	10	06	-	5	6 570 00		
78			89	-	5	30	15	2	58	-	10	08	-	5	6 571 06	14	1
0 565 03			0 576 69	13	20	34	-	2	59	-	10	09	-	5			
23			72	-	20	35	-	2	60	10	-	12	11	-			
28			75	-	20	40	-	2	62	-	-	21	-	-			
0 566 01			76	-	20	41	11	-	63	-	-	24	14	5			
05			0 577 03	22	1	42	-	-	81	12	10	25	-	5			
06			04	-	1	44	15	2	84	-	10	26	-	5			
09			05	-	1	45	-	2	85	-	10	28	-	5			
13			06	-	1	0 589 10	25	-	86	-	10	29	-	5			
14			10	-	2	18	-	-	88	-	10	32	-	-			
21			11	-	3	38	22	1	89	-	10	51	-	-			
25			12	-	5	43	26	1	90	10	-	54	-	5			
26			13	-	5	44	-	1	92	-	-	55	-	5			
29			14	-	4	45	-	1	93	-	-	56	-	5			
33			15	-	5	57	-	1	5 552 11	12	10	58	-	5			
34			16	-	4	0 590 00			14	-	10	59	-	5			
41			17	-	2	0 591 06	15	1	15	-	10	62	11	-			
45			18	-	4	07	-	1	16	-	10	81	-	-			
46			19	-	2	16	-	1	17	-	10	84	14	5			
49			20	-	1	17	-	1	18	-	10	85	-	5			
53			21	13	3	26	-	1	19	-	10	86	-	5			
54			22	-	3	27	-	1	20	10	-	88	-	5			
61			23	22	1	36	-	1	22	-	-	89	-	5			
65			40	26	1	37	-	1	23	-	-	92	11	-			
66			43	-	1	46	-	1	31	-	10	5 554 14	14	5			
69			45	-	1	47	-	1	34	-	10	15	-	5			
73			0 580 00			5 550 00			35	-	10	16	-	5			
74			0 580 54	12	5	5 551 01	12	10	36	-	10	18	-	5			
0 568 00			58	-	5	02	-	10	37	-	10	19	-	5			
03			59	-	5	04	-	10	38	-	10	21	11	-			
04									39	-	10	22	-	-			
									40	-	-	31	-	-			



EXB 12070 - February 2013

FOLLOW US ALSO ON

@ www.legrand.com

 www.youtube.com/legrand

 twitter.com/@legrand



Head office
and International Department
87045 Limoges Cedex - France
☎ : + 33 (0) 5 55 06 87 87
Fax: + 33 (0) 5 55 06 74 55