



Photoelectric sensors
Photoelectric switch for fibre-optic cables,
Product group W160

WLL160-E122



Model Name > [WLL160-E122](#)
Part No. > [6009981](#)



- Sensitivity setting with potentiometer, scaled
- Large selection of LL3 fiber-optic cables
- Switch-off delay 0 to 100 ms
- Contamination control output and test input for equipment and system testing



Product features

Light source:	LED
Type of light:	Red light
Light spot diameter:	Depending on the scanning range
Wave length:	660 nm
Sensing range min ... max (through-beam system):	0 mm ... 2,000 mm
Fibre-optic cable (through-beam system):	LL3-TB02 and tip adapter LL3-TA01
Sensing range min ... max (proximity system):	0 mm ... 70 mm
Fibre-optic cable (proximity system):	LL3-DB01

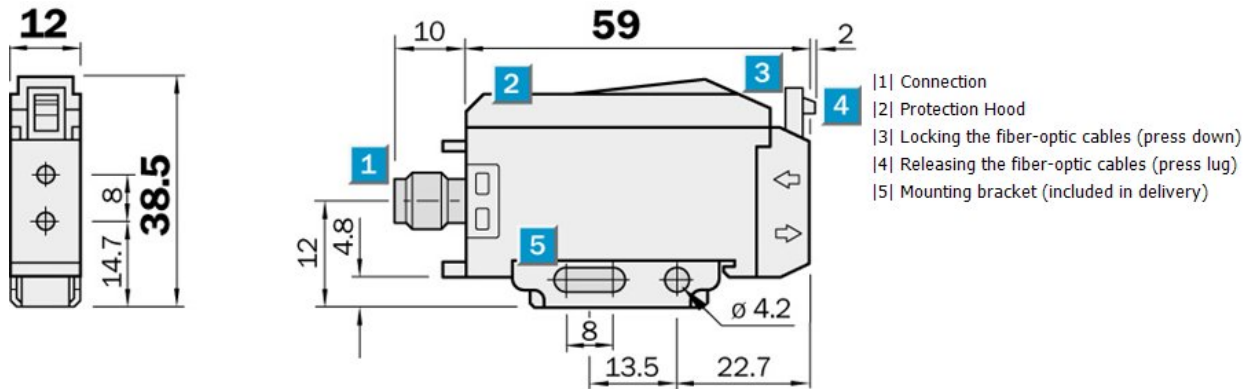
Technical data

Design:	cuboid
Dimensions (W x H x D):	12 mm x 38.5 mm x 59 mm
Supply voltage min ... max:	DC 10 ... 30 V ¹⁾
Ripple:	± 10 %
Power consumption:	≤ 30 mA
Switching output:	NPN: open collector: Q
Switching mode:	Light-/dark-switching via slide switch
Output current max.:	100 mA
Response time:	≤ 0.35 ms
Switching frequency:	1,500 Hz
Connection type:	Cable, 2 m
Number of cores:	5
Conductor cross section.:	0.2 mm ²
Circuit protection:	V _S connections reverse-polarity protected/In-/outputs short-circuit protected/Interference suppression/Outputs overcurrent and short-circuit protected
Enclosure rating:	IP 66
Ambient operation temperature, min ... max:	-25 °C ... +55 °C
Ambient storage temperature, min ... max:	-40 °C ... +70 °C
Weight:	ca. 80 g
Housing material:	ABS

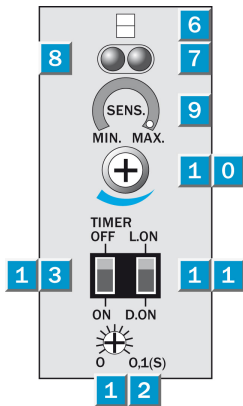
Cable material::	PVC
Angle of dispersion:	ca. 65 °
Test input sender off:	TE to 0 V
Series:	W160
Cable diameter::	Ø 4.2 mm
Time delay:	Selectable, via slide switch
Time type:	Switch-off delay TOFF 0 ... 100 ms
Front screen heating:	-
Polarisation filter:	-
Alarm output:	-

1) Limit values, reverse-polarity protected operation in short-circuit protected network max. 8 A

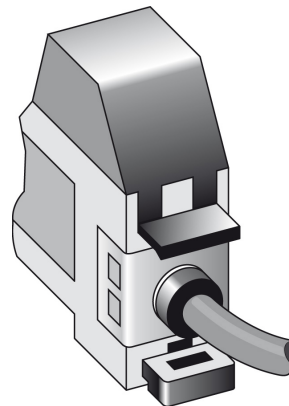
Dimensional drawing



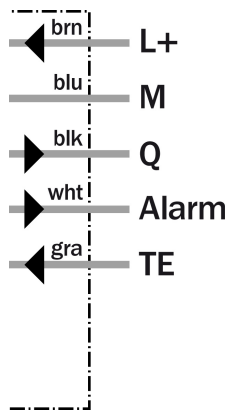
Adjustment possible



Connection type



Connection diagram



Australia

Phone +61 3 9497 4100
1800 334 802 – tollfree
E-Mail sales@sick.com.au

Belgium/Luxembourg

Phone +32 (0)2 466 55 66
E-Mail info@sick.be

Brasil

Phone +55 11 3215-4900
E-Mail sac@sick.com.br

Canada

Phone +1(952) 941-6780
1 800-325-7425 – tollfree
E-Mail info@sickusa.com

Ceská Republika

Phone +420 2 57 91 18 50
E-Mail sick@sick.cz

China

Phone +852-2763 6966
E-Mail ghk@sick.com.hk

Danmark

Phone +45 45 82 64 00
E-Mail sick@sick.dk

Deutschland

Phone +49 211 5301-301
E-Mail kundenservice@sick.de

España

Phone +34 93 480 31 00
E-Mail info@sick.es

France

Phone +33 1 64 62 35 00
E-Mail info@sick.fr

Great Britain

Phone +44 (0)1727 831121
E-Mail info@sick.co.uk

India

Phone +91-22-4033 8333
E-Mail info@sick-india.com

Israel

Phone +972-4-999-0590
E-Mail info@sick-sensors.com

Italia

Phone +39 02 27 43 41
E-Mail info@sick.it

Japan

Phone +81 (0)3 3358 1341
E-Mail support@sick.jp

Magyarország

Phone +36 1 371 2680
E-Mail office@sick.hu

Nederlands

Phone +31 (0)30 229 25 44
E-Mail info@sick.nl

Norge

Phone +47 67 81 50 00
E-Mail austefjord@sick.no

Österreich

Phone +43 (0)22 36 62 28 8-0
E-Mail office@sick.at

Polska

Phone +48 22 837 40 50
E-Mail info@sick.pl

România

Phone +40 356 171 120
E-Mail office@sick.ro

Russia

Phone +7 495 775 05 30
E-Mail info@sick.ru

Schweiz

Phone +41 41 619 29 39
E-Mail contact@sick.ch

Singapore

Phone +65 6744 3732
E-Mail admin@sicksgp.com.sg

South Africa

Phone +27 11 472 3733
E-Mail info@sickautomation.co.za

South Korea

Phone +82-2 786 6321/4
E-Mail info@sickkorea.net

Slovenija

Phone +386 (0)1-47 69 990
E-Mail office@sick.si

Suomi

Phone +358-9-25 15 800
E-Mail sick@sick.fi

Sverige

Phone +46 10 110 10 00
E-Mail info@sick.se

Taiwan

Phone +886 2 2375-6288
E-Mail sales@sick.com.tw

Türkiye

Phone +90 216 528 50 00
E-Mail info@sick.com.tr

United Arab Emirates

Phone +971 4 8865 878
E-Mail info@sick.ae

USA/México

Phone +1(952) 941-6780
1 800-325-7425 – tollfree
E-Mail info@sickusa.com

More representatives and agencies
at www.sick.com