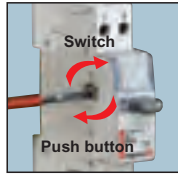


push buttons/control switches



0044 68



Push buttons transformed into switches

Dimensions p. 103

Conform to IEC 60669-1
 Breaking capacity AC 12 A according to IEC 60947-5-1
 Supplied in push button position
 Can be converted to control switches
 Accepts insertion of supply busbars

Pack	Cat. Nos.	Push buttons/control switches 20 A - 250 V~		Number of 17.5 mm modules
Single function				
10	0044 53	1 N/O		1
10	0044 54	1 N/C		1
10	0044 55	2 N/O		1
10	0044 58	1 N/O + 1 N/C		1
Dual function + indicator				
10	0044 63	1 N/O + green indicator Supplied with 230 V~ E10 lamp		1
10	0044 64	1 N/C + red indicator Supplied with 230 V~ E10 lamp		1
10	0044 68	1 N/O (green) + 1 N/C (red)		1

indicators



0044 88



0031 43

Dimensions p. 103

Pack	Cat. Nos.	Indicators - 250 V~	Number of 17.5 mm modules
Supplied with replaceable diffuser and lamp E10 - 230 V~ Allow supply busbar to be inserted			
Single			
10	0044 83	Green	1
10	0044 84	Red	1
10	0044 85	Orange	1
10	0044 86	Blue	1
10	0044 87	Colourless	1
10	0044 88	Green + red	1
Double			
Three phase voltage indicator Supplied with 230/400 V~ non-replacement lamps			
2	0031 43	3 colourless neon lamps	0.5
Accessories			
Replacement lamps E10 - 1.2 W			
10	0044 32	8/12 V incandescent	
10	0044 33	24 V incandescent	
10	0044 36	230 V neon	
10	0044 37	230 V fluo for blue and green diffusers	



4130 91



4130 98

Technical information and dimensions **opposite and p. 103**

In the event of an overload, switch off the power supply and allow the transformer to cool down before switching on again
Wall or rail mounted

Pack	Cat. Nos.	Bell transformers								
		Conform to IEC/EN 61558-2-8 Supplied with label holder Protected against overloads and short circuits Power to 8 V-12 V or 24 V access control devices such as bells and chimes Possibility for supply busbars to run through (Cat. Nos. 4130 90/91)								
		230 V / 8 V								
		<table border="1"> <thead> <tr> <th>Secondary (V)</th> <th>Rating (A)</th> <th>Power (VA)</th> <th>Number of 17.5 mm modules</th> </tr> </thead> <tbody> <tr> <td>8 V~</td> <td>0.5 A</td> <td>4 VA</td> <td>2</td> </tr> </tbody> </table>	Secondary (V)	Rating (A)	Power (VA)	Number of 17.5 mm modules	8 V~	0.5 A	4 VA	2
Secondary (V)	Rating (A)	Power (VA)	Number of 17.5 mm modules							
8 V~	0.5 A	4 VA	2							
1	4130 90									
		230 V / 12 V - 8 V								
		<table border="1"> <thead> <tr> <th>Secondary (V)</th> <th>Rating (A)</th> <th>Power (VA)</th> <th>Number of 17.5 mm modules</th> </tr> </thead> <tbody> <tr> <td>12/8 V~</td> <td>0.66/1 A</td> <td>8 VA</td> <td>2</td> </tr> </tbody> </table>	Secondary (V)	Rating (A)	Power (VA)	Number of 17.5 mm modules	12/8 V~	0.66/1 A	8 VA	2
Secondary (V)	Rating (A)	Power (VA)	Number of 17.5 mm modules							
12/8 V~	0.66/1 A	8 VA	2							
1	4130 91									
		230 V / 24 V - 12 V								
		<table border="1"> <thead> <tr> <th>Secondary (V)</th> <th>Rating (A)</th> <th>Power (VA)</th> <th>Number of 17.5 mm modules</th> </tr> </thead> <tbody> <tr> <td>24/12 V~</td> <td>1/1.5 A</td> <td>24/18 VA</td> <td>4</td> </tr> </tbody> </table>	Secondary (V)	Rating (A)	Power (VA)	Number of 17.5 mm modules	24/12 V~	1/1.5 A	24/18 VA	4
Secondary (V)	Rating (A)	Power (VA)	Number of 17.5 mm modules							
24/12 V~	1/1.5 A	24/18 VA	4							
1	4130 93									

Pack	Cat. Nos.	Safety transformers																																			
		Conform to IEC/EN 61558-2-6 Supplied with label holder Protected against overloads and short circuits Power to 12 V or 24 V devices such as modular power contactors, latching relays and signalling units																																			
		230 V / 12 or 24 V																																			
		<table border="1"> <thead> <tr> <th>P (VA)</th> <th>No-load loss (W)</th> <th>Voltage % drop Cos φ = 1</th> <th>Efficiency % Cos φ = 1</th> <th>U_{cc} (%)</th> <th>I (A) primary loaded</th> <th>Number of 17.5 mm modules</th> </tr> </thead> <tbody> <tr> <td>16</td> <td>2.5</td> <td>34.6</td> <td>60</td> <td>27.5</td> <td>0.10</td> <td>4</td> </tr> <tr> <td>25</td> <td>2.5</td> <td>29</td> <td>66</td> <td>23.3</td> <td>0.14</td> <td>4</td> </tr> <tr> <td>40</td> <td>4</td> <td>17.9</td> <td>68</td> <td>14.4</td> <td>0.22</td> <td>5</td> </tr> <tr> <td>63</td> <td>4</td> <td>15.7</td> <td>75</td> <td>13.6</td> <td>0.33</td> <td>5</td> </tr> </tbody> </table>	P (VA)	No-load loss (W)	Voltage % drop Cos φ = 1	Efficiency % Cos φ = 1	U _{cc} (%)	I (A) primary loaded	Number of 17.5 mm modules	16	2.5	34.6	60	27.5	0.10	4	25	2.5	29	66	23.3	0.14	4	40	4	17.9	68	14.4	0.22	5	63	4	15.7	75	13.6	0.33	5
P (VA)	No-load loss (W)	Voltage % drop Cos φ = 1	Efficiency % Cos φ = 1	U _{cc} (%)	I (A) primary loaded	Number of 17.5 mm modules																															
16	2.5	34.6	60	27.5	0.10	4																															
25	2.5	29	66	23.3	0.14	4																															
40	4	17.9	68	14.4	0.22	5																															
63	4	15.7	75	13.6	0.33	5																															
1	4130 95																																				
1	4130 96																																				
1	4130 97																																				
1	4130 98																																				

Operating principle

Bell transformers

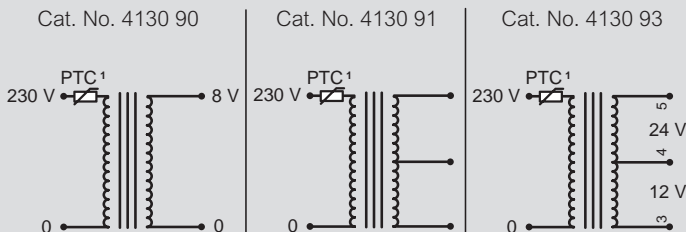
Safety isolating transformer with secondary voltage not permanently exceeding 24 V and for a non permanent usage

Power to 8 V-12 V or 24 V access control devices such as:

- bell
- chime
- door release
- optical electrical barrier

Also:

- flood detector
- temperature rise detector

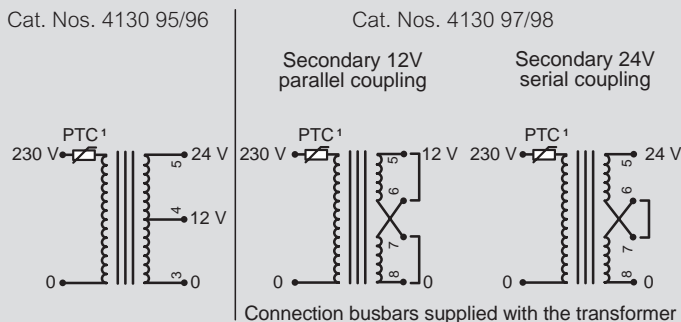


Safety transformers

Designed to protect people from electric shocks by using extra low voltage (ELV $U_{sec} \leq 50 V$)

Power to 12 or 24 V devices such as:

- relay
- modular power contactor
- signalling unit
- latching relay



Connection busbars supplied with the transformer

1 : PTC refer to general characteristics

Fixings

Wall or DIN rail 7.5 or 15 mm² depth for 4 module units
 Rail DIN 7.5 or 15 mm² depth for 2 and 5 module units

2 : Remove with tool

Connection

	Primary flexible or rigid	Secondary flexible or rigid
	1 to 4 mm ²	1 to 4 mm ²
	1 to 4 mm ²	1 to 4 mm ²

Download the full file at

<http://assets.kempstoncontrols.com/doc/Legrand%20Industrial%20and%20power%20protection%20catalogue.pdf>



KEMPSTON
CONTROLS