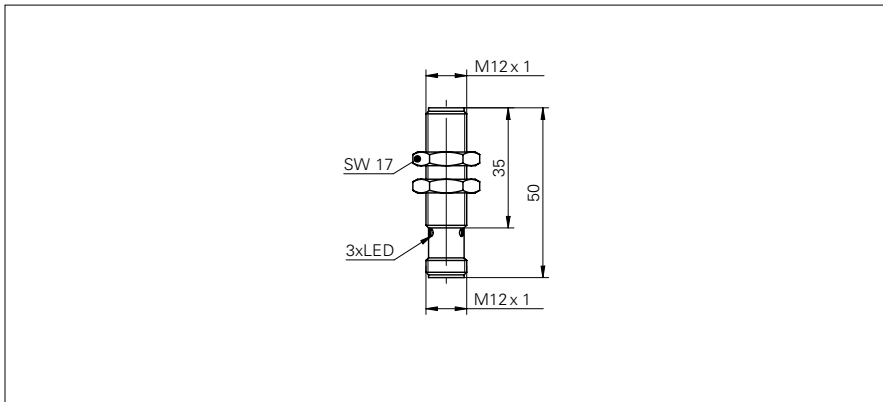


## Inductive sensors special versions

## IFRD 12P17A3/S14L

## dimension drawing



## general data

mounting type	quasi-flush
special type	full metal housing (DuroProx)
nominal sensing distance $S_n$	4 mm
hysteresis	2 ... 20 % of $S_r$
output indicator	3 port LED red

## electrical data

switching frequency	< 100 Hz
voltage supply range +Vs	10 ... 30 VDC
current consumption max. (no load)	14 mA
output circuit	PNP make function (NO)
voltage drop $V_d$	< 2 VDC
output current	< 200 mA
short circuit protection	yes
reverse polarity protection	yes

## mechanical data

type	cylindrical threaded
material (sensing face)	stainless steel 1.4404 (V4A)
housing material	stainless steel 1.4404 (V4A)
pressure static	< 20 bar
dimension	12 mm
housing length	50 mm
connection types	connector M12

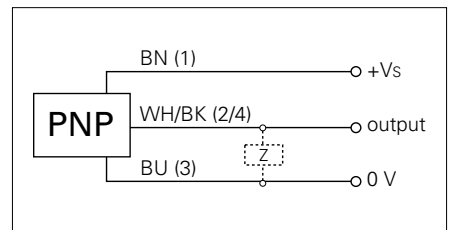
## ambient conditions

operating temperature	-25 ... +75 °C
protection class	IP 68/67 (sensing face/sensor)

## photo



## connection diagram



- Higher noise immunity (EMC), (EN 61000-6-2)