



THIS DRAWING IS CONFIDENTIAL  
AND THE COPYRIGHT OF  
COOPER (U.K.) LIMITED  
AND MUST NOT BE COPIED OR  
PASSED ON TO A THIRD PARTY  
WITHOUT WRITTEN CONSENT.



**COOPER Bussmann**

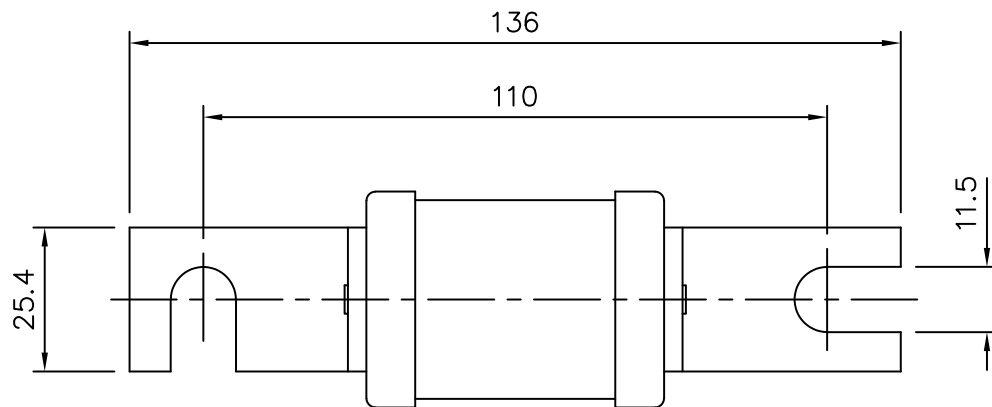
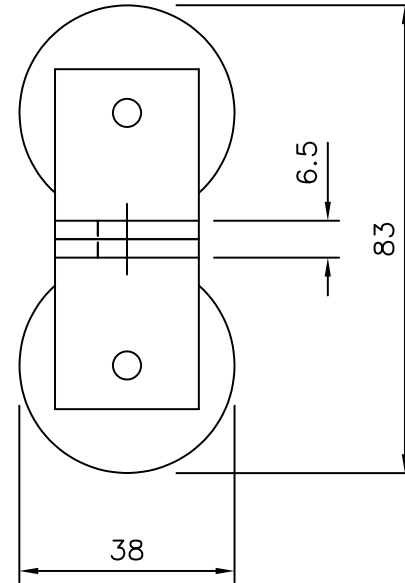
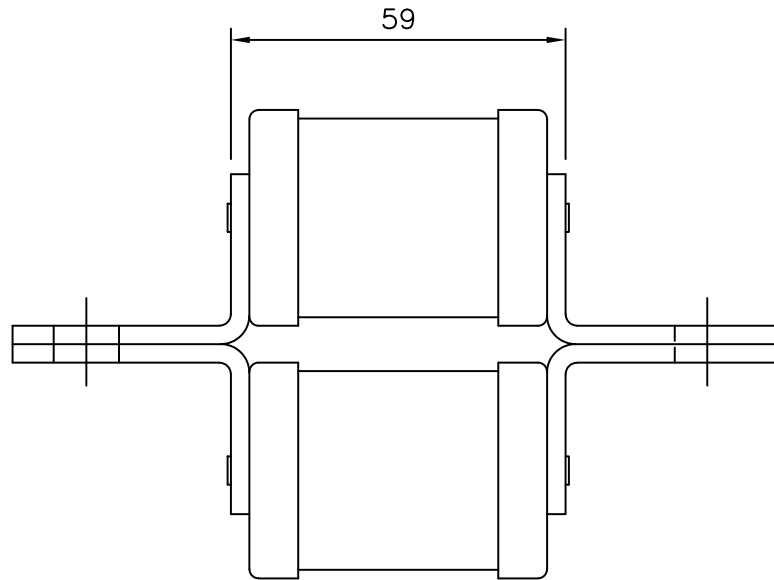


UNCONTROLLED COPY

PLEASE ENSURE THE DRAWING IS TO THE  
LATEST REVISION BEFORE COMMENCING WORK.

DRG. No. E5778596

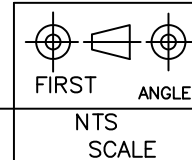
REVISIONS



IF IN DOUBT ASK

ACAD 12

DRN.	H HORTON	CHKD.
DATE	08.08.68	



Cooper (U.K.) Ltd  
BURTON-ON-THE-WOLDS,  
LEICESTERSHIRE LE12 5TH.  
FAX 01509 882786  
TEL 01509 882600

ALL DIMENSIONS IN MILLIMETRES UNLESS OTHERWISE STATED

DRG. No. E5778596

ANY UNSPECIFIED TOL.  
± 0.4mm 0.016"

OUTLINE DRAWING FOR CMMT