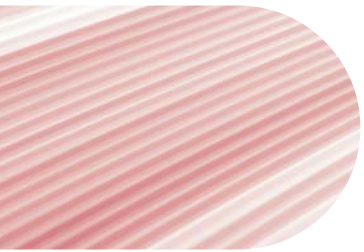
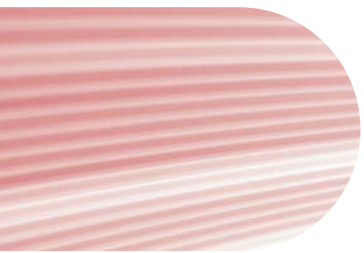


Circuit Protection & Modular Devices





Dorman Smith Switchgear Limited

With over 130 years of experience in switchgear design and production Dorman Smith Switchgear Limited continues to provide high quality equipment for low-voltage electrical distribution and circuit protection.

Our product range begins with single-pole and neutral distribution board systems and continues up to custom designed, factory built low-voltage electrical switchboards for a broad range of commercial, industrial and retrofit applications.

We continue to build on our extensive technical knowledge and awareness of customer and market demands, operating conditions and current regulations.

This breadth of experience supports the development and manufacturing techniques of our electrical products to exceed the industry standards.



Index

Content	Page No
Introduction to Dorman Smith Switchgear Limited	1
Key Features	2-3
MCB, RCBO and RCCB	4-6
MCCBs and Accessories	7-23
Surge Suppression	24-26
Modular Devices	27
Meters and Current Transformers	28-36

Circuit Protection & Modular Devices

Key Features

MCB, RCBO & RCCB

- 10/15kA Miniature Circuit breakers in B,C and D Type up to 63A
- 125A High current Miniature Circuit breaker in 3-pole C Type
- Wide range of accessories available for K Series MCBs including: shunt trip, dolly locks and auxiliary switches.
- 10kA Double module SP&SwN RCBOs up to 40A / 30mA
- 10kA Single-module RCBOs up to 45A / 30mA and 40A / 100mA
- RCCBs available in 2-pole and 4-pole versions with 100A / 100mA Time delay version

PAGES 4-6

SURGE SUPPRESSION

- Type I and Type II Surge suppression devices available for all product board ranges
- Remote indication available with some models for connection to Business Management systems
- Replaceable plug-in modules available for the DSPM Series

PAGES 24-26





MCCB

- MCCBs available from 16A 25kA to 1600A 85kA
- Wide range of frame sizes available to suit all applications
- Wide range of accessories available including: shunt trips, under-voltage release, shrouds, rotary handles and extension terminals
- General purpose enclosure available for each frame size MCCB

PAGES 7-23

METERING

- Panel mount and DIN-rail mount multi-function meters available for single-phase and three-phase application
- Matching range of current transformers and wiring loom kits
- New range of MID approved meters now available

PAGES 28-36

Circuit Protection

Loadlimiter 63 Miniature Circuit Breakers

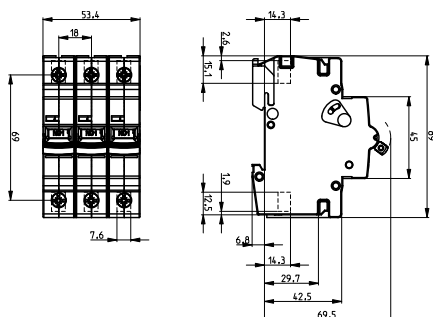
Main features

- Exceeds the requirements of EN 60898
- 10kA rated to the requirements of EN 60898
- 15kA rated to the requirements of EN 60947
- Contact position indicator
- Maximum cable termination of 35mm²
- Standard MCB widths: Single Pole = 17.5mm, Double Pole = 35mm and Triple Pole = 54mm
- High Current MCB Width = 81mm



Current Rating (A)	B Type Product Code	C Type Product Code	D Type Product Code
Single-pole MCBs			
1	-	K1PC01	-
6	K1PB06	K1PC06	K1PD06
10	K1PB10	K1PC10	K1PD10
16	K1PB16	K1PC16	K1PD16
20	K1PB20	K1PC20	K1PD20
25	K1PB25	K1PC25	K1PD25
32	K1PB32	K1PC32	K1PD32
40	K1PB40	K1PC40	T1PD40 *
50	K1PB50	K1PC50	T1PD50 *
63	K1PB63	K1PC63	T1PD63 *
Double-pole MCBs			
6	K2PB06	K2PC06	K2PD06
10	K2PB10	K2PC10	K2PD10
16	K2PB16	K2PC16	K2PD16
20	K2PB20	K2PC20	K2PD20
25	K2PB25	K2PC25	K2PD25
32	K2PB32	K2PC32	K2PD32
40	K2PB40	K2PC40	T2PD40 *
50	K2PB50	K2PC50	T2PD50 *
63	K2PB63	K2PC63	T2PD63 *
Triple-pole MCBs			
1	-	K3PC01	-
6	K3PB06	K3PC06	K3PD06
10	K3PB10	K3PC10	K3PD10
16	K3PB16	K3PC16	K3PD16
20	K3PB20	K3PC20	K3PD20
25	K3PB25	K3PC25	K3PD25
32	K3PB32	K3PC32	K3PD32
40	K3PB40	K3PC40	T3PD40 *
50	K3PB50	K3PC50	T3PD50 *
63	K3PB63	K3PC63	T3PD63 *
High Current MCB – 15kA			
125	-	K3PC125	-

Dimensions



Accessories for MCBs

Device Type	Product Code
Auxiliary Accessories	
240V AC Shunt Trip for MCB	KST240
Auxiliary / Switching contact for MCB	KAUX1
Locking Devices	
MCB Dolly locking device	KDL
Padlock for dolly locking device	XPL

* 6kA rated breaking capacity to EN 60898 and 10kA rated breaking capacity to EN 60947. Please be advised that the "T" series MCBs look physically different to the K series.

** High current MCB needs to be mounted in service centre due to the module width.

Loadlimiter 63 RCBO

Single Module RCBOs

- Exceeds the requirements of EN 61009
- 10kA rated breaking capacity
- Type AC
- Single module width = 17.5mm
- Outgoing terminal capacity is 10mm²
- Busbar side terminal capacity is 35mm²

Current Rating (A)	Sensitivity (mA)	B Type Product Code	C Type Product Code
6	30	KR1PB0630	KR1PC0630
10	30	KR1PB1030	KR1PC1030
16	30	KR1PB1630	KR1PC1630
20	30	KR1PB2030	KR1PC2030
32	30	KR1PB3230	KR1PC3230
40	30	KR1PB4030	KR1PC4030
45	30	KR1PB4530	KR1PC4530
6	100	-	KR1PC06100
10	100	-	KR1PC10100
16	100	-	KR1PC16100
20	100	-	KR1PC20100
32	100	-	KR1PC32100
40	100	-	KR1PC40100

Double Module RCBOs

- Exceeds the requirements of EN 61009
- 10kA rated breaking capacity
- SP&SwN configuration
- Contact position indicator
- Rated voltage U_e 230V
- Rated frequency is 50Hz
- Energy limiting class 3
- Type AC
- Maximum cable termination is 35mm²

Current Rating (A)	Sensitivity (mA)	B Type Product Code	C Type Product Code
6	30	KR2PB0630	KR2PC0630
10	30	KR2PB1030	KR2PC1030
16	30	KR2PB1630	KR2PC1630
20	30	KR2PB2030	KR2PC2030
32	30	KR2PB3230	KR2PC3230
40	30	KR2PB4030	KR2PC4030

Note: Please be advised that some double module RCBOs have a minimum order quantity. Please check availability with the Customer Service Team before ordering.

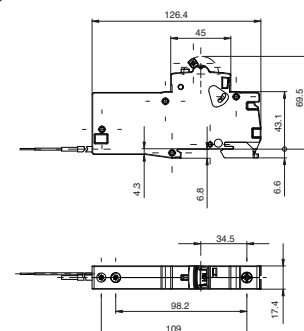
Accessories for Single Module RCBOs

Device Type	Product Code
Locking Devices	
RCBO Dolly locking device	KDL
Padlock for dolly locking device	XPL

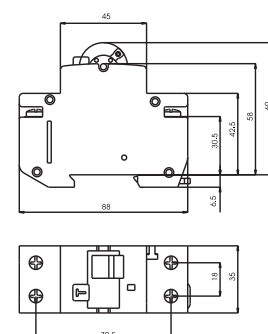


Dimensions

Single Module



Double Module



Circuit Protection

Loadlimiter 63 RCCB

Main features

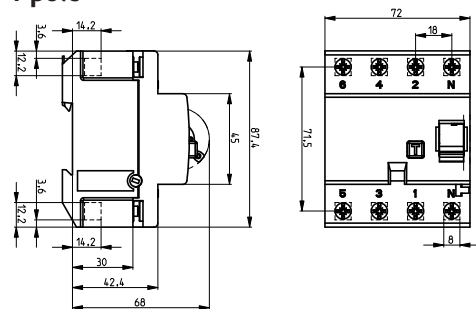
- Exceeds the requirements of EN 61008
- 230V and 400V rated
- Frequency 50 / 60Hz
- Type AC
- Double-pole width is 35mm and Four-pole width is 70mm
- 100A Time delay versions available
- Maximum cable termination for 40A to 63A is 25mm² and 100A is 35mm²



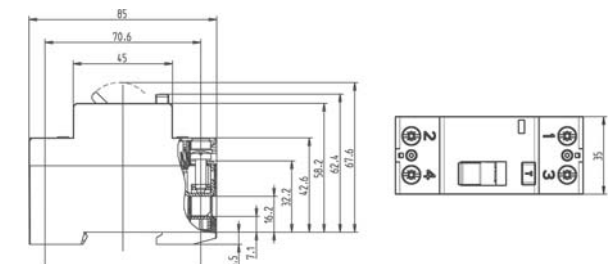
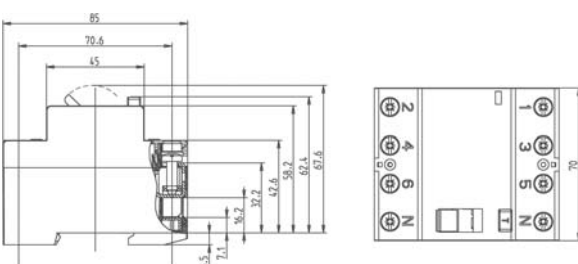
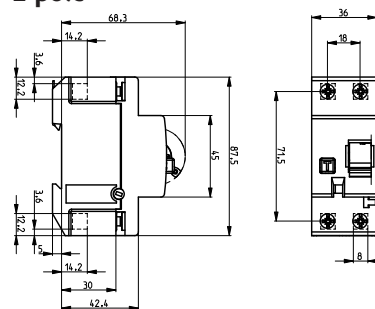
Current Rating (A)	Sensitivity (mA)	Product Code
Double-pole RCCBs		
40	30	EE40/30/2
40	100	EE40/100/2
63	30	EE63/30/2
63	100	EE63/100/2
63	300	EE63/300/2
80	30	EE80/30/2
100	30	EE100/30/2
100	100	EE100/100/2
100 Time delay	100	EES100/100/2
Four-pole RCCBs		
40	30	EE40/30/4
40	100	EE40/100/4
40	300	EE40/300/4
63	30	EE63/30/4
63	100	EE63/100/4
63	300	EE63/300/4
100	30	EE100/30/4
100	100	EE100/100/4
100	300	EE100/300/4
100 Time delay	100	EES100/100/4

Dimensions

4-pole



2-pole



Loadline MCCB YB1 Frame

Main Features

- Exceeds the requirements of EN 60947-2
- Single-pole MCCBs have fixed thermal and magnetic overloads
- Three-pole and four-pole MCCBs have adjustable thermal and fixed magnetic overloads
- Thermal overload adjusts to $1 \times I_n$, $0.8 \times I_n$ and $0.63 \times I_n$
- Ultimate breaking capacity is 25kA or 40kA at 415V AC
- Cable connection is via cable clamps and maximum cable termination is 70mm²
- Rated insulation voltage is 690V AC (Ui)

Current Rating (A)		1-pole Product Code	3-pole Product Code	4-pole Product Code
Max (A)	Min (A)			
Switch Disconnecter				
160	-	-	YB1B3P160DC	YB1B4P160DC
YB1 Frame MCCB Thermal / Magnetic - Icu 25kA				
16	10	YB1N1P16TC	-	-
20	13	YB1N1P20TC	-	-
25	16	YB1N1P25TC	YB1N3P25TC	YB1N4P25TC
32	20	YB1N1P32TC	YB1N3P32TC	YB1N4P32TC
40	25	YB1N1P40TC	YB1N1P40TC	YB1N4P40TC
50	32	YB1N1P50TC	-	-
63	40	YB1N1P63TC	YB1N3P63TC	YB1N4P63TC
80	50	YB1N1P80TC	YB1N3P80TC	YB1N4P80TC
100	63	YB1N1P100TC	YB1N3P100TC	YB1N4P100TC
125	80	YB1N1P125TC	YB1N3P125TC	YB1N4P125TC
160	100	YB1N1P160TC	YB1N3P160TC	YB1N4P160TC
YB1 Frame MCCB Thermal / Magnetic - Icu 40kA				
25	16	-	YB1S3P25TC	YB1S4P25TC
32	20	-	YB1S3P32TC*	YB1S4P32TC*
40	25	-	YB1S3P40TC	YB1S4P40TC
63	40	-	YB1S3P63TC	YB1S4P63TC
80	50	-	YB1S3P80TC	YB1S4P80TC
100	63	-	YB1S3P100TC	YB1S4P100TC
125	80	-	YB1S3P125TC	YB1S4P125TC
160	100	-	YB1S3P160TC	YB1S4P160TC

*Breakers are rated at 30kA breaking capacity.



Loadline MCCB YB1 Frame enclosure

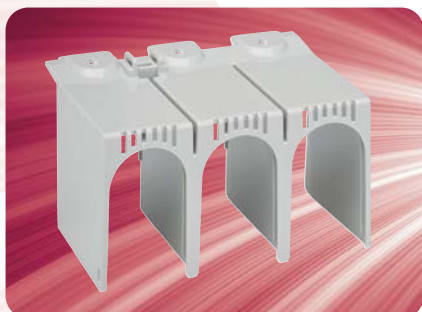
Main features

- To house YB1 MCCB up to 150A
- Meets the requirements of EN 60947-2 and EN 61439-1
- IP3X Ingress protection
- Ideal for space restricted installations
- Neutral link YB1NL available if required

Height (mm)	Width (mm)	Depth (mm)	Product Code
435	200	100	LLGPYB13



Circuit Protection



Loadline MCCB YB1 Frame accessories

Description	1 pole Product Code	3 pole Product Code	4 pole Product Code
Extension Terminals			
YB1 Flat extension terminals (Straight type)	-	YB1XT3P	YB1XT4P
YB1 Flat extension terminals (Spread type)	-	YB1XTS3P	YB1XTS4P
YB1 Rear terminals	-	YB1RT3P	YB1RT4P
Rotary Handles			
YB1 Panel mounted IP54 rotary handle for maximum 453mm panel depth (minimum 175mm)	-	YB1RH453	
Slide Interlocks			
YB1 Slide interlock for front/rear connections	-	YB1MS3P	YB1MS4P
Terminal Protection			
YB1 Terminal shroud for cable lugs	YBITS1P	YBITS3P	YBITS4P
YB1 Terminal cover for rear terminals	YBITC1P	YBITC3P	YBITC4P
YB1 Interphase barrier (1 Off)	YBITB	YBITB	YBITB
YB Terminal shroud cover lock *	YBTSCL	YBTSCL	YBTSCL
YB Handle lock – 1 pole YB1 and 3 pole YB1 / YB3 *	YBDL1	YBDL1	YBDL1
Auxiliary and Alarm Switches			
YB Auxiliary changeover switch (AC 250V / 0.1A, DC 125V / 0.4A) *	YBAUX1	YBAUX1	YBAUX1
	YBAL	YBAL	YBAL
Shunt Trips			
YB Shunt trip 100-120V AC *	-	YBST120AC	
YB Shunt trip 200-240V AC *	-	YBST240AC	
YB Shunt trip 380-450V AC *	-	YBST450AC	
YB Shunt trip 24V DC *	-	YBST24DC	
YB Shunt trip 48V DC *	-	YBST48DC	
YB Shunt trip 100-120V DC *	-	YBST120DC	
YB Shunt trip 200-240V DC *	-	YBST240DC	
Under-voltage Release			
YB Under-voltage release 100-120V AC *	-	YBUVR120AC	
YB Under-voltage release 200-240V AC *	-	YBUVR240AC	
YB Under-voltage release 380-450V AC *	-	YBUVR450AC	
YB Under-voltage release 24V DC *	-	YBUVR24DC	
YB Under-voltage release 100-120V DC *	-	YBUVR120DC	

Note: Please be advised that MCCBs can be fitted with either a shunt trip or an under-voltage release device; however the MCCB cannot house both of these together.

Loadline MCCB

YA2 Frame

Circuit Protection

Main Features

- Exceeds the requirements of EN 60947-2
- Single-pole MCCBs have fixed thermal and magnetic overloads
- Three-pole and four-pole MCCBs have adjustable thermal and magnetic overloads
- Thermal overload adjusts to 1 x In, 0.8 x In and 0.63 x In
- Ultimate breaking capacity available as 25kA, 36kA and 65kA at 415V AC
- Maximum cable termination is 50mm² with cable clamps (optional accessory)
- Maximum cable termination is 95mm² with M8 reduced palm width cable lugs
- Standard cable termination is 35mm² using M8 lugs
- Rated insulation voltage is 800V AC (Ui)

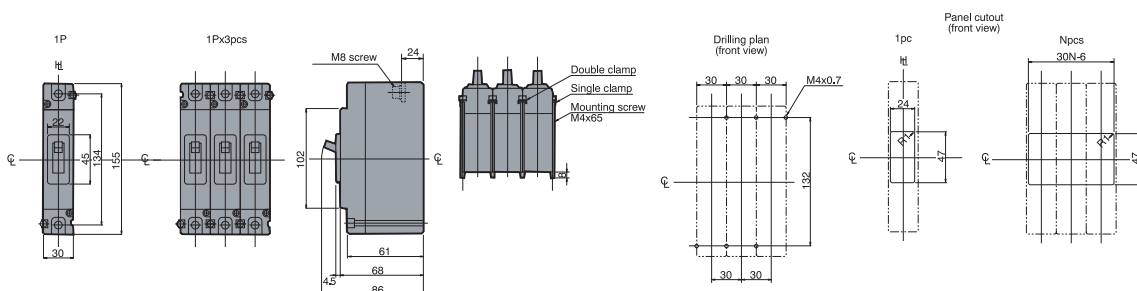


Note: Please be advised that the 25kA rated 3-pole and 4-pole YA2 frame MCCBs are due for phase out during 2014. The single-pole 25kA, three-pole and 4-pole in 36kA and 65kA rated devices will still be available as normal.

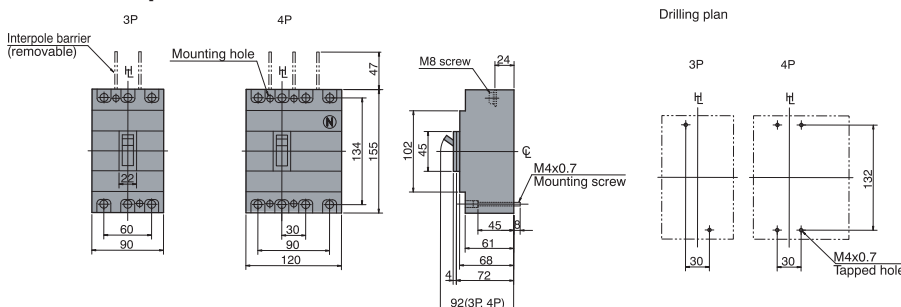
Current Rating (A)				
Max (A)	Min (A)	1-pole Product Code	3-pole Product Code	4-pole Product Code
YA2 Frame MCCB Thermal / Magnetic - Icu 25kA				
16	10	YA2N1P16T	-	-
20	13	YA2N1P20T	YA2N3P20T	YA2N4P20T
32	20	YA2N1P32T	YA2N3P32T	YA2N4P32T
50	32	YA2N1P50T	YA2N3P50T	YA2N4P50T
63	40	YA2N1P63T	YA2N3P63T	YA2N4P63T
80	50	YA2N1P80T	-	-
100	63	YA2N1P100T	YA2N3P100T	YA2N4P100T
125	80	YA2N1P125T	YA2N3P125T	YA2N4P125T
YA2 Frame MCCB Thermal / Magnetic - Icu 36kA				
50	32	-	YA2S3P50T	YA2S4P50T
63	40	-	YA2S3P63T	YA2S4P63T
100	63	-	YA2S3P100T	YA2S4P100T
125	80	-	YA2S3P125T	YA2S4P125T
YA2 Frame MCCB Thermal / Magnetic - Icu 65kA				
20	13	-	YA2J3P20T	YA2J4P20T
32	20	-	YA2J3P32T	YA2J4P32T
50	32	-	YA2J3P50T	YA2J4P50T
63	40	-	YA2J3P63T	YA2J4P63T
100	63	-	YA2J3P100T	YA2J4P100T
125	80	-	YA2J3P125T	YA2J4P125T

Dimensions

YA2 1-pole



YA2 3 and 4-pole



Loadline MCCB YA2 Frame accessories



Description	1 pole Product Code	3 pole Product Code	4 pole Product Code
Cable Clamps			
YA2 Cable clamps set	-	YA2CC3P	YA2CC4P
Terminals and Protection			
YA2 Terminal shroud for cable lugs	YA2TS1P	YA2TS3P	YA2TS4P
YA2 Interphase barrier (1 Off)	YA2TB	YA2TB	YA2TB
YA2 Terminal shroud for cable clamps	YA2TS1P	YA2TS3P	YA2TS4P
YA2 Rear terminals	-	YA2RT3P	YA2RT4P
YA2 Extension terminals	-	YA2XT3P	YA2XT4P
Plug-in Units			
YA2 Plug-in MCCB conversion	-	YA2PT3P	YA2PT4P
YA2 Plug-in base	-	YA2PB3P	YA2PB4P
YA2 Plug-in base extension terminals	-	YA2PXT3P	YA2PXT4P
YA2 Plug-in base right angle terminals	-	YA2PRA3P	YA2PRA4P
Accessories			
YA2 Handle lock (3 and 4 pole only)	-	YADL1	YADL1
YA2 Neutral link	YA2NL	YA2NL	YA2NL
YA2 Panel mounted rotary handle for maximum 453mm panel depth	-	YA2RH453	YA2RH453
Shunt Trips			
YA Frame 100-120V AC *	-	YAST115AC	YAST115AC
YA Frame 200-240V AC *	-	YAST240AC	YAST240AC
YA Frame 380-450V AC *	-	YAST450AC	YAST450AC
YA Frame 24V DC *	-	YAST24DC	YAST24DC
Auxiliary and Alarm Switches			
YA Auxiliary changeover switch (AC 240V/3A, DC 125V/0.4A) *	-	YAAUX1	YAAUX1
YA Alarm trip indicator changeover switch (AC 240V/3A, DC 125V/0.4A) *	-	YAAL	YAAL
Under-voltage Release			
YA Frame Under-voltage release 100-120V AC *	-	YAUVR120AC	YAUVR120AC
YA Frame Under-voltage release 200-240V AC *	-	YAUVR240AC	YAUVR240AC
YA Frame Under-voltage release 380-450V AC *	-	YAUVR450AC	YAUVR450AC
YA Frame Under-voltage release 24V DC *	-	YAUVR24DC	YAUVR24DC
Motors and Interlocks			
YA2 Motor actuator 100-110V AC	-	YA2MA110	YA2MA110
YA2 Motor actuator 200-240V AC	-	YA2MA240	YA2MA240
YA2 Mechanical interlock, link type for RHS MCCB	-	YA2MLR	YA2MLR
YA2 Mechanical interlock, link type for LHS MCCB	-	YA2ML3PL	YA2ML4P
YA2 Mechanical interlock, manual slide type (3 Pole or 4 Pole)	-	YA2MS3P	YA2MS4P
YA2 Mechanical interlock, wire type mechanism (1 per MCCB required)	-	YA2MW	

Note: Please be advised that MCCBs can be fitted with either a shunt trip or an under-voltage release device; however the MCCB cannot house both of these together.

* Common accessories for YA2, YA3 and YA5 frame MCCBs.

Loadline MCCB YA3 Frame

Main Features

- Exceeds the requirements of EN 60947-2
- Single-pole MCCBs have fixed thermal and magnetic overloads
- Three-pole and four-pole MCCBs have adjustable thermal and magnetic overloads
- Thermal overload adjusts to 1 x I_n, 0.8 x I_n and 0.63 x I_n
- Ultimate breaking capacity available as 25kA, 36kA and 65kA at 415V AC
- Maximum cable termination is 120mm² with cable clamps (optional accessory)
- Maximum cable termination is 150mm² with M8 reduced palm width cable lugs
- Standard cable terminations is 95mm² using M8 lugs
- Rated insulation voltage is 800V AC (Ui)

Current Rating (A)				
Max (A)	Min (A)	1-pole Product Code	3-pole Product Code	4-pole Product Code
Switch Disconnecter				
250	-	-	YA3B3P250D	YA3B4P250D
YA3 Frame MCCB Thermal / Magnetic - Icu 25kA				
16	16	YA3NIP16T	-	-
20	13	YA3NIP20T	YA3N3P20T	YA3N4P20T
32	20	YA3NIP32T	YA3N3P32T	YA3N4P32T
40	25	YA3NIP40T	-	-
50	32	YA3NIP50T	YA3N3P50T	YA3N4P50T
63	40	YA3NIP63T	YA3N3P63T	YA3N4P63T
80	50	YA3NIP80T	-	-
100	63	YA3NIP100T	YA3N3P100T	YA3N4P100T
125	80	YA3NIP125T	YA3N3P125T	YA3N4P125T
160	100	YA3NIP160T	YA3N3P160T	YA3N4P160T
200	125	-	YA3N3P200T	YA3N4P200T
250	160	-	YA3N3P250T	YA3N4P250T
YA3 Frame MCCB Thermal / Magnetic - Icu 36kA				
50	32	-	YA3S3P50T	YA3S4P50T
63	40	-	YA3S3P63T	YA3S4P63T
100	63	-	YA3S3P100T	YA3S4P100T
125	80	-	YA3S3P125T	YA3S4P125T
160	100	-	YA3S3P160T	YA3S4P160T
200	125	-	YA3S3P200T	YA3S4P200T
250	160	-	YA3S3P250T	YA3S4P250T
YA3 Frame MCCB Thermal / Magnetic - Icu 65kA				
50	32	-	YA3J3P50T	YA3J4P50T
63	40	-	YA3J3P63T	YA3J4P63T
100	63	-	YA3J3P100T	YA3J4P100T
125	80	-	YA3J3P125T	YA3J4P125T
160	100	-	YA3J3P160T	YA3J4P160T
200	125	-	YA3J3P200T	YA3J4P200T
250	160	-	YA3J3P250T	YA3J4P250T

Note: Please be advised that the 25kA and 36kA rated 3-pole and 4-pole YA3 frame MCCBs are due for phase out during 2014. These have been replaced with the new YB3 Frame size MCCBs. The single-pole 25kA, three-pole and 4-pole 65kA rated devices will still be available as normal.



Loadline MCCB YA3 Frame accessories



Description	1 pole Product Code	3 pole Product Code	4 pole Product Code
Cable Clamps			
YA3 Cable clamps set	-	YA3CC3P	YA3CC4P
Terminals and Protection			
YA3 Terminal shroud for cable lugs	YA3TS1P	YA3TS3P	YA3TS4P
YA3 Interphase barrier (1 Off)	YA3TB		
YA3 Terminal shroud for cable clamps	YA3TS1P	YA3TS3P	YA3TS4P
YA3 Rear terminals	-	YA3RT3P	YA3RT4P
YA3 Extension terminals	-	YA3XT3P	YA3XT4P
Plug-in Units			
YA3 Plug-in MCCB conversion	-	YA3PT3P	YA3PT4P
YA3 Plug-in base	-	YA3PB3P	YA3PB4P
YA3 Plug-in base extension terminals	-	YA3PXT3P	YA3PXT4P
YA3 Plug-in base right angle terminals	-	YA3PRA3P	YA3PRA4P
Accessories			
YA3 Handle lock (3 and 4 pole only)	-	YADL1	
YA3 Neutral link	-	YA3NL	
YA3 Panel mounted rotary handle for maximum 453mm panel depth	-	YA3RH453	
Shunt Trips			
YA Frame 100-120V AC *	-	YAST115AC	
YA Frame 200-240V AC *	-	YAST240AC	
YA Frame 380-450V AC *	-	YAST450AC	
YA Frame 24V DC *	-	YAST24DC	
Auxiliary and Alarm Switches			
YA Auxiliary changeover switch (AC 240V/3A, DC 125V/0.4A) *	-	YAAUX1	
YA Alarm trip indicator changeover switch (AC 240V/3A, DC 125V/0.4A) *	-	YAAL	
Under-voltage Release			
YA Frame Under-voltage release 100-120V AC *	-	YAUVR120AC	
YA Frame Under-voltage release 200-240V AC *	-	YAUVR240AC	
YA Frame Under-voltage release 380-450V AC *	-	YAUVR450AC	
YA Frame Under-voltage release 24V DC *	-	YAUVR24DC	
Motors and Interlocks			
YA3 Motor actuator 100-110V AC	-	YA3MA110	
YA3 Motor actuator 200-240V AC	-	YA3MA240	
YA3 Mechanical interlock, link type for RHS MCCB	-	YA3MLR	
YA3 Mechanical interlock, link type for LHS MCCB	-	YA3ML3PL	YA3ML4P
YA3 Mechanical interlock, manual slide type (3 Pole or 4 Pole)	-	YA3MS3P	YA3MS4P
YA3 Mechanical interlock, wire type mechanism (1 per MCCB required)	-	YA3MW	

Note: Please be advised that MCCBs can be fitted with either a shunt trip or an under-voltage release device; however the MCCB cannot house both of these together.

* Common accessories for YA2, YA3 and YA5 frame MCCBs.

Loadline MCCB YB3 Frame

Main Features

- Exceeds the requirements of EN 60947-2
- Single-pole MCCBs have fixed thermal and magnetic overloads
- Three-pole and four-pole MCCBs have adjustable thermal and magnetic overloads
- Thermal overload adjusts to 1 x In, 0.8 x In and 0.63 x In
- Ultimate breaking capacity available as 25kA and 40kA at 415VAC
- Maximum cable termination is 120mm² with cable clamps (optional accessory)
- Maximum cable termination is 150mm² with M8 reduced palm width cable lugs
- Standard cable termination is 95mm² using M8 lugs
- Rated insulation voltage is 800V AC (Ui)

Current Rating (A)		3-pole Product Code	4-pole Product Code
Max (A)	Min (A)		
Switch Disconnector			
250	-	YB3B3P250D	YB3B4P250D
YB1 Frame MCCB Thermal / Magnetic - Icu 25kA			
20	13	YB3N3P20T	YB3N4P20T
32	20	YB3N3P32T	YB3N4P32T
40	25	-	-
50	32	YB3N3P50T*	YB3N4P50T*
63	40	YB3N3P63T*	YB3N4P63T*
80	50	-	-
100	63	YB3N3P100T	YB3N4P100T
125	80	YB3N3P125T	YB3N4P125T
160	100	YB3N3P160T	YB3N4P160T
200	125	YB3N3P200T	YB3N4P200T
250	160	YB3N3P250T	YB3N4P250T
YA3 Frame MCCB Thermal / Magnetic - Icu 40kA			
50	32	YB3S3P50T*	YB3S4P50T*
63	40	YB3S3P63T*	YB3S4P63T*
100	63	YB3S3P100T	YB3S4P100T
125	80	YB3S3P125T	YB3S4P125T
160	100	YB3S3P160T	YB3S4P160T
200	125	YB3S3P200T	YB3S4P200T
250	160	YB3S3P250T	YB3S4P250T

* 50A and 63A YB3 Frame MCCBs have fixed magnetic overload.



Loadline MCCB YB3 Frame enclosure

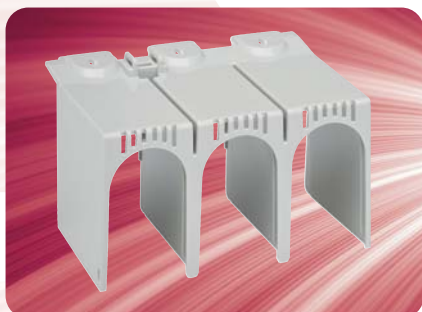
Main features

- To house YB3 MCCB up to 250A with metering facility
- Enclosure allows for DIN-rail multi-function meter and/or earth leakage device (ELR1)
- 3-in-1 and core balanced current transformers integrally housed.
- Meets the requirements of EN 60947-2 and EN 61439-1
- IP3X Ingress protection
- Height = 597mm, Width = 300mm and Depth = 115mm
- Meter mounting plate LLGPMP required for DIN-rail meter installation

Description	Product Code	Matching CT
YB3 MCCB enclosure	LLGPYB3	N/A
Meter mounting plate	LLGPMP	N/A
DIN-rail multi-function meter with pulse and Modbus	Ri3-01	M3N1-35 range
Earth Leakage Relay Device	ELR1	CBT-94F-035
Neutral Link (if required)	YA3NL	N/A



Circuit Protection



Loadline MCCB YB3 Frame accessories

Description	3 pole Product Code	4 pole Product Code
Cable Clamps		
YB3 Cable clamps (120mm ² cable)	YB3CC3P	YB3CC4P
Extension Terminals		
YB3 Flat extension terminals (Straight type)	YB3XT3P	YB3XT4P
YB3 Flat extension terminals (Spread type)	YB3XTS3P	YB3XTS4P
Rear Terminals		
YB3 Rear terminals	YB3RT3P	YB3RT4P
Motors and Interlocks		
	Standard	With Auto Reset
YB3 Motor actuator 100-110V AC	YB3MA110	YB3MA110R
YB3 Motor actuator 200-220V AC	YB3MA220	YB3MA220R
YB3 Motor actuator 230-240V AC	YB3MA240	YB3MA240R
YB3 Motor actuator 24V DC	YB3MA24DC	YB3MA24DCR
YB3 Motor actuator 48V DC	YB3MA48DC	YB3MA48DCR
YB3 Motor actuator 100-110V DC	YB3MA110DC	YB3MA110DCR
Slide Interlock		
YB3 Slide interlock for front/rear connections	YB3MS3P	YB3MS4P
Rotary Handles		
YB3 Panel mounted IP54 rotary handle for 453mm panel depth	YB3RH453	YB3RH453
Terminal Protection		
YB3 Terminal shroud for cable lugs	YB3TS3P	YB3TS4P
YB3 Terminal cover for rear terminals	YB3TC3P	YB3TC4P
YB3 Terminal shroud for cable clamps	YB3TS3PS	YB3TS4PS
YB3 Interphase barrier (Set of 1)	YB3TB	YB3TB
YB Terminal shroud cover lock *	YBTSCL	YBTSCL
YB3 Handle lock – 1 pole YB1 and 3 pole YB1 / YB3 *	YBDL1	YBDL1
Auxiliary and Alarm Switches		
YB Auxiliary changeover switch (AC 250/0.1A and DC 125V/0.4A) *	YBAUX1	YBAUX1
YB Alarm trip indicator changeover switch (AC 250/0.1A and DC 125V/0.4A) *	YBAL	YBAL
Shunt Trips		
YB Shunt trip 100-120V AC *	YBST120AC	YBST120AC
YB Shunt trip 200-240V AC *	YBST240AC	YBST240AC
YB Shunt trip 380-450V AC *	YBST450AC	YBST450AC
YB Shunt trip 24V DC *	YBST24DC	YBST24DC
YB Shunt trip 48V DC *	YBST48DC	YBST48DC
YB Shunt trip 100-120V DC *	YBST120DC	YBST120DC
YB Shunt trip 200-240V DC *	YBST240DC	YBST240DC
Under-voltage Release		
YB Under-voltage release 100-120V AC *	YBUVR120AC	YBUVR120AC
YB Under-voltage release 200-240V AC *	YBUVR240AC	YBUVR240AC
YB Under-voltage release 380-450V AC *	YBUVR450AC	YBUVR450AC
YB Under-voltage release 24V DC *	YBUVR24DC	YBUVR24DC
YB Under-voltage release 100-120V DC *	YBUVR120DC	YBUVR120DC
YB Under-voltage release 200-240V DC *	YBUVR240DC	YBUVR240DC

Note: Please be advised that MCCBs can be fitted with either a shunt trip or an under-voltage release device; however the MCCB cannot house both of these together.

* Common accessories for YB1 and YB3 frame MCCBs.

Loadline MCCB

YA5 Frame

Main Features

- Exceeds the requirements of EN 60947-2
- MCCBs have adjustable thermal and magnetic overloads
- Thermal overload adjusts to $1 \times I_n$, $0.8 \times I_n$ and $0.63 \times I_n$ for thermal / magnetic devices
- Thermal overload adjusts between $1 \times I_n$ and $0.4 \times I_n$ for electronic devices
- Electronic MCCBs are utilisation category B and are specifically intended for discrimination and have long time, short time and instantaneous trips
- Ultimate breaking capacity available as 25kA, 50kA, 65kA and 70kA electronic at 415V AC
- Maximum cable termination is 240mm² with cable clamps (optional accessory)
- Maximum cable termination is 185mm² with M10 reduced palm width cable lugs
- Rated insulation voltage is 800V AC (Ui)
- Extension terminals should be ordered separately if required
- Standard cable termination is 95mm² with M10 lugs

Current Rating (A)		3-pole Product Code	4-pole Product Code
Max (A)	Min (A)		
Switch Disconnector			
400	-	YA5B3P400D	YA5B4P400D
YA5 Frame MCCB Thermal / Magnetic - Icu 25kA			
250	157	YA5N3P250T	YA5N4P250T
400	252	YA5N3P400T	YA5N4P400T
YA5 Frame MCCB Thermal / Magnetic - Icu 50kA			
250	157	YA5H3P250T	YA5H4P250T
400	252	YA5H3P400T	YA5H4P400T
YA5 Frame MCCB Thermal / Magnetic - Icu 65kA			
250	157	YA5J3P250T	YA5J4P250T
400	252	YA5J3P400T	YA5J4P400T
YA5 Frame MCCB Electronic - Icu 70kA			
250	125	YA5K3P250E	YA5K4P250E
400	200	YA5K3P400E	YA5K4P400E



Loadline MCCB

YA5 Frame enclosure

Main features

- To house YA5 MCCB up to 400A with metering facility
- Enclosure allows for DIN-rail multi-function meter and/or earth leakage device (ELR1)
- 3-in-1 and core balanced current transformers integrally housed.
- Meets the requirements of EN 60947-2 and EN 61439-1
- IP3X Ingress protection
- Height = 750mm, Width = 360mm and Depth = 157.50mm
- Metering achieved via meter mounting plate LLGPMP

Description	Product Code	Matching CT
YA5 MCCB enclosure	LLGPYA5	N/A
Meter mounting plate	LLGPMP	N/A
DIN-rail multi-function meter with pulse and Modbus	Ri3-01	M3N1-35 range
Earth Leakage Relay Device	ELR1	CBT-94F-070
Neutral Link (if required)	YA5NL	N/A



Loadline MCCB YA5 Frame accessories



Description	3 pole Product Code	4 pole Product Code
Cable Clamps		
YA5 Cable clamps set	YA5CC3P	YA5CC4P
Terminals and Protection		
YA5 Terminal shroud for cable lugs	YA5TS3P	YA5TS4P
YA5 Interphase barrier (1 off)	YA5TB	YA5TB
YA5 Terminal cover for cable clamps	YA5TC3P	YA5TC4P
YA5 Rear terminals	YA5RT3P	YA5RT4P
YA5 Extension terminals	YA5XT3P	YA5XT4P
Plug-in Units		
YA5 Plug-in MCCB conversion	YA5PT3P	YA5PT4P
YA5 Plug-in base	YA5PB3P	YA5PB4P
YA5 Plug-in base extension terminals	YA5PXT3P	YA5PXT4P
YA5 Plug-in base right angle terminals	YA5PRA3P	YA5PRA4P
Accessories		
YA5 Dolly lock	YA5DL	YA5DL
YA5 Neutral link	YA5NL	YA5NL
YA5 Panel mounted rotary handle for maximum 456mm panel depth	YA5RH456	YA5RH456
Shunt Trips		
YA Frame 100-120V AC *	YAST115AC	YAST115AC
YA Frame 200-240V AC *	YAST240AC	YAST240AC
YA Frame 380-450V AC *	YAST450AC	YAST450AC
YA Frame 24V DC *	YAST24DC	YAST24DC
Auxiliary and Alarm Switches		
YA Auxiliary changeover switch (AC 240V/3A, DC 125V/0.4A) *	YAAUX1	YAAUX1
YA Alarm trip indicator changeover switch (AC 240V/3A, DC 125V/0.4A) *	YAAL	YAAL
Under-voltage Release		
YA Frame Under-voltage release 100-120V AC *	YAUVR120AC	YAUVR120AC
YA Frame Under-voltage release 200-240V AC *	YAUVR240AC	YAUVR240AC
YA Frame Under-voltage release 380-450V AC *	YAUVR450AC	YAUVR450AC
YA Frame Under-voltage release 24V DC *	YAUVR24DC	YAUVR24DC
Motors and Interlocks		
YA5 Motor actuator 100-110V AC	YA5MA110	YA5MA110
YA5 Motor actuator 200-240V AC	YA5MA240	YA5MA240
YA5 Mechanical interlock, link type for RHS MCCB	YA5MLR	YA5MLR
YA5 Mechanical interlock, link type for LHS MCCB	YA5ML3PL	YA5ML4PL
YA5 Mechanical interlock, manual slide type	YA5MS3P	YA5MS4P
YA5 Mechanical interlock, wire type mechanism (1 required per MCCB)	YA5MW	YA5MW

Note: Please be advised that MCCBs can be fitted with either a shunt trip or an under-voltage release device; however the MCCB cannot house both of these together.

* Common accessories for YA2, YA3 and YA5 frame MCCBs

Loadline MCCB

Y6 Frame

Main Features

- Exceeds the requirements of EN 60947-2
- MCCBs have adjustable thermal and magnetic overloads
- Thermal overload adjusts to $1 \times I_n$, $0.8 \times I_n$ and $0.63 \times I_n$ for thermal / magnetic devices
- Thermal overload adjusts between $1 \times I_n$ and $0.4 \times I_n$ for electronic devices
- Electronic MCCBs are utilisation category B and are specifically intended for discrimination and have long time, short time and instantaneous trips
- Ultimate breaking capacity available are 50kA and 85kA thermal magnetic at 415V AC
- Ultimate breaking capacity available are 50kA and 65kA electronic at 415V AC
- Maximum cable termination is 240mm² with cable clamps (optional accessory)
- Maximum cable termination is 300mm² with reduced palm width cable lugs
- Rated insulation voltage is 690V AC (Ui)
- Extension terminal bars to be ordered separately when not used with Dorman Smith enclosures. Part Code: Y6XT4P (2 required per MCCB)

Current Rating (A)		3-pole Product Code	4-pole Product Code
Max (A)	Min (A)		
Switch Disconnector			
630	-	Y6B3P630D	Y6B4P630D
800	-	Y6B3P800D	Y6B4P800D
Y6 Frame MCCB Thermal / Magnetic - Icu 50kA			
400	250	Y6H3P400T5	Y6H4P400T5
630	400	Y6H3P630T5	Y6H4P630T5
800	500	Y6H3P800T5	Y6H4P800T5
Y6 Frame MCCB Thermal / Magnetic - Icu 85kA			
400	250	Y6K3P400T5	Y6K4P400T5
630	400	Y6K3P630T5	Y6K4P630T5
800	500	Y6K3P800T5	Y6K4P800T5
Y6 Frame MCCB Electronic - Icu 50kA			
630	315	Y6H3P630E	Y6H4P630E
800	400	Y6H3P800E	Y6H4P800E
Y6 Frame MCCB Electronic - Icu 65kA			
630	315	Y6J3P630E	Y6J4P630E
800	400	Y6J3P800E	Y6J4P800E



Loadline MCCB

Y6/YA6 Frame enclosure

Main features

- To house Y6/YA6 MCCB up to 800A with metering facility
- Enclosure allows for DIN-rail multi-function meter and/or earth leakage device (ELR1)
- 3-in-1 and core balanced current transformers integrally housed.
- Meets the requirements of EN 60947-2 and EN 61439-1
- IP3X Ingress protection
- Height = 1075mm, Width = 460mm and Depth = 157.50mm
- Metering achieved via meter mounting plate LLGPMP

Description	Product Code	Matching CT
Y6/YA6 MCCB enclosure	LLGPYA6	N/A
Meter mounting plate	LLGPMP	N/A
DIN-rail multi-function meter with pulse and Modbus	Ri3-01	M93L single CT range
Earth Leakage Relay Device	ELR1	CBT-94F-105
Neutral Link (if required)	Y6NL	N/A



Loadline MCCB Y6 Frame accessories



Description	3 pole Product Code	4 pole Product Code
Cable Clamps		
Y6 Cable clamps set	Y6CC3P	Y6CC4P
Terminals and Protection		
Y6 Terminal shroud for cable lugs	Y6TS3P	Y6TS4P
Y6 Interphase barrier (1 Off)	YA5TB	
Y6 Rear terminals	Y6RT3P	Y6RT4P
Y6 Extension terminals (1 set required for each end of MCCB)	Y6XT4P	Y6XT4P
Accessories		
Y6 Handle lock	Y6DL	Y6DL
Y6 Direct mounting Castell * lock kit (including lock, DS1 symbol)	Y6CLDS1	Y6CLDS1
Y6 Direct mounting Castell * lock kit (including lock, DS2 symbol)	Y6CLDS2	Y6CLDS2
Y6 Castell * locking cam for panel mounted rotary handle	Y5DCLCAM	Y5DCLCAM
Y6 Neutral link	Y6NL	Y6NL
Y6 Panel mounted rotary handle for 483mm panel depth	Y6RH483	Y6RH483
Y6 Handle extension	Y6HE	Y6HE
Y6 Cover flange	Y5CF	Y5CF
Shunt Trips		
Y6 Frame 100-115V AC	Y6ST115AC	Y6ST115AC
Y6 Frame 200-480V AC	Y6ST480AC	Y6ST480AC
Y6 Frame 24V DC	Y6ST24DC	Y6ST24DC
Auxiliary and Alarm Switches		
Y6 Single auxiliary changeover switch (AC 250V/5A, DC 125V/0.6A)	Y6AUX1	Y6AUX1
Y6 Double auxiliary changeover switch (AC 250V/5A, DC 125V/0.6A)	Y6AUX2	Y6AUX2
Y6 Alarm trip indicator changeover switch and 1 x auxiliary (AC 250V/5A, DC 125V/0.6A)	Y6AUXAL	Y6AUXAL
Under-voltage Release		
Y6 Frame Under-voltage release 100-120V AC	Y6UVR120AC	Y6UVR120AC
Y6 Frame Under-voltage release 200-240V AC	Y6UVR240AC	Y6UVR240AC
Y6 Frame Under-voltage release 380-450V AC	Y6UVR450AC	Y6UVR450AC
Y6 Frame Under-voltage release 24V DC	Y6UVR24DC	Y6UVR24DC
Motors and Interlocks		
Y6 Motor actuator 100-110V AC	Y6MA110	Y6MA110
Y6 Motor actuator 200-240V AC	Y6MA240	Y6MA240
Y6 Mechanical interlock, manual slide type	Y6MS3P	Y6MS4P
Y6 Mechanical interlock, rear rocker type	Y6MR3P	Y6MR4P

Please contact Dorman Smith Product Management for the range of factory fitted accessories for the Y6 frame MCCBs.

Note: Please be advised that MCCBs can be fitted with either a shunt trip or an under-voltage release device; however the MCCB cannot house both of these together.

* Castell is a trademark of Castell Safety International limited.

Loadline MCCB Y7 Frame

Main Features

- Exceeds the requirements of EN 60947-2
- Electronic MCCBs have adjustable long, short and instantaneous trip functions
- Thermal overload adjusts between 1 x In and 0.4 x In for electronic devices
- Electronic MCCBs are utilisation category B and are specifically intended for discrimination and have long time, short time and instantaneous trips
- Ultimate breaking capacity is 65kA at 415V AC
- Maximum cable termination is 300mm²
- Rated insulation voltage is 690V AC (Ui)

Current Rating (A)		3-pole Product Code	4-pole Product Code
Max (A)	Min (A)		
Switch Disconnector			
1250	-	Y7B3P1250D	Y7B4P1250D
Y7 Frame MCCB Electronic - Icu 65kA			
1000	500	Y7J3P1000E	Y7J4P1000E
1250	630	Y7J3P1250E	Y7J4P1250E



Loadline MCCB Y8 Frame

Main features

- Exceeds the requirements of EN 60947-2
- Electronic MCCBs have adjustable long, short and instantaneous trip functions
- Thermal overload adjusts between 1 x In and 0.4 x In for electronic devices
- Electronic MCCBs are utilisation category B and are specifically intended for discrimination and have long time, short time and instantaneous trips
- Ultimate breaking capacity is 85kA at 415V AC
- Maximum cable termination is 300mm²
- Rated insulation voltage is 690V AC (Ui)

Current Rating (A)	Type	3 pole Product Code	4 pole Product Code
Switch Disconnector			
1600	Front Terminals	Y8B3P1600D	Y6B4P1600D
1600	Rear Terminals	Y8B3P1600DR	-
1600	Draw out	Y8B3P1600DDO	-
Y8 Frame MCCB Electronic - Icu 85kA			
1600	Front Terminals	Y8K3P1600E	Y8K4P1600E
1600	Rear Terminals	Y8K3P1600ER	-
1600	Ground fault	Y8K3P1600EG	-



Loadline MCCB Y7 and Y8 Frame accessories



Description	3 pole Product Code	4 pole Product Code
Terminals and Protection		
Y7 / Y8 Terminal shroud for cable lugs	Y7TS3P	Y7TS4P
Y7 / Y8 Interphase barrier (1 off)	YA5TB	YA5TB
Accessories		
Y7 / Y8 Handle lock	Y7DL	Y7DL
Y7 / Y8 Handle extension	Y6HE	Y6HE
Y7 Direct mounting Castell * lock kit (including lock, DS1 symbol)	Y7CLDS1	Y7CLDS1
Y7 Direct mounting Castell * lock kit (including lock, DS2 symbol)	Y7CLDS2	Y7CLDS2
Y7 Castell * locking cam for panel mounted rotary handle	Y5DCLCAM	Y5DCLCAM
Neutral link	Y7NL	Y7NL
Y7 Cover flange	Y7CF	Y7CF
Y7 Panel mounted rotary handle for 512mm panel depth	Y7RH512	Y7RH512
Y8 Panel mounted rotary handle for 532mm panel depth	Y8RH532	Y8RH532
Shunt Trips		
Y7 / Y8 Frame 100-120V AC	Y7ST115AC	Y7ST115AC
Y7 / Y8 Frame 200-480V AC	Y7ST480AC	Y7ST480AC
Y7 / Y8 Frame 24V DC	Y7ST24DC	Y7ST24DC
Auxiliary and Alarm Switches		
Y7 / Y8 Single auxiliary changeover switch (AC 250V/5A, DC 125V/0.6A)	Y7AUX3P1	Y7AUX4P1
Y7 / Y8 Double auxiliary changeover switch (AC 250V/5A, DC 125V/0.6A)	Y7AUX3P2	Y7AUX4P2
Y7 / Y8 Alarm trip indicator changeover switch plus 1 x auxiliary (AC 250V/5A, DC 125V/0.6A)	Y7AUX3PAL	Y7AUX4PAL
Under-voltage Release		
Y7 / Y8 Under-voltage release 100-120V AC	Y7UVR120AC	Y7UVR120AC
Y7 / Y8 Under-voltage release 200-240V AC	Y7UVR240AC	Y7UVR240AC
Y7 / Y8 Under-voltage release 380-450V AC	Y7UVR450AC	Y7UVR450AC
Y7 / Y8 Under-voltage release 24V DC	Y7UVR24DC	Y7UVR24DC
Motors and Interlocks		
Y7 / Y8 Motor actuator 100-110V AC	Y7MA110	Y7MA110
Y7 / Y8 Motor actuator 200-240V AC	Y7MA240	Y7MA240

Loadline MCCB Y7/YA7 Frame enclosure

Main features

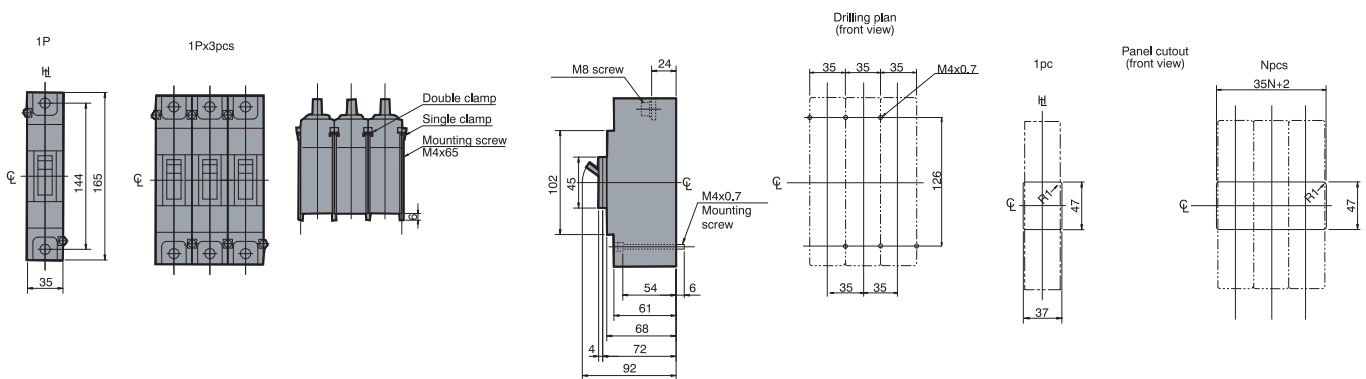
- To house Y7/YA7 MCCB up to 1000A with metering facility
- Enclosure allows for DIN-rail multi-function meter and/or earth leakage device (ELR1)
- Single and core balanced current transformers integrally housed.
- Meets the requirements of EN 60947-2 and EN 61439-1
- IP3X Ingress protection
- Height = 1165mm, Width = 500mm and Depth = 210mm
- Metering achieved via meter mounting plate LLGPMP

Description	Product Code	Matching CT
Y7/YA7 MCCB enclosure	LLGPYA7	N/A
Meter mounting plate	LLGPMP	N/A
DIN-rail multi-function meter with pulse and Modbus	Ri3-01	MR-85 single CT range
Earth Leakage Relay Device	ELR1	CBT-94F-140
Neutral Link (if required)	Y7NL	N/A

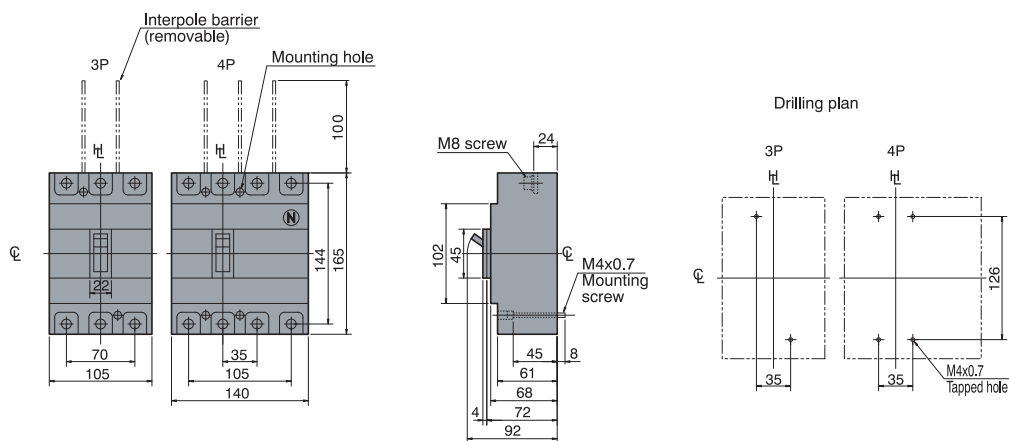
Loadline MCCB YA3, 1, 3 & 4-pole dimensions

Dimensions

YA3 1-pole



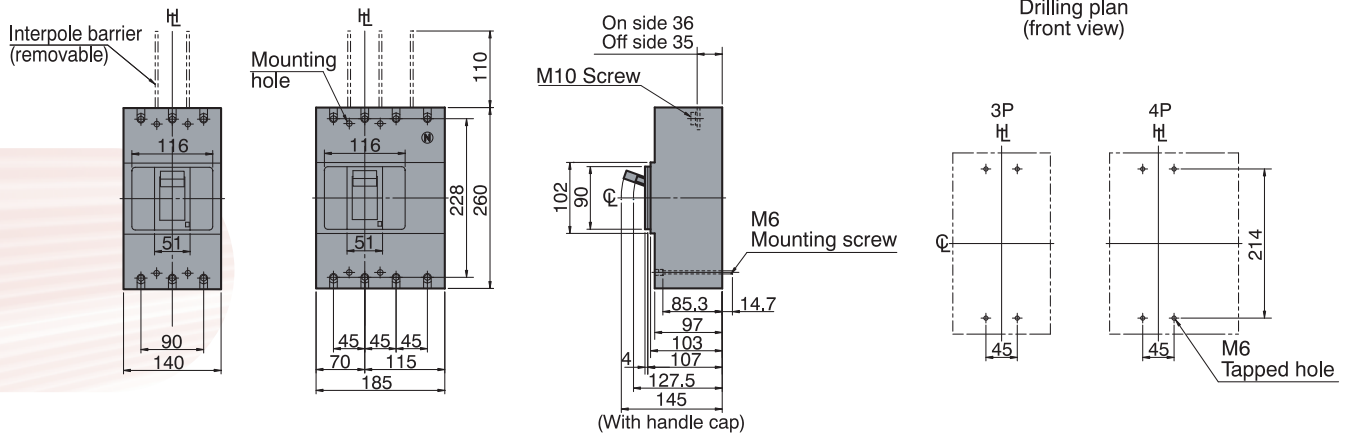
YA3 3 and 4-pole



Loadline MCCB YA5 3 and 4 pole and Y6 dimensions

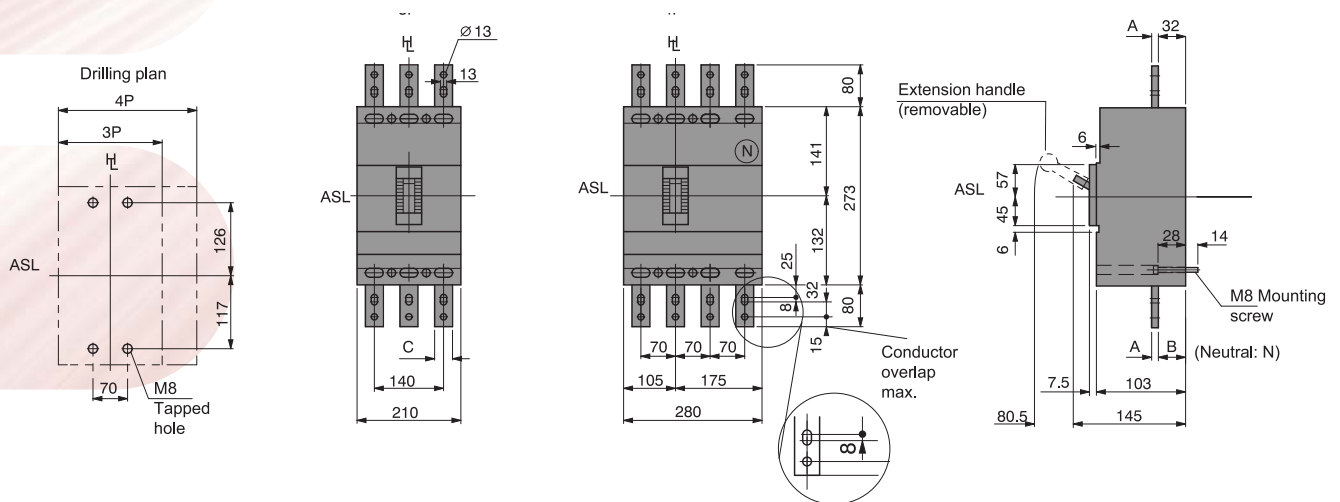
Dimensions

YA5 3 and 4-pole



Dimensions

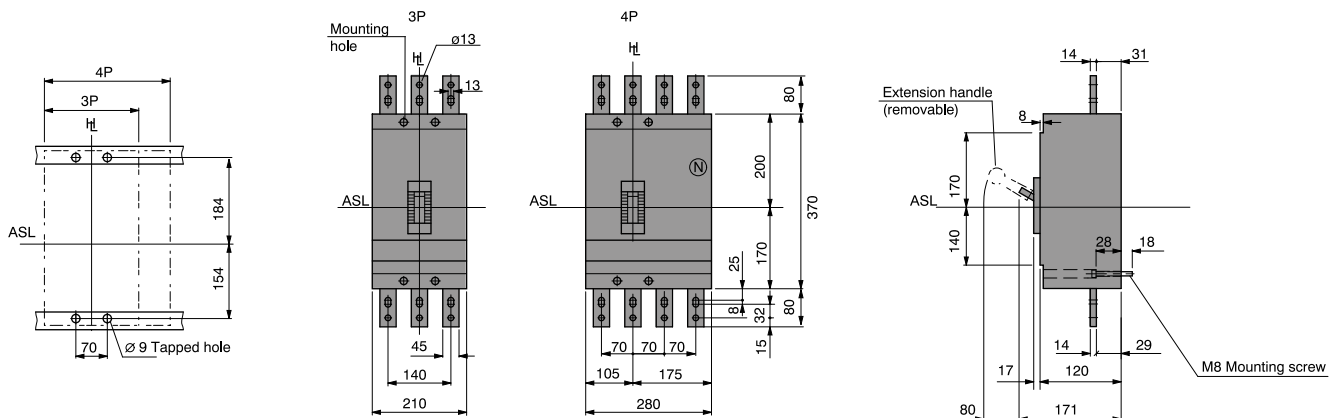
Y6 3 and 4 pole



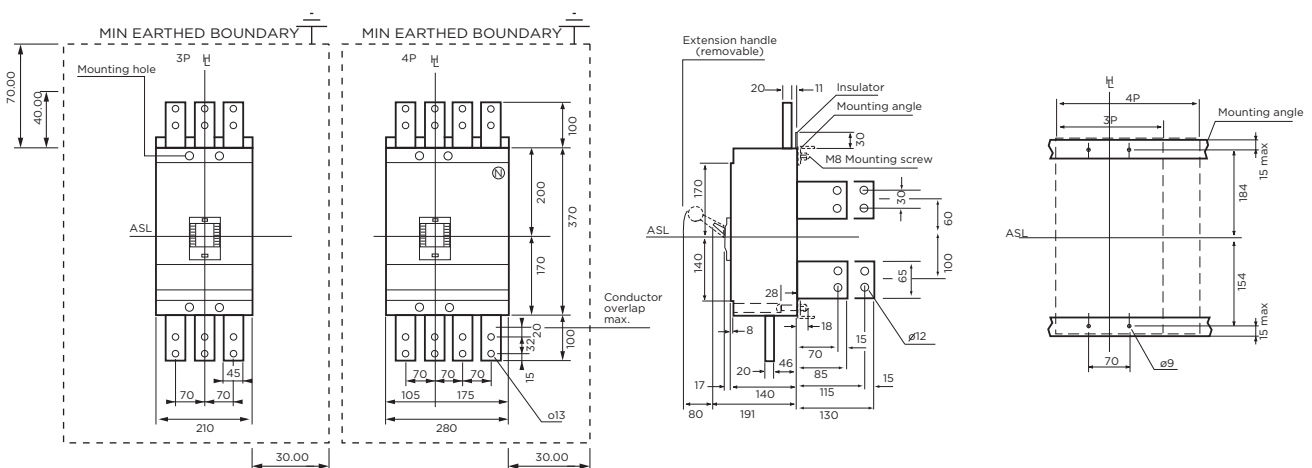
Note: Breakers with terminal bars available on request

Loadline MCCB Y7 and Y8 Frame dimensions

Dimensions Y7 3 and 4 pole



Dimensions Y8 3 and 4 pole



Type II, Class II Surge Protection DSPM Range

Main Features

- Type II Class II surge suppression device
- Meets the requirements of EN 62305-4:2006 and EN 61643-11/12
- DIN-rail mountable to EN 50022
- Replacement plug-in modules available
- Protection status indication
- Ingress protection rating of IP20
- Remote indication option available



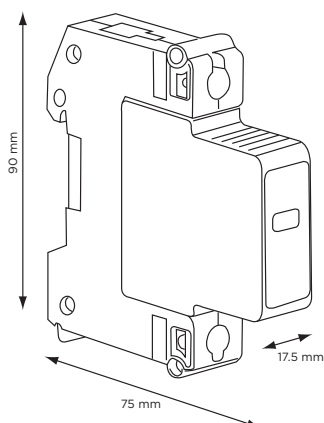
Description	Width (mm)	Product Code
40kA 1-phase with neutral/earth module	35	DSPM1PN
40kA 1-phase with neutral/earth module and remote indication	35	DSPM1PNR
40kA 3-phase with neutral/earth module	70	DSPM3PN
40kA 3-phase with neutral/earth module and remote indication	70	DSPM3PNR
40kA 1-phase (no neutral/earth module)	17.5	DSPM1P
40kA 3-phase (no neutral/earth module)	52.5	DSPM3P
MOV replacement plug-in for phase module	17.5	DSPML
MOV replacement plug-in for neutral/earth module	17.5	DSPMNE

Specification

Description	Product Code
Surge handling capability (8/20ms)	40kA
Surge protection technology	MOV
Nominal voltage rating	1-phase at 230V rms 3-phase at 415V rms
Maximum continuous operating voltage	1-phase is 200-300V 3-phase is 380-515V
Frequency	48-62 Hz
Maximum current rating	Not applicable as parallel connection
Nominal discharge current, I_n (8/20ms)	40kA
Maximum surge current handling, I_{max} (8/20ms)	40kA
Response time	<10ns
Short-circuit withstand capability	40kA with maximum backup fuse (100A gL/gG)
Thermal overload protection	120°C
Nominal power consumption	<10mA
Operating temperature	-40°C to +70°C
Protection at 5kA, U_p (8/20ms)	<1100V peak
Protection at I_{max} (8/20ms)	<1600V peak
Replaceable modules	2 pin plug-in modules available
Protection status indication	Mechanical flag mechanism: Green = Full protection Red = No protection
Remote status indication option	Hard wired
Remote indication connections	Volt free N/O or N/C contacts
Terminals	Base = 16-35mm ² Remote indicator = 2.5mm ² maximum
Remote signalling terminals	230V rms 1A; 30V DC 2A
Module and base material	Flame retardant ABS
Device style	35mm ² Din-rail mounted to EN 50022
Category classification EN 61643-11	SPD Type 2
Ingress Protection rating	IP20

Note: It is recommended that this surge suppression device be installed on the load side of a 63A Type C MCB for protection.

Dimensions



Type II, Class II Surge Protection DSPE Range

Modular Devices

Main Features

- Type II Class II surge suppression device
- Meets the requirements of EN 62305-4:2006 and EN 61643-11/12
- Low “let through” voltage of 600V
- Two stage (redundant) protection with pre-failure indication
- Full protection status with remote signalling
- Remote monitoring version available with 1 metre cable
- Easy installation and field serviceability
- Compact size and footprint

Description	Product Code
30kA 2-Stage, 3-pole surge protector	DSPE600
30kA 2-Stage, 3-pole surge protector with remote terminals and monitoring unit	DSPE600R
30kA 2-Stage, 3-pole surge protector with auxiliary contact	DSPE600N
Enclosure for DSPM units	2IP-7-0244

Specification

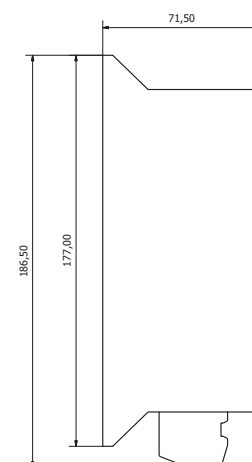
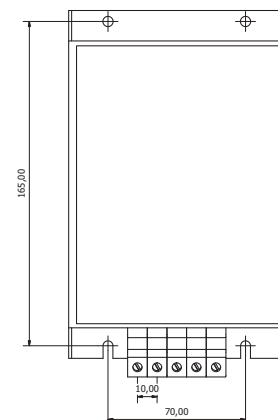
Description	Product Code
Voltage rating (Nominal), Un	400V rms
Maximum continuous operating voltage, Uc	L-N 200-300V rms L-L 350-500V rms
Maximum load current rating	Unlimited (parallel connection)
Maximum surge current (8/20ms)	30kA per phase
Response time	<10ns
Power consumption (nominal)	18mA per phase
Leakage current to earth	600mA
Terminals	Line, neutral & earth is 16mm ² (maximum) Remote signalling is 2.5mm ² (maximum)
Remote signalling terminals	Rated at 230V rms, 0.2A or 30V DC 2A
Operating temperature	-40°C to +70°C
LED status indication	Green = Full protection Red & Green = Reduced protection Red = No protection
Site fault condition indicator	Red – Lit or flashing means check Neutral / Earth supply
Case	Steel – Epoxy paint
Type according to BS EN 61643-11	SPD Type 2
Dimensions	Height = 176mm Width = 110mm Depth = 72mm
Weight	1.11 kgs

Note: It is recommended that this surge suppression device be installed on the load side of a 63A Type C MCB for protection.

Maximum backup fuse 100A gL/gG.
Maximum backup fuse 50A gL/gG.



Dimensions



Type I, Class I or Type II, Class II Surge Protection, DSPT Range

Main features

- Type I Class I surge suppression device
- Meets the requirements of EN 62305 and EN 61643-1
- Remote terminals fitted as standard



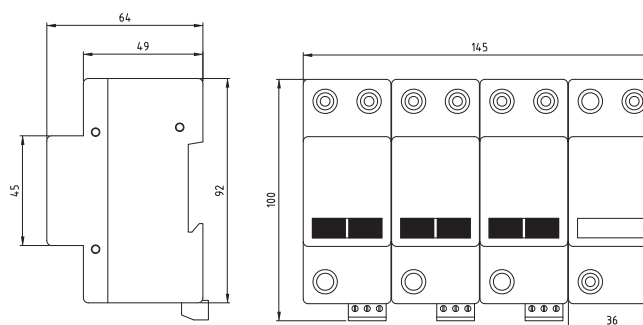
Description	Product Code
1-phase & neutral, 25kA L-N, 25kA surge protector	DSPT1PN
3-phase & neutral, 25kA L-N, 100kA surge protector	DSPT3PN

Specification

Parameter	1-phase & neutral	3-phase & neutral
Maximum continuous operating voltage (Uc)	275V AC rms	275V AC rms
Temporary overvoltage (Ut), L-N	335V / 5 seconds	335V / 5 seconds
Temporary overvoltage (Ut), N-PE	1200V / 0.2 seconds	1200V / 0.2 seconds
Response time L-N	<25ns	<25ns
Response time N-PE	<100ns	<100ns
Maximum backup fuse	315A gL/gG	315A gL/gG
Maximum backup fuse when 'V' connected	63A gL/gG	63A gL/gG
Short-circuit withstand capability at maximum backup fuse (Ip)	80kA rms	80kA rms
Lightning impulse current 10/350ms, L-N (Iimp)	12.5kA	25kA
• Charge (Q)	6As	12.5As
• Specific energy (W/R)	36kJ/Ω	156kJ/Ω
Lightning impulse current 10/350ms, N-PE (Iimp)	25kA	100kA
• Charge (Q)	12.5As	50As
• Specific energy (W/R)	156kJ/Ω	2500kJ/Ω
Total lightning current, 10/350ms (Itotal), L1, L2, L3, N-PE	25kA	100kA
Maximum discharge current, 8/20ms, (Imax), L-N	90kA	120kA
Maximum discharge current, 8/20ms, (Imax), N-PE	50kA	120kA
Nominal discharge current, 8/20ms (In)	25kA	50kA
Voltage protection level at Iimp (Up)	<1.2kV	<1.2kV
Dimensions	Height = 100mm Depth = 64mm Width = 72mm	Height = 100mm Depth = 64mm Width = 145mm

Note: It is recommended that this surge suppression device be installed on the load side of a 63A Type C MCB for protection.

Dimensions



Switch Disconnectors, Timers and Contactors

Modular Devices

Main Features

- Exceeds the requirements of EN 60947-3
- Maximum cable termination is 50mm²
- Duty category of AC22
- For installation of a 4-pole device as an incoming device for a Loadlimiter 63 TP&N distribution board then an additional connection kit is required with product code DBXCKR.

Current Rating (A)	No of Poles	Product Code
100	2	AV2100
100	3	AV3100
100	4	AV4100
125	2	AV2125
125	3	AV3125
125	4	AV4125



Modular Programmable Timer

Main Features

- 1 or 2 Channel
- Daily / Weekly programming options of up to 30 events per channel
- Maximum rating at 16A
- Backlit LCD easy read display
- Terminal ratings at IP20

Current Rating (A)	Width (mm)	Product Code
16A (AC7A)	35	DRT-DW2



Modular Contactors

Main Features

- Exceeds the requirements of EN 61095
- May require de-rating when used with inductive loads - please see Contactor de-rating table in the Technical Data catalogue for further information.

Current Rating (A)	No. of Poles	Width (mm)	Contact Status	Product Code
20	2	17.5	Normally Open	EE2P20CO
20	2	17.5	Normally Closed	EE2P20CC
25	4	54	Normally Open	EE4P25CO
25	4	54	Normally Closed	EE4P25CC
40	4	54	Normally Open	EE4P40CO
40	4	54	Normally Closed	EE4P40CC
63	4	54	Normally Open	EE4P63CO
63	4	54	Normally Closed	EE4P63CC
Ventilation Kit	-	9	-	LLMV *

*Ventilation module must be fitted between alternate pairs of contactors to prevent overheating.



Modular Devices

Single Current Transformers

Main features

- Meets the requirements of EN 60044-1
- Provided with plug-in metal feet for wall or base mounting as standard.
- DIN-clip versions available
- Up to Class 0.5 accuracy
- System voltage up to 720V
- Secondary output of 5A
- Operating temperature range from -20°C to +70°C



Additional DIN-clips are available as below:

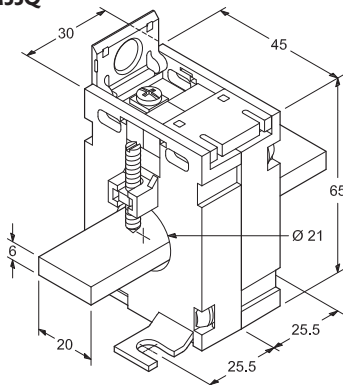
For M53Q, M53J, M63N and M93L CTs please order M30-DINCLIP (1 set required per CT).

For M55E and MBD5 CTs please order M50-DINCLIP (1 set required per CT).

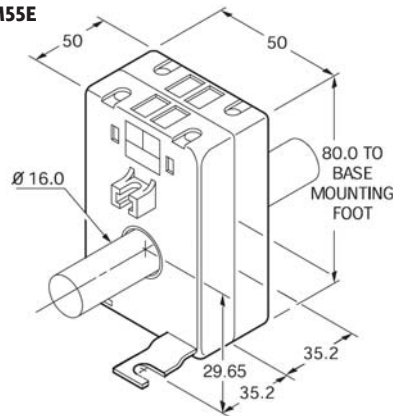
Current Rating (A)	Cable Aperture (mm)	Copper Aperture (mm)	Mounting	Product Code
100	21	Max 20 x 6	Metal plug-in feet	M53Q-100/5
125	21	Max 20 x 6	Metal plug-in feet	M53Q-125/5
30	16	Max 15 x 5	Metal plug-in feet	M55E-30/5
60	16	Max 15 x 5	Metal plug-in feet	M55E-60/5
60	16	Max 15 x 5	DIN-clip & metal plug-in feet	M55E-60/5D
100	25.6	Max 30 x 10	DIN-clip & metal plug-in feet	M53J-100/5D
125	25.6	Max 30 x 10	DIN-clip & metal plug-in feet	M53J-125/5D
200	25.6	Max 30 x 10	DIN-clip & metal plug-in feet	M53J-200/5D
250	25.6	Max 30 x 10	DIN-clip & metal plug-in feet	M53J-250/5D
400	32	Max 40 x 10	DIN-clip & metal plug-in feet	M63N-400/5D
600	32	Max 40 x 10	DIN-clip & metal plug-in feet	M63N-630/5D
800	32	Max 40 x 10	DIN-clip & metal plug-in feet	M63N-800/5D
400	42	Max 50 x 10 or 40 x 30	DIN-clip & metal plug-in feet	M93L-400/5D
600	42	Max 50 x 10 or 40 x 30	DIN-clip & metal plug-in feet	M93L-600/5D
800	42	Max 50 x 10 or 40 x 30	DIN-clip & metal plug-in feet	M93L-800/5D

Dimensions

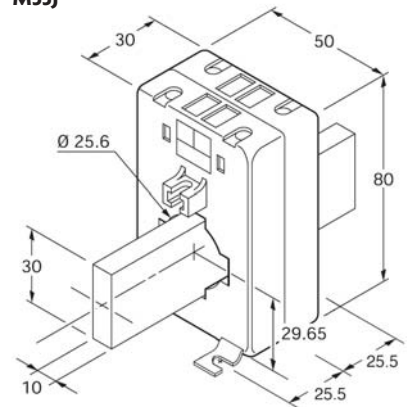
M53Q



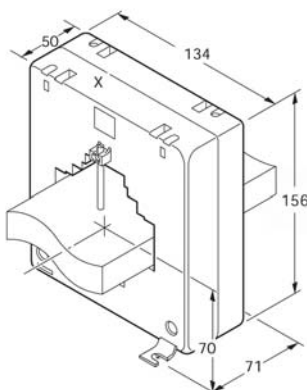
M55E



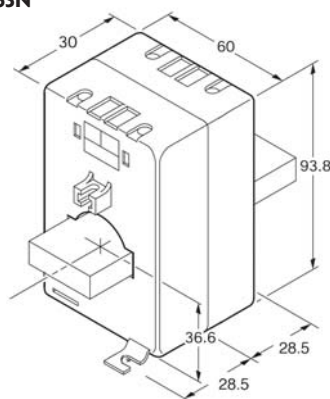
M53J



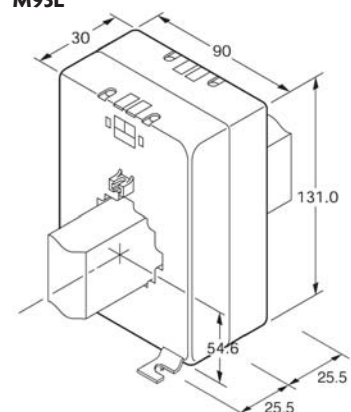
MBD5



M63N



M93L



3-in-1 Current Transformers

Main Features

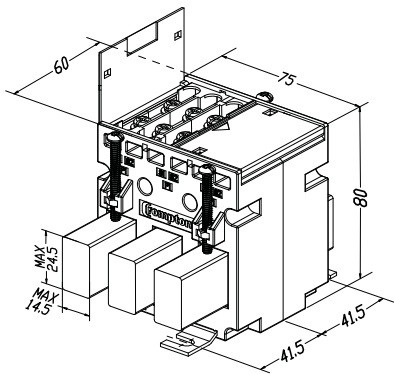
- Meets the requirements of EN 60044-1
- Provided with plug-in metal feet, DIN-rail clips and busbar mounting option as standard.
- Up to Class 0.5 accuracy
- System voltage up to 720V
- Secondary output of 5A
- Operating temperature range from -20°C to $+70^{\circ}\text{C}$

Current Rating (A)	Cable Aperture (mm)	Copper Aperture (mm)	Product Code
25mm Core 3-in-1 Current Transformers			
60	50	Max 24 x 14	M3N1-25-60/5
100	50	Max 24 x 14	M3N1-25-100/5
125	50	Max 24 x 14	M3N1-25-125/5
160	50	Max 24 x 14	M3N1-25-160/5
35mm Core 3-in-1 Current Transformers			
100	95	Max 24 x 20	M3N1-35-100/5
125	95	Max 24 x 20	M3N1-35-125/5
160	95	Max 24 x 20	M3N1-35-160/5
200	95	Max 24 x 20	M3N1-35-200/5
250	95	Max 24 x 20	M3N1-35-250/5
45mm Core 3-in-1 Current Transformers			
250	150	Max 30 x 30	M3N1-45-250/5
300	150	Max 30 x 30	M3N1-45-300/5
400	150	Max 30 x 30	M3N1-45-400/5
500	150	Max 30 x 30	M3N1-45-500/5
630	150	Max 30 x 30	M3N1-45-630/5

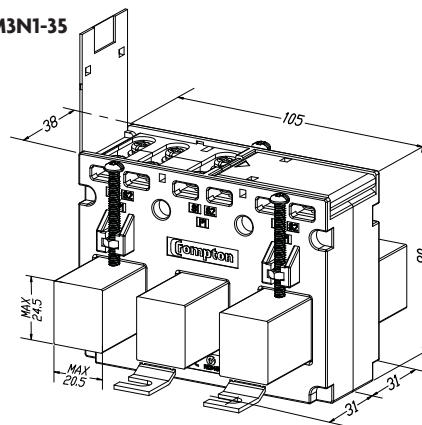


Dimensions

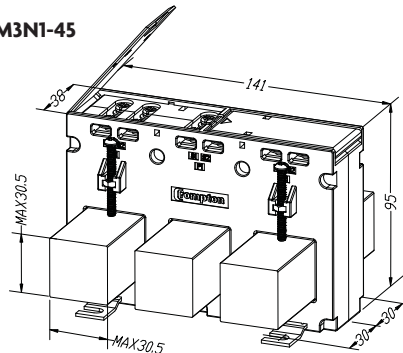
M3N1-25



M3N1-35



M3N1-45



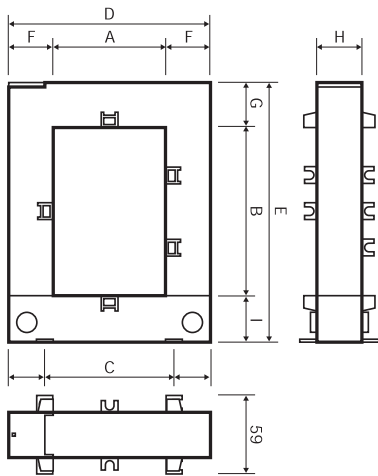
Split Core Current Transformers

Main features

- Meets the requirements of EN 60044-1
- Provided with plug-in metal feet and busbar mounting as standard.
- Up to Class 0.5 accuracy
- System voltage up to 720V
- Secondary output of 5A
- Operating temperature range from -20°C to $+70^{\circ}\text{C}$



Dimensions



Case Size	Current Rating (A)	Burden VA against class index			Product Code
		0.5	1	3	
Case size 1	100	-	-	1.5	SC1-100/5A
Aperture 20 x 30 mm	150	-	-	2	SC1-150/5A
	200	-	1.5	2.5	SC1-200/5A
	250	-	2	4	SC1-250/5A
	300	1.5	4	6	SC1-300/5A
	400	2.5	6	10	SC1-400/5A
Case Size 2	250	1	2	4	SC2-250/5A
Aperture 50 x 80 mm	300	1.5	3	6	SC2-300/5A
	400	1.5	3	10	SC2-400/5A
Case Size 3	250	1	2	4	SC3-250/5A
Aperture 80 x 80 mm	300	1.5	3	6	SC3-300/5A
	400	1.5	3	10	SC3-400/5A
	500	2.5	5	15	SC3-500/5A
	600	2.5	5	15	SC3-600/5A
	750	3	6	20	SC3-750/5A
	800	3	7.5	20	SC3-800/5A
1000	5	10	20	SC3-1000/5A	
Case Size 4	500	-	4	12.5	SC4-500/5A
Aperture 80 x 120 mm	600	-	5	15	SC4-600/5A
	750	2.5	6	17.5	SC4-750/5A
	800	3	7.5	20	SC4-800/5A
	1000	5	10	20	SC4-1000/5A
	1200	6	12.5	25	SC4-1200/5A
	1250	7.5	15	30	SC4-1250/5A
	1500	8	17	30	SC4-1500/5A
1600	8	17	30	SC4-1600/5A	

Measurement*	Case Size 1	Case Size 4	Case Size 3	Case Size 4
A	20	50	80	80
B	30	80	80	120
C	51	78	108	108
D	89	114	144	144
E	111	145	145	185
F	34	32	32	32
G	47	32	32	32
H	40	32	32	32
I	32	33	33	33
Weight (kgs)	0.75	0.9	1.05	1.25

*All measurements are in mm.

Integra Ci1 Energy Meter

The Integra Ci1 energy meter is specially designed and developed as a cost effective Watt hour and VAR hour meter to complement the current Integra Ci digital metering system (dms). The Integra Ci1 self-contained 96mm DIN panel mounted Watt hour, VAR hour meter measures the real consumption of active and reactive energy to Class 1.0 accuracy.

The backlit LCD screen displays 8 character counter indicating Watt hour or VAR hour units. The optional modules enables transfer of energy measurements to building management systems (BMS) via pulsed or digital communication options.

Programmable Functions

Integra Ci1 meter provides simple programming to suit single phase 2-wire, three-phase three wire and three-phase four-wire un-balanced system configurations, CT ratio settings and configuration of selected communication options. To prevent unauthorised access to the product configuration settings, all set-up screens offer password protection.

Display

Direct access to display the programmed set CT ratio, Watt hours import and export, VAR hours import and export and the phase sequence test routine for both voltage and current phases. During the accumulation of the Wh or VARh the running icon will flash at a rate dependant on the displayed parameter.

Plug-in Modules

Plug-in modules allow to fit either maximum of two isolated pulsed output relays or a RS485 communication module and one isolated pulsed output relay. The communication output module can be programmed internally to respond either to Modbus® RTU or Johnson Controls protocols.

Panel Mounting

Integral retention clips allow fast, safe and secure panel mounting in various material thicknesses without the need for external screws or clips.

Product Code

Description	Part Number
Integra Ci1 base unit	Ci1-01
Options	
Optional plug-in pulse output module	PUL-01
Optional RS485 Modbus plug-in module	MOD-01
Accessories	
IP65 protective cover	3G36502
IP54 panel gasket	3C34501

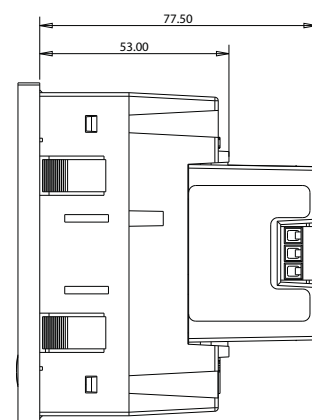
Parameters

Button	Screen	Parameters
CT	1	CT ratio
Wh	2	IMPORT Wh
	3	EXPORT Wh
VARh	4	IMPORT VARh
	5	EXPORT VARh
TEST	6	Phase sequence diagnostics

Modular Devices



Dimensions



Running icon indicates Wh and VARh accumulation.

Modular Devices



Parameters

Button	Screen	Parameters
V/Hz	1	Volts L1 - N Volts L2 - N Volts L3 - N
	2	Volts L1 - L2 Volts L2 - L3
	3	Frequency
	4	Volts L1 - N THD% Volts L2 - N THD% Volts L3 - N THD%
	5	Volts L1 - L2 THD% Volts L2 - L3 THD% Volts L3 - L1 THD%
A	1	Current L1 Current L2 Current L3
	2	Neutral current
	3	L1 Current max Demand L3 Current max Demand
	4	Neutral current max Demand
	5	Current L1 THD% Current L2 THD% Current L3 THD%
P/PF	1	kW kVAr kVA
	2	kW Max demand
	3	Power factor
E	1	kWh
	2	kVArh

Integra Ci3 Energy Meter

The Integra Ci3 digital metering system (dms) represents the first model of a new generation of digital metering systems designed to complement the current Crompton Instruments Integra series.

The Integra Ci3 meter is an accurate and cost effective solution for measurement and display of all major electrical and power quality parameters.

Designed, developed and manufactured in the UK, the Integra Ci3 dms builds on Crompton Instruments' long established reputation for metering product quality.

The product features a DIN 96 panel mounted enclosure, backlit LCD screen and user programmable CT ratios, all accessible via an intuitive user interface. Integra Ci3 dms measures 17 electrical parameters including total harmonic distortion (THD) up to the 31st harmonic.

Programmable Functions

Integra Ci3 dms is programmable to suit single-phase two-wire, three-phase three-wire and three-phase four-wire system configurations. Programmable CT ratios enable to display any current range.

Display

The parameters can be viewed on a backlit LCD screen. The 15 screens are accessible via four buttons on the front panel allowing to scroll between various screens making the navigation very user-friendly, intuitive and above all – simple.

Plug-in Modules

Integra Ci3 dms offers two output ports at the rear of the product, to allow the fitting of either two isolated pulsed output relays or a RS485 communication module such as Modbus® or Johnson Controls communication output. These are configurable via internal settings.

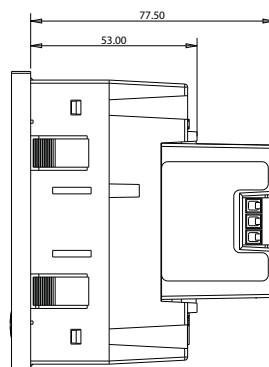
Panel Mounting

Integral retention clips allow fast, safe and secure panel mounting in various material thicknesses without the need for external screws or clips.

Product Code

Description	Part Number
Integra Ci3 base unit	Ci3-01
Options	
Optional plug-in pulse output module	PUL-01
Optional RS485 Modbus plug-in module	MOD-01
Accessories	
IP65 protective cover	3G36502
IP54 panel gasket	3C34501

Dimensions



Integra 1630 Digital Metering System

Multi-function Integra 1630 digital metering system provides high accuracy 0.2% measurement, display and communication of all major electrical and power quality parameters including total harmonic distortion (THD) up to the 31st harmonic. To suit user requirements, the range includes single-phase, three-phase three-wire and three-phase four-wire capability, all selectable at the point of installation.

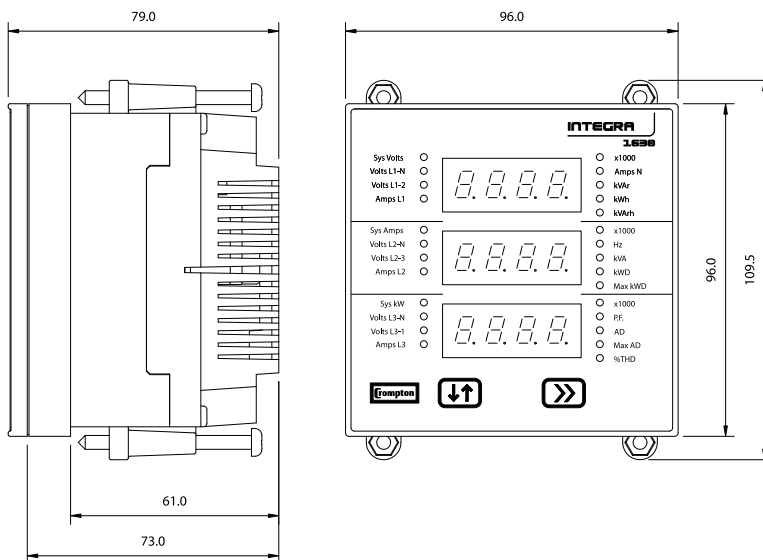
Main features

- Auxiliaries: 100/250V ac/dc (12/48V dc optional)
- Options: ProfibusTM, Modbus[®] TCP, Bacnet IP, RS485, Pulsed output

Product Code

Description	Product Code
1-phase, 3-phase 3/4-wire, 241-480V L-L, 5A CT input, Aux. 100-250V ac/dc	INT-1630-M-5-M-option
Options	
No options	000
RS485 interface Modbus [®] + 1kWhr pulsed output	110
Extended collar	OPT-1630-collar

Dimensions



Modular Devices



Measured Parameters

- System (average) volts
- System (average) current
- System (total) kW
- System volts (average) THD%
- System current (average) THD%
- Phase – neutral
 - Voltage (VL-N) (4 wire only)
- Phase – phase
 - Voltage (L-L) (3 wire only)
- Voltage THD% (4 wire only)
- Phase current
- Current THD %
- Neutral current (4 wire only)
- requery
- Power factor (overall)
- kVAR kVA kW
- kWh import (7-digit resolution)
- kVAh import (7-digit resolution)
- kWh export (7-digit resolution)
- kVAh export (7-digit resolution)
- kW demand
- Current demand
- Maximum kW demand
- Maximum current demand
- Hours run

Integra Ri3 Digital Metering System

The product features a DIN-rail enclosure, backlit LCD display and user programmable CT ratios, all accessible via an intuitive user interface. Integra Ri3 dms measures 17 electrical parameters including total harmonic distortion (THD) measurement up to the 31st harmonic.



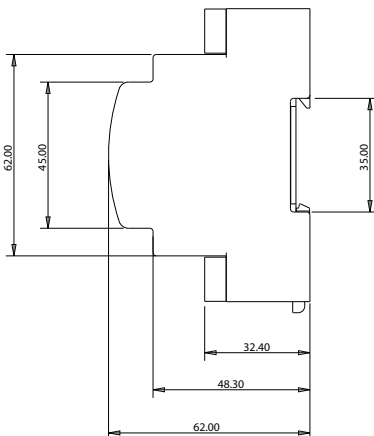
Features

- DIN-rail enclosure DIN 43880
- Backlit LCD screen
- Programmable CT ratio
- True rms measurement
- User programmable system configuration
- Pulsed output and Modbus as standard

Benefits

- Cost effective
- Simple navigation
- Crompton renowned quality
- UK manufactured

Dimensions



Specifications

Input	
Nominal input voltage	100-289V AC L-N (173-500V AC L-L)
Max. continuous input overload voltage	120% of nominal
Max. short duration input voltage	2 x range maximum (1 second application repeated 5 times at 5 minute intervals)
Nominal input voltage burden	< 0.2VA per phase
Nominal input current	5A AC rms
Max. continuous input overload current	120% of nominal
Max. short duration input current	10 x nominal (1 second application repeated 5 times at 5 minute intervals)
Nominal input current burden	< 0.6VA per phase
Frequency	45-66Hz
System CT primary values	1 to 9999
Auxiliary	
Operating range	110-400V AC nominal +/-10% (99-440V AC absolute limits) or 120-350V DC +/-20% (96-420V DC absolute limits)
Burden	< 10VA/5W
Accuracy	
Voltage (V)	0.5%
Current (A)	0.5%
Neutral current calculated (A)	4%
Frequency (Hz)	0.1 Hz
Power factor (PF)	1% of unity
Active power (W)	+/- 1% of range
Reactive power (VAr)	+/- 1% of range
Apparent power (VA)	+/- 1% of range
Active energy (kWh)	Class 1 (IEC 62053-21)
Reactive energy (kVArh)	+/- 1% of range
THD	1% up to 31st harmonic
Response time	1sec
Output	
Pulse output relay	1
Contact rating	50mA max at 250V AC
Type	Solid state relay
RS485 Modbus output module	1 Modbus channel
Type	2-wire half duplex
Baud rate	2400, 4800, 9600, 19200, 38400
Enclosure	
Enclosure style	DIN-rail
Dimensions	72x90mm (width x height) as per DIN 43880
Front protection rating	IP52
Case protection rating	IP30
Material	Polycarbonate to UL94V0
Weight	300g
Terminals	Shrouded screw-clamp 0.05-4mm wire
Environment	
Operating temperature	-10°C to +55°C
Storage temperature	-20°C to +70°C
Relative humidity	0-90% non-condensing
Shock	30g in 3 planes
Vibration	10Hz to 50Hz
Dielectric voltage	Withstand test 3.25kV rms 50Hz for 1 minute between comms and measuring inputs, comm and aux, aux and measuring inputs

Earth Leakage Relay

- Precision digital protection relay
- Adjustable sensitivity of 30mA to 10A
- Adjustable time delay from 0 to 10 seconds
- Double-pole relay contacts 8A, 250V
- Supply voltage 100-250V AC/DC (50/100Hz)

Modular Devices

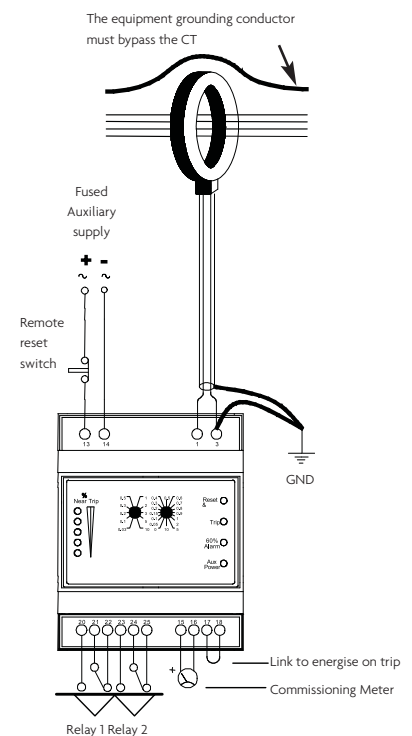
Frequency (Hz)	Auxiliary supply (v)	Product Code
50	100-250 AC/DC	ELR1

Specifications

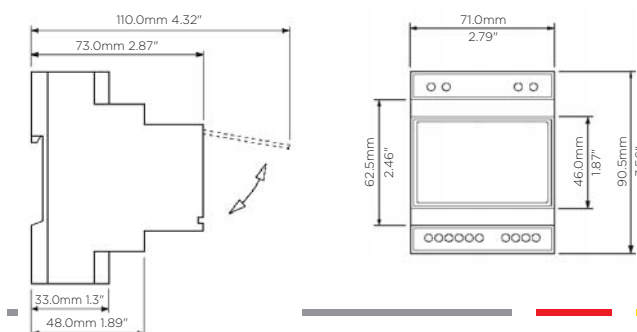
Measuring input	Core Balanced CT
Overload	20 x nominal for 1 second
Frequency	50Hz or 60Hz +/-10%
Auxiliary voltage	100-250V ac and dc
Auxiliary burden	Less than 1.5 Watts
Trip current settings	Selectable 30mA, 100mA, 200mA, 300mA, 500mA, 1A, 2A, 3A, 5A, 10A
Trip accuracy	50% <trip point current <100% in accordance with IEC 1543
Trip response time	<40ms (at 5 x rated trip current, ignoring the selected time delay)
Time delay set points	Selectable 0ms, 50ms, 100ms, 150ms, 200ms, 300ms, 400ms, 500ms, 600ms, 700ms, 800ms, 900ms, 1 second, 2 seconds, 5 seconds, 10 seconds. When 30mA leakage is selected, the time delay is disabled
Indication	5 yellow LED bar graph for leakage levels Red LED indicated trip function Green LED indicated auxiliary power presence Red LED pre-alarm indication (SPCO version only)
Relay contacts	Standard: 2-pole change over Option: 2 1-pole change over (pre-alarm and main alarm)
Relay contact rating	8 amps at 250V ac 8 amps at 30V dc resistive
Relay mechanical life	>100,000 operations
Analogue output	0 to 1mA = 0 to 100% of selected tripping level. Compliance 1V, accuracy 10%
Enclosure style	DIN 43880, rail width 70mm
Compliant with	EMC and LVD, UL 3111-1 File No: E203000, CSA 22.2/1010.1-92 BSEN 50081-1, BSEN 50082-2, IEC 60255-22-1 (BS5992), IEC 60255-11, BSEN 61543 (IEC 1543), BSEN 61010 (IEC 1010), EN 60068 (IEC 68)
Material	Flame retardant UL94V0
Terminals	1 to 4mm ² solid or stranded conductors. IP20 protection
Operating temperature	-10°C to +60°C
Storage temperature	-20°C to +70°C
Relative humidity	<95% non condensing
Weight	<250g
Dimensions	71mm wide x 90.5mm high x 73mm deep 2.79" wide x 3.56" high x 2.87" deep



Connections



Dimensions



Core Balance Current Transformers

Core Balanced Current Transformers

- For use with ELRI earth leakage protection relay
- Leakage measurement range 0 to 10A
- Integral wire-sealable terminal cover
- Flame retardant, high impact moulded case

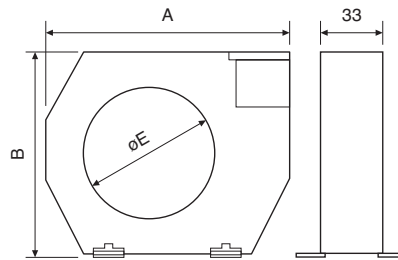


Current rating (A)	Dim E Aperture (mm)	Dim A Width (mm)	Dim B Height (mm)	Dim C Depth (mm)	Product Code
250	35	100	79	26	CBT-94F-035
630	70	130	110	32	CBT-94F-070
1000	105	170	146	38	CBT-94F-105
1000	140	220	196	49	CBT-94F-140

Specifications

Input	
System voltage	720V maximum
Test voltage	3kV ac for 1 minute
System frequency	50Hz or 60Hz
Primary ratings	From 30mA to 10A
Secondary terminals	Protected to IP20
Operating temperature	-10°C to +50°C
Enclosure	UL94V0 flame retardant plastic
Compliant with	IEC185, VDE 0414
Mounting hardware	Steel mounting feet for wall or base mounting

Dimensions



Contact Us

BRAINTREE

Departments: Customer Service, Logistics, Quality, Finance and HR

Dorman Smith Switchgear Limited	Tel: +44 (0) 844 225 1063
8 Swinbourne Drive	Fax: +44 (0) 844 225 1064
Springwood Industrial Estate	Email: sales@dormansmith.co.uk
Braintree, Essex	www.dormansmithswitchgear.com
CM7 2YG	

PRESTON

Departments: Modis Estimation, Design/Product Management and Technical

Dorman Smith Switchgear Limited	Tel: +44 (0) 1772 325380
1 Nile Close	Fax: +44 (0) 1772 325385
Nelson Court Business Centre	Email: sales@dormansmith.co.uk
Ashton on Ribble	www.dormansmithswitchgear.com
Preston, Lancashire	
PR2 2XU	

DUBAI

Dorman Smith Switchgear LLC	Tel: 00971 4 3470226
P.O. Box 12872	Fax: 00971 4 3470002
Dubai	Email: dsdubai@dormansmith.co.uk
U.A.E.	www.dormansmithswitchgear.com

For further information or to request one of our product catalogues please contact us from the information above. E&OA. Whilst every effort has been made to ensure accuracy, no liability is accepted for the consequences of any error or omissions in this catalogue. Dorman Smith Switchgear Ltd. reserve the right to change or amend any technical specification or product detail without prior notification.