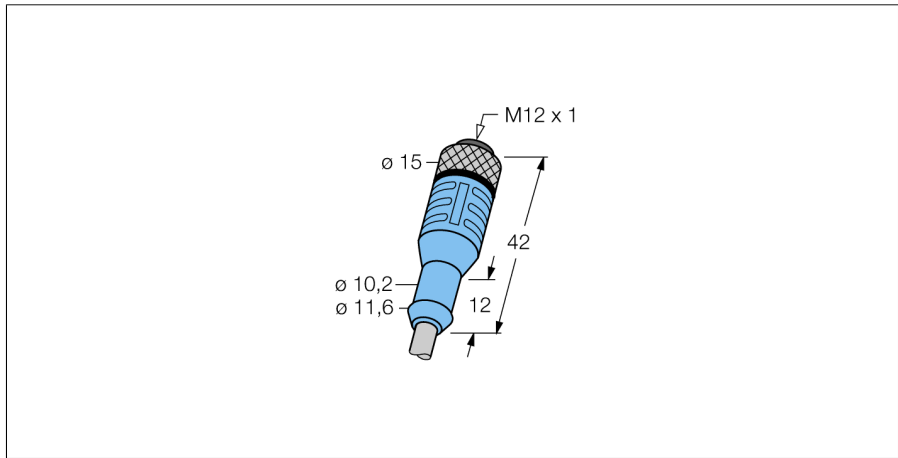
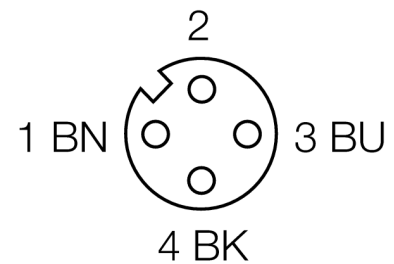


**M12 x 1 Round Connector
Female Connector M12 x 1
WAK3-15/P00**



- robust and pre-assembled round connector
- plastic moulding
- Degree of protection IP67
- also available with different cable lengths and of different materials
- PVC cable
- suited to average mechanical stress

Wiring diagram



Cable quality P00

Pure PVC cable, resistant to average mechanical strain, for use in packaging machinery as well as assembly and production lines. Good resistance against acids and alkalis and thus suited for use in the food and beverage industry. Limited resistance to abrasion, conditional resistance to oils and chemicals.

Type code	WAK3-15/P00
Ident no.	8008596
Connector A side	female connector, M12 x 1, straight
Number of pins	3
Contacts	metal, CuZn, gold-plated
Contact carriers	plastic, TPU, black
Grip	plastic, TPU, blue
Seal	plastic, FPM/FKM
Protection class	IP67, (screwed together)
Mechanical lifespan	> 100 mating cycles
Pollution degree	3
Cable	P00, LifYY
Cable diameter	5.2 mm
Cable length	15m
Cable sheath	PVC, GY
Core insulation	PVC
Core colors	BN, BU, BK
Core cross-section	3x0.34mm ²
Litz wire arrangement	43x0.1 mm
Bending radius (mobile)	min. 10 x Ø cable
Rated voltage [U_{max}]	250 V
Insulation resistance	≥ 10 ⁹ Ω
Ampacity	4 A
Forward resistance	≤ 5 mΩ
Ambient temperature Connector	-30...+90°C
Cable ambient temperature	-40... +80°C