

DATA SHEET

M18 HT Series. 180C

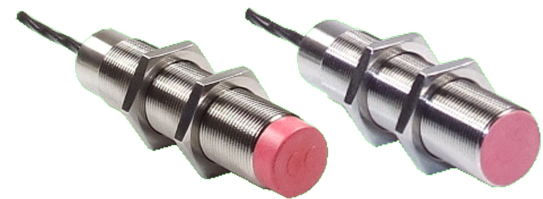


Tel- +49 (0)2351 6796050
 Fax- +49 (0)2351 4321941
 E-mail sales@kriz-sensors.com
 Web- www.kriz-sensors.com

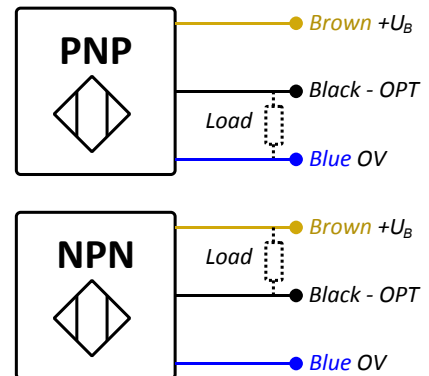
General Specifications.

Max Ambient Temp Range	--	-25../...+180C -13../...+356F
Sensor Size	--	M18
(SN) Flush Mounting	--	5mm
(SN) Non-Flush mounting	--	8mm
Connecting Cable	--	Silicone ..or.. Teflon
Supply Voltage Range	--	10../...30 VDC
Rated Supply Voltage	--	24 VDC
No-Load Supply Current	--	≤3mA
Output Format- PNP .or. NPN	--	N.O.
Output Current	--	200mA@24 VDC
Max Switching Frequency	--	200Hz@180C
Output Voltage Drop	--	≤1.8 VDC
Repeatability	--	< 3% of SN
Hysteresis	--	≤3.....15% of Sr
Short Circuit Protection	--	Yes
Reverse Polarity Protection	--	Yes
Environmental Protection	--	IP66
Housing Material	--	1.4305 St Stl

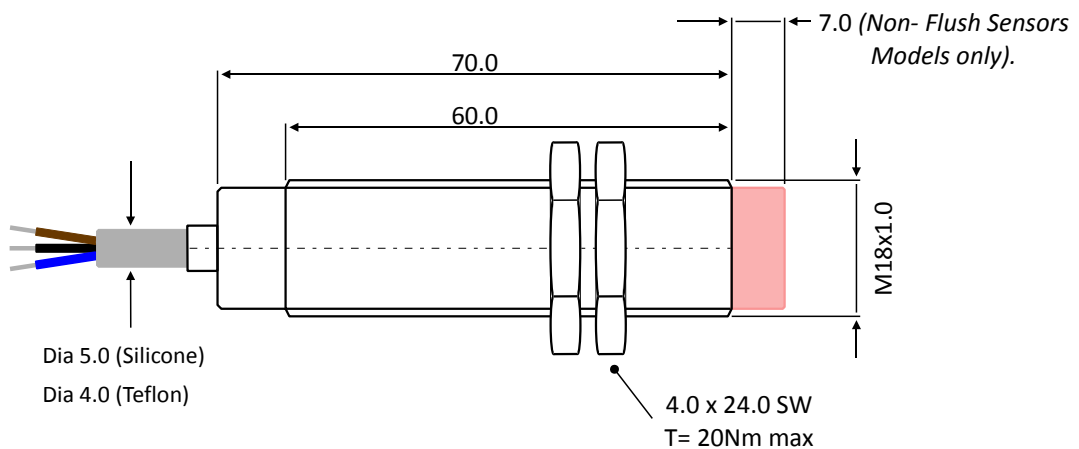
M18 HT Series Sensor.



Connection Detail.



Dimensional Detail.



Dimensions in Millimetres. Do Not Scale.

IMPORTANT-Please read

These proximity sensors must not be installed or used in any application where the safety of the person(s) are dependant upon their functioning. Due to our continued product development specifications are subject to change without notice. ISS-01-2012