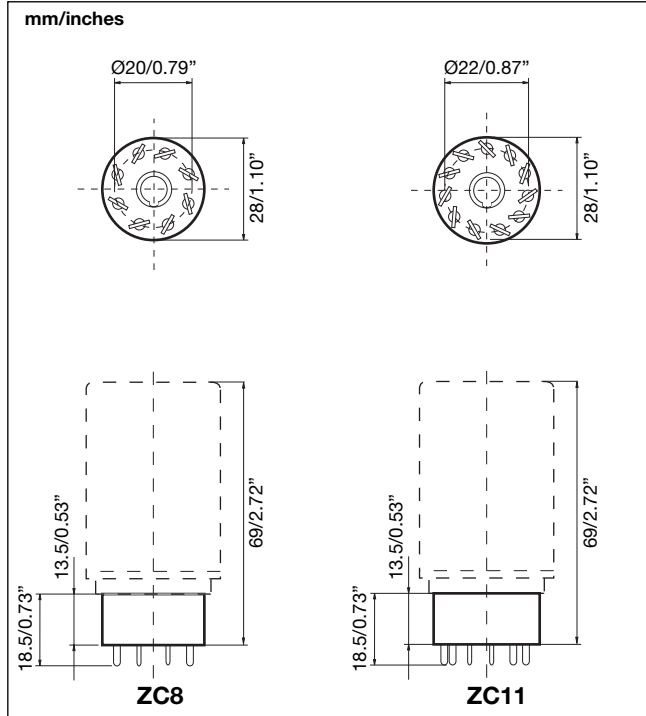


Sockets for RCP relays

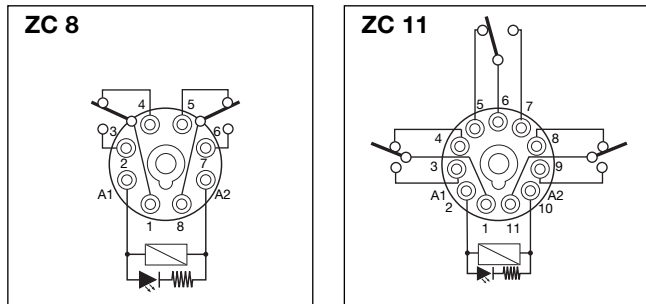
ZC 8 - ZC 11



General data

Rated voltage	300VAC
Rated current	10A
Insulation voltage	> 3kV
Protection degree	IP 00
Operating temperature range	-40° to +70°C (-40° to +150°F)
Socket material	PPEm
Socket colour	Black
Terminal type	PCB
Contacts material	Copper tin plated CuZn

Wiring diagram



Approvals



Ordering part number	ZC8/20.5
Ordering part number	ZC11/22
Box content:	100 sockets
Box size: (W 13 x D 21 x H 12.5) mm	ZC8 Weight: 880g
	ZC11 Weight: 1030g
(W 0.51 x D 0.83 x H 0.49) inches	ZC8 Weight: 31.04oz
	ZC11 Weight: 36.33oz