



Kraus & Naimer

BLUE LINE switchgear

since 1907



NEW
GRP
enclosures
now included

Enclosed Product Catalogue 2013

isolating switches
main/emergency off switches
changeover switches
grp
insulated
stainless steel
mild steel
red painted mild steel
photovoltaic



For free expert advice and technical help
contact our sales team on 01635 262626

www.krausnaimer.co.uk



Kraus & Naimer

BLUE LINE switchgear

since 1907

The development of the Blue Line rotary switch is based on more than one hundred years experience by Kraus & Naimer in the design and manufacture of electrical switchgear.

Kraus & Naimer pioneered the introduction of the cam operated rotary switch and continues to be recognised as the world leader in that product field.

Blue Line products are protected by numerous patents throughout the industrial world. They are built to national and international standards and designed to withstand adverse temperatures and climates. Our extensive range includes cam operated rotary switches up to 2400A, main/main emergency-off switch-disconnectors up to 1250A and changeover switches up to 2400A. They can be supplied for mounting on machines, in switch panels or in enclosures using materials such as polycarbonate, GRP, painted mild steel and stainless steel.

Kraus & Naimer's Blue Line products are accepted and universally recognised for their quality and workmanship.

Kraus & Naimer Limited is part of the worldwide Kraus & Naimer Group which celebrated its 100 year anniversary in 2007.

A key to our success is the outstanding level of technical product support through our dedicated team of internal and external technical sales engineers. With many years experience, training and unbeatable product knowledge the team can find a suitable solution for most switch applications.



WORLDWIDE SYMBOL
FOR QUALITY SWITCHGEAR

Tel: 01635 262626 Fax: 01635 37807
email: sales-uk@krausnaimer.com

The content of the catalogue has been designed for ease of use and selection; with 'one-line' product coding for ordering purposes. Please contact our Sales Team at Newbury if you would like assistance in the selection of a product or require additional information on the range of products available from Kraus & Naimer.

Switch-Disconnectors			Pages	
  	Main & Main/Emergency-Off Switch			
	Insulated enclosure	3 to 8 pole + auxiliaries	20A to 315A	4 - 5
	Painted steel enclosure	3 to 12 pole + auxiliaries	20A to 1250A	6 - 7
	Red painted steel enclosure	3 to 12 poles + auxiliaries	20A to 1250A	8 - 9
	Stainless steel enclosure	3 to 6 pole + auxiliaries	20A to 1250A	10 - 11
	Flush mounted stainless	2, 3 & 4 pole	20A to 63A	11
	GRP enclosure	3 to 6 pole + auxiliaries	25A to 315A	12 - 14
	Main/Emergency-Off Switch + Emergency Stop Push Button			
	Insulated enclosure	4 & 6 pole + auxiliaries	25A to 100A	15
	Painted steel enclosure	4 & 6 pole + auxiliaries	25A to 100A	15
Stainless steel enclosure	4 & 6 pole + auxiliaries	25A to 100A	15	
Changeover Switch with Centre Off				
Insulated, painted mild steel & stainless steel enclosure	2, 3 & 4 pole, with centre Off.	16A to 315A	16 - 17	
AC/DC Switch-Disconnectors for Photovoltaic			Pages	
	AC Switch-Disconnectors			
	Single & three phase	AC-21A 3 & 4 pole	25 - 40A	18
	DC Switch-Disconnectors			
	Single string & two string	DC-21B 2 & 4 pole	11 - 60A	19
Control Switches			Pages	
  	Emergency Stop Push Button Station			
	Stainless steel enclosure	twist to reset, key operate to reset		20
	Painted steel enclosure	twist to reset, key operate to reset		
	Stainless steel, flush mount	twist to reset, key operate to reset		
	Insulated enclosure	twist to reset, pull to reset palm/foot switch		
	Emergency Stop Push Button Station with protective shroud			
	Stainless steel enclosure	twist to reset, key operate to reset		21
	Painted steel enclosure	twist to reset, key operate to reset		
	Stainless steel, flush mount	twist to reset, key operate to reset		
	Insulated enclosure	twist to reset, pull to reset palm/foot switch		
Rotary Control Switch				
Insulated enclosure	off/on & changeover switches		22	
Key Operated Control Switch				
Insulated enclosure	off/on, changeover & step switches		22	
Load Switches			Pages	
	Emergency-Off Switch			
	Insulated enclosure	3 & 4 pole	25A & 32A	22
	Motor Reversing Switch			
Insulated enclosure	3 phase/1 phase motors	5.5kW/1.5kW	22	
Technical Data			Pages	
Technical Data				
Technical data			23	



Main/Emergency-Off Switch - 3, 4, 6 & 8 Pole 20A - 315A



- IP66/67 protection.
- red/yellow padlockable handle.
- optional black handle available.
- insulated enclosure, grey, RAL7035.
- earth terminal included.
- switch interlocked with lid to prevent opening in 'ON' position.

Without Auxiliaries	le AC-21A	3 Pole		Encl. Ref		3 Pole + Solid Neutral (TP&N)		Encl. Ref		
	20A	KG10	T203/GBA270 *KS1V	KSAV		KG10	T203/GBA355 *KS1V	KSAV		
	25A	KG20	T203/GBA270 *KS1V	KSAV		KG20	T203/GBA355 *KS1V	KSAV		
	32A	KG32	T203/GBA270 *KS1V	KSAV		KG32	T203/GBA355 *KS1V	KSAV		
	40A	KG41	T203/GBA270 *KL1V	KLCV		KG41	T203/GBA355 *KL1V	KLCV		
	63A	KG64	T203/GBA270 *KL1V	KLCV		KG64	T203/GBA355 *KL1V	KLCV		
	80A	KG80	T203/GBA270 *KL1V	KLDV		KG80	T203/GBA355 *KL1V	KLDV		
	100A	KG100	T203/GBA270 *KL1V	KLDV		KG100	T203/GBA355 *KL1V	KLDV		
	125A	KG105	T203/GBA270 *KL1V	KLDV		KG105	T203/GBA355 *KL1V	KLDV		
	125A ³⁾	KG125	T203/GBA270 *ST	ST3		KG125	T207/GBA355 *ST	ST3		
160A	KG160	T203/GBA270 *ST	ST3		KG160	T207/GBA355 *ST	ST3			
200A	KG210	T203/GBA270 *ST	ST3		KG210	T207/GBA355 *ST	ST4			
250A	KG250	T203/GBA270 *ST	ST3		KG250	T207/GBA355 *ST	ST4			
315A	KG315	T203/GBA270 *ST	ST3		KG315	T207/GBA355 *ST	ST4			

With Auxiliaries ¹	le AC-21A	3 Pole		Encl. Ref		3 Pole + Solid Neutral (TP&N)		Encl. Ref		
	20A	KG10	T203/GBA281 *KS1V	KSAV		KG10	T203/GBA374 *KS1V	KSAV		
	25A	KG20	T203/GBA280 *KS1V	KSAV		KG20	T203/GBA373 *KS1V	KSAV		
	32A	KG32	T203/GBA280 *KS1V	KSAV		KG32	T203/GBA373 *KS1V	KSAV		
	40A	KG41	T203/GBA280 *KL1V	KLCV		KG41	T203/GBA373 *KL1V	KLCV		
	63A	KG64	T203/GBA280 *KL1V	KLCV		KG64	T203/GBA373 *KL1V	KLCV		
	80A	KG80	T203/GBA280 *KL1V	KLDV		KG80	T203/GBA373 *KL1V	KLDV		
	100A	KG100	T203/GBA280 *KL1V	KLDV		KG100	T203/GBA373 *KL1V	KLDV		
	125A	KG105	T203/GBA280 *KL1V	KLDV		KG105	T203/GBA373 *KL1V	KLDV		
	125A ³⁾	KG125	T203/GBA065 *ST	ST3		KG125	T207/GBA110 *ST	ST3		
160A	KG160	T203/GBA065 *ST	ST3		KG160	T207/GBA110 *ST	ST3			
200A	KG210	T203/GBA070 *ST	ST3		KG210	T207/GBA120 *ST	ST4			
250A	KG250	T203/GBA070 *ST	ST3		KG250	T207/GBA120 *ST	ST4			
315A	KG315	T203/GBA070 *ST	ST3		KG315	T207/GBA120 *ST	ST4			

Notes

- 1) The following auxiliary contacts are provided:-
 KG10 1 N.O. (early break) + 1 N.C.
 KG20 to KG105 2 N.O. (early break)
 KG125 to KG315 2 N.O. (early break) + 2 N.C.

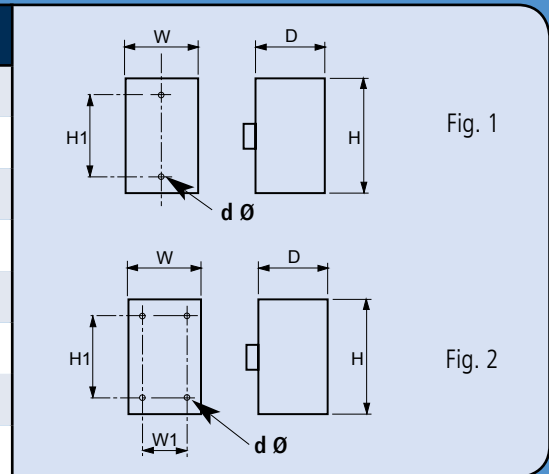
2) Switched neutral pole is early make / late break.

3) KG125 suitable for applications requiring larger cable termination and increased enclosure size.



DIMENSIONS

Encl. Ref.	Encl. Dim.				Encl. Dim.			Cable Entries.	Line Drg.
	H	W	D	D1	H1	W1	d		
KSAV	120	85	90	-	110	-	4.2	4 x 20/25mm k'outs	Fig. 1
KLCV	190	100	93	-	178	-	5.6	4 x 25mm k'outs	Fig. 1
KLD	250	145	107	-	229	124	6.5	4 x 25mm k'outs	Fig. 2
KLDV	250	145	107	-	229	124	6.5	4 x 40mm k'outs	Fig. 2
STE	280	190	180	-	254	164	7	2 x gland plates	Fig. 2
ST2	280	190	130	-	254	164	7	2 x gland plates	Fig. 2
ST3	380	280	180	-	354	254	7	2 x gland plates	Fig. 2
ST4	560	380	180	-	534	354	7	2 x gland plates	Fig. 2



4 Pole (3ph + Sw N²)		Encl. Ref	6 Pole		Encl. Ref	le AC-21A
KG10	T204/GBA290 *KS1V	KSAV	KG10B	T206/GBA320 *KS1V	KSAV	20A
KG20	T204/GBA290 *KS1V	KSAV	KG20B	T206/GBA320 *KL1V	KLCV	25A
KG32	T204/GBA290 *KS1V	KSAV	KG32B	T206/GBA320 *KL1V	KLCV	32A
KG41	T204/GBA290 *KL1V	KLCV	KG41B	T206/GBA320 *KL1V	KLDV	40A
KG64	T204/GBA290 *KL1V	KLCV	KG64B	T206/GBA320 *KL1V	KLDV	63A
KG80	T204/GBA290 *KL1V	KLDV	KG80	T206/GBA967 *ST	STE	80A
KG100	T204/GBA290 *KL1V	KLDV	KG100	T206/GBA967 *ST	STE	100A
KG105	T204/GBA290 *KL1V	KLDV	KG105	T206/GBA967 *ST	STE	125A
KG125	T204/GBA290 *ST	ST3	KG125	T206/GBA967 *ST	ST4	125A ³⁾
KG160	T204/GBA290 *ST	ST3	KG160	T206/GBA967 *ST	ST4	160A
KG210	T204/GBA290 *ST	ST4				200A
KG250	T204/GBA290 *ST	ST4				250A
KG315	T204/GBA290 *ST	ST4				315A

4 Pole (3ph + Sw N²)		Encl. Ref	6 Pole		Encl. Ref	8 Pole (2 x 3ph + Sw N²)		Encl. Ref	le AC-21A
KG10	T204/GBA311 *KS1V	KSAV	KG10	T206/40 *KS51V	KSAV	KG10	T208/GBA002 *KS1V	KSAV	20A
KG20	T204/GBA310 *KS1V	KSAV	KG20B	T206/GBA330 *KL1V	KLCV	KG20B	T208/GBA008 *KL	KLD	25A
KG32	T204/GBA310 *KS1V	KSAV	KG32B	T206/GBA330 *KL1V	KLCV	KG32B	T208/GBA008 *KL	KLD	32A
KG41	T204/GBA310 *KL1V	KLCV	KG41B	T206/GBA330 *KL1V	KLDV	KG41B	T208/GBA008 *ST	ST2	40A
KG64	T204/GBA310 *KL1V	KLCV	KG64B	T206/GBA330 *KL1V	KLDV	KG64B	T208/GBA008 *ST	ST2	63A
KG80	T204/GBA310 *KL1V	KLDV	KG80	T206/GBA907 *ST	STE	KG80	T208/GBA008 *ST	ST3	80A
KG100	T204/GBA310 *KL1V	KLDV	KG100	T206/GBA907 *ST	STE	KG100	T208/GBA008 *ST	ST3	100A
KG105	T204/GBA310 *KL1V	KLDV	KG105	T206/GBA907 *ST	STE				125A
KG125	T204/GBA075 *ST	ST3	KG125	T206/GBA085 *ST	ST4	KG125	T208/GBA010 *ST	ST4	125A ³⁾
KG160	T204/GBA075 *ST	ST3	KG160	T206/GBA085 *ST	ST4	KG160	T208/GBA010 *ST	ST4	160A
KG210	T204/GBA080 *ST	ST4							200A
KG250	T204/GBA080 *ST	ST4							250A
KG315	T204/GBA080 *ST	ST4							315A



Main/Emergency-Off Switch - 3, 4, 6, 9 & 12 Pole 20A - 315A



MB8

MB4

MB3

MB2

- IP66 protection.
- red/yellow padlockable handle.
- optional black handle available.
- grey powder paint finish, grey, RAL7032.
- earth terminal & lid bonding link included.
- switch interlocked with lid to prevent opening in 'ON' position.

Without Auxiliaries	le AC-21A	3 Pole		3 Pole + Solid Neutral (TP&N)		4 Pole (3ph + Sw N ²)	
	20A	KG10	T203/GBA119 *MB2			KG10	T204/GBA219 *MB2
	25A	KG20	T203/GBA119 *MB2	KG20	T207/GBA170 *MB2	KG20	T204/GBA219 *MB2
	32A	KG32	T203/GBA119 *MB2	KG32	T207/GBA170 *MB2	KG32	T204/GBA219 *MB2
	40A	KG41	T203/GBA109 *MB2	KG41	T207/GBA170 *MB2	KG41	T204/GBA209 *MB2
	63A	KG64	T203/GBA109 *MB2	KG64	T207/GBA170 *MB2	KG64	T204/GBA209 *MB2
	80A	KG80	T203/GBA109 *MB3	KG80	T207/GBA170 *MB3	KG80	T204/GBA209 *MB3
	100A	KG100	T203/GBA109 *MB3	KG100	T207/GBA170 *MB3	KG100	T204/GBA209 *MB3
	125A	KG105	T203/GBA109 *MB3	KG105	T207/GBA170 *MB3	KG105	T204/GBA209 *MB3
	125A ³⁾	KG125	T203/GBA109 *MB8	KG125	T207/GBA170 *MB8	KG125	T204/GBA209 *MB8
160A	KG160	T203/GBA109 *MB8	KG160	T207/GBA170 *MB8	KG160	T204/GBA209 *MB8	
200A	KG210	T203/GBA109 *MB9	KG210	T207/GBA170 *MB9	KG210	T204/GBA209 *MB9	
250A	KG250	T203/GBA109 *MB9	KG250	T207/GBA170 *MB9	KG250	T204/GBA209 *MB9	
275A							
315A	KG315	T203/GBA109 *MB9	KG315	T207/GBA170 *MB9	KG315	T204/GBA209 *MB9	

With Auxiliaries ¹	le AC-21A	3 Pole		3 Pole + Solid Neutral (TP&N)		4 Pole (3ph + Sw N ²)	
	20A	KG10	T203/GBA168 *MB2			KG10	T204/GBA268 *MB2
	25A	KG20	T203/GBA169 *MB2	KG20	T207/GBA175 *MB2	KG20	T204/GBA269 *MB2
	32A	KG32	T203/GBA169 *MB2	KG32	T207/GBA175 *MB2	KG32	T204/GBA269 *MB2
	40A	KG41	T203/GBA159 *MB2	KG41	T207/GBA175 *MB2	KG41	T204/GBA259 *MB2
	63A	KG64	T203/GBA159 *MB2	KG64	T207/GBA175 *MB2	KG64	T204/GBA259 *MB2
	80A	KG80	T203/GBA159 *MB3	KG80	T207/GBA175 *MB3	KG80	T204/GBA259 *MB3
	100A	KG100	T203/GBA159 *MB3	KG100	T207/GBA175 *MB3	KG100	T204/GBA259 *MB3
	125A	KG105	T203/GBA159 *MB3	KG105	T207/GBA175 *MB3	KG105	T204/GBA259 *MB3
	125A ³⁾	KG125	T203/GBA165 *MB8	KG125	T207/GBA180 *MB8	KG125	T204/GBA265 *MB8
160A	KG160	T203/GBA165 *MB8	KG160	T207/GBA180 *MB8	KG160	T204/GBA265 *MB8	
200A	KG210	T203/GBA175 *MB9	KG210	T207/GBA185 *MB9	KG210	T204/GBA275 *MB9	
250A	KG250	T203/GBA175 *MB9	KG250	T207/GBA185 *MB9	KG250	T204/GBA275 *MB9	
275A							
315A	KG315	T203/GBA175 *MB9	KG315	T207/GBA185 *MB9	KG315	T204/GBA275 *MB9	

Main Switches - 3 & 4 Pole (IP65) - with black padlockable handle 250A - 1250A

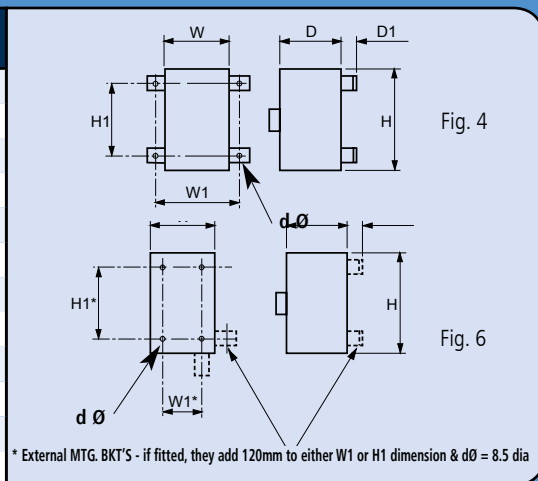


With Auxiliaries ¹	le AC-21A	3 Pole + aux		3 Pole + aux + Neutral Link		4 Pole + aux	
	250A	UK250/A	3011ST02 *MB25	UK250/A	3111ST02 *MB25	UK250/A	4011ST02 *MB25
	315A	UK315/A	3011ST02 *MB26	UK315/A	3111ST02 *MB26	UK315/A	4011ST02 *MB26
	400A	UK400/A	3011ST02 *MB26	UK400/A	3111ST02 *MB26	UK400/A	4011ST02 *MB26
	630A	UK630/A	3011ST02 *MB27	UK630/A	3111ST02 *MB27	UK630/A	4011ST02 *MB27
	800A	UK800/A	3011ST02 *MB28	UK800/A	3111ST02 *MB28	UK800/A	4011ST02 *MB28
	1000A	UK1000/A	3011ST02 *MB28	UK1000/A	3111ST02 *MB28	UK1000/A	4011ST02 *MB28
	1250A	UK1250/A	3011ST02 *MB28	UK1250/A	3111ST02 *MB28	UK1250/A	4011ST02 *MB28



DIMENSIONS

Encl. Ref.	Encl. Dim.				Encl. Dim.			Cable Entries.	Line Drg.
	H	W	D	D1	H1	W1	d		
MB2	194	119	115	8	133	137	6	-	Fig. 4
MB3	254	149	125	8	193	167	6	-	Fig. 4
MB4	309	234	150	8	248	252	6	-	Fig. 4
MB8	400	300	175	-	340	240	6.5	2 x gland plates	Fig. 6
MB9	500	400	175	-	440	340	6.5	2 x gland plates	Fig. 6
MB10	500	400	300	-	440	340	6.5	2 x gland plates	Fig. 6
MB20	250	175	175	-	225	195	6	-	Fig. 4
MB25	650	450	225	-	590	390	6.5	2 x gland plates	Fig. 6
MB26	800	550	225	-	740	490	6.5	2 x gland plates	Fig. 6
MB27	900	600	300	-	840	540	6.5	2 x gland plates	Fig. 6
MB28	1000	800	400	-	940	740	6.5	4 x gland plates	Fig. 6
MB29	750	450	300	-	690	390	6.5	2 x gland plates	Fig. 6



6 Pole	9 Pole	12 Pole	le AC-21A
KG20B T206/GBA309 *MB2	UK 20/9000ST01 *MB20	UK 20/12000ST01 *MB20	20A
KG32B T206/GBA309 *MB2	UK 25/9000ST01 *MB20	UK 25/12000ST01 *MB20	25A
KG41B T206/GBA309 *MB3	UK 32/9000ST01 *MB20	UK 32/12000ST01 *MB20	32A
KG64B T206/GBA309 *MB3			40A
KG80 T206/GBA309 *MB4			63A
KG100 T206/GBA309 *MB4			80A
			100A
			125A
KG125 T206/GBA309 *MB9			125A ³⁾
KG160 T206/GBA309 *MB9			160A
C200-4 T206/GBA309 *MB10			200A
			250A
C316 T206/GBA309 *MB10			275A
C316 T206/GBA309 *MB29			315A

6 Pole	9 Pole	12 Pole	le AC-21A
KG20B T206/GBA359 *MB2	UK 20/9020ST01 *MB20	UK 20/12020ST01 *MB20	20A
KG32B T206/GBA359 *MB2	UK 25/9020ST01 *MB20	UK 25/12020ST01 *MB20	25A
KG41B T206/GBA359 *MB3	UK 32/9020ST01 *MB20	UK 32/12020ST01 *MB20	32A
KG64B T206/GBA359 *MB3			40A
KG80 T206/GBA359 *MB4			63A
KG100 T206/GBA359 *MB4			80A
			100A
			125A
KG125 T206/GBA365 *MB9			125A ³⁾
KG160 T206/GBA365 *MB9			160A
C200-4 T206/GBA385 *MB10			200A
			250A
C316 T206/GBA006 *MB10			275A
C316 T206/GBA365 *MB29			315A

Notes

- 1) The following auxiliary contacts are provided:-
 KG10 1 N.O. (early break) + 1 N.C.
 KG20 to KG105 2 N.O. (early break)
 KG125 to KG315 2 N.O. (early break) + 2 N.C.
 UK20 to UK32 2 N.O. (early break)
 C316/C200-4 2 N.O. (early break)
 UK250/A to UK1250/A 1 N.O. (early break) + 1 N.C.

2) Switched neutral pole is early make / late break.

3) KG125 suitable for applications requiring larger cable termination and increased enclosure size.



Main/Emergency-Off Switch - 3, 4, 6, 9 & 12 Pole 20A - 315A



RB10

RB4

RB2

- IP66 protection.
- red/yellow padlockable handle.
- optional black handle available.
- red powder paint finish, colour RAL3000.
- earth terminal & lid bonding link included.
- switch interlocked with lid to prevent opening in 'ON' position.

Without Auxiliaries	le AC-21A	3 Pole		3 Pole + Solid Neutral (TP&N)		4 Pole (3ph + Sw N ²)	
	20A	KG10	T203/GBA119 *RB2			KG10	T204/GBA219 *RB2
	25A	KG20	T203/GBA119 *RB2	KG20	T207/GBA170 *RB2	KG20	T204/GBA219 *RB2
	32A	KG32	T203/GBA119 *RB2	KG32	T207/GBA170 *RB2	KG32	T204/GBA219 *RB2
	40A	KG41	T203/GBA109 *RB2	KG41	T207/GBA170 *RB2	KG41	T204/GBA209 *RB2
	63A	KG64	T203/GBA109 *RB2	KG64	T207/GBA170 *RB2	KG64	T204/GBA209 *RB2
	80A	KG80	T203/GBA109 *RB3	KG80	T207/GBA170 *RB3	KG80	T204/GBA209 *RB3
	100A	KG100	T203/GBA109 *RB3	KG100	T207/GBA170 *RB3	KG100	T204/GBA209 *RB3
	125A	KG105	T203/GBA109 *RB3	KG105	T207/GBA170 *RB3	KG105	T204/GBA209 *RB3
	125A ³⁾	KG125	T203/GBA109 *RB8	KG125	T207/GBA170 *RB8	KG125	T204/GBA209 *RB8
160A	KG160	T203/GBA109 *RB8	KG160	T207/GBA170 *RB8	KG160	T204/GBA209 *RB8	
200A	KG210	T203/GBA109 *RB9	KG210	T207/GBA170 *RB9	KG210	T204/GBA209 *RB9	
250A	KG250	T203/GBA109 *RB9	KG250	T207/GBA170 *RB9	KG250	T204/GBA209 *RB9	
275A							
315A	KG315	T203/GBA109 *RB9	KG315	T207/GBA170 *RB9	KG315	T204/GBA209 *RB9	

With Auxiliaries ¹	le AC-21A	3 Pole		3 Pole + Solid Neutral (TP&N)		4 Pole (3ph + Sw N ²)	
	20A	KG10	T203/GBA168 *RB2			KG10	T204/GBA268 *RB2
	25A	KG20	T203/GBA169 *RB2	KG20	T207/GBA175 *RB2	KG20	T204/GBA269 *RB2
	32A	KG32	T203/GBA169 *RB2	KG32	T207/GBA175 *RB2	KG32	T204/GBA269 *RB2
	40A	KG41	T203/GBA159 *RB2	KG41	T207/GBA175 *RB2	KG41	T204/GBA259 *RB2
	63A	KG64	T203/GBA159 *RB2	KG64	T207/GBA175 *RB2	KG64	T204/GBA259 *RB2
	80A	KG80	T203/GBA159 *RB3	KG80	T207/GBA175 *RB3	KG80	T204/GBA259 *RB3
	100A	KG100	T203/GBA159 *RB3	KG100	T207/GBA175 *RB3	KG100	T204/GBA259 *RB3
	125A	KG105	T203/GBA159 *RB3	KG105	T207/GBA175 *RB3	KG105	T204/GBA259 *RB3
	125A ³⁾	KG125	T203/GBA165 *RB8	KG125	T207/GBA180 *RB8	KG125	T204/GBA265 *RB8
160A	KG160	T203/GBA165 *RB8	KG160	T207/GBA180 *RB8	KG160	T204/GBA265 *RB8	
200A	KG210	T203/GBA175 *RB9	KG210	T207/GBA185 *RB9	KG210	T204/GBA275 *RB9	
250A	KG250	T203/GBA175 *RB9	KG250	T207/GBA185 *RB9	KG250	T204/GBA275 *RB9	
275A							
315A	KG315	T203/GBA175 *RB9	KG315	T207/GBA185 *RB9	KG315	T204/GBA275 *RB9	

Main Switches - 3 & 4 Pole (IP65) - with black padlockable handle 250A - 1250A

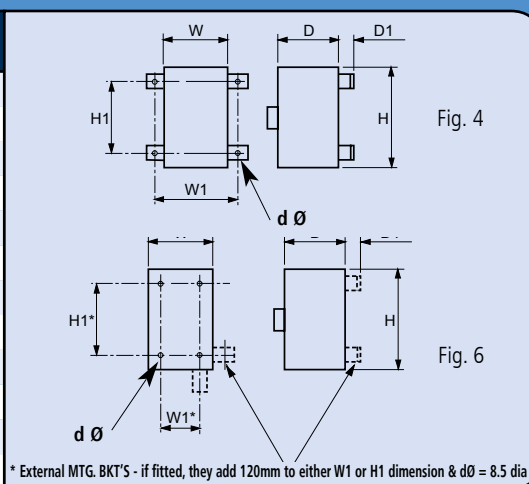


With Auxiliaries ¹	le AC-21A	3 Pole + aux		3 Pole + aux + Neutral Link		4 Pole + aux	
	250A	UK250/A	3011ST02 *RB25	UK250/A	3111ST02 *RB25	UK250/A	4011ST02 *RB25
	315A	UK315/A	3011ST02 *RB26	UK315/A	3111ST02 *RB26	UK315/A	4011ST02 *RB26
	400A	UK400/A	3011ST02 *RB26	UK400/A	3111ST02 *RB26	UK400/A	4011ST02 *RB26
	630A	UK630/A	3011ST02 *RB27	UK630/A	3111ST02 *RB27	UK630/A	4011ST02 *RB27
	800A	UK800/A	3011ST02 *RB28	UK800/A	3111ST02 *RB28	UK800/A	4011ST02 *RB28
	1000A	UK1000/A	3011ST02 *RB28	UK1000/A	3111ST02 *RB28	UK1000/A	4011ST02 *RB28
1250A	UK1250/A	3011ST02 *RB28	UK1250/A	3111ST02 *RB28	UK1250/A	4011ST02 *RB28	

DIMENSIONS



Encl. Ref.	Encl. Dim.				Encl. Dim.			Cable Entries.	Line Drg.
	H	W	D	D1	H1	W1	d		
RB2	194	119	115	8	133	137	6	-	Fig. 4
RB3	254	149	125	8	193	167	6	-	Fig. 4
RB4	309	234	150	8	248	252	6	-	Fig. 4
RB8	400	300	175	-	340	240	6.5	2 x gland plates	Fig. 6
RB9	500	400	175	-	440	340	6.5	2 x gland plates	Fig. 6
RB10	500	400	300	-	440	340	6.5	2 x gland plates	Fig. 6
RB20	250	175	175	-	225	195	6	-	Fig. 4
RB25	650	450	225	-	590	390	6.5	2 x gland plates	Fig. 6
RB26	800	550	225	-	740	490	6.5	2 x gland plates	Fig. 6
RB27	900	600	300	-	840	540	6.5	2 x gland plates	Fig. 6
RB28	1000	800	400	-	940	740	6.5	4 x gland plates	Fig. 6
RB29	750	450	300	-	690	390	6.5	2 x gland plates	Fig. 6



6 Pole	9 Pole	12 Pole	le AC-21A
	UK 20/9000ST01 *RB20	UK 20/12000ST01 *RB20	20A
KG20B T206/GBA309 *RB2	UK 25/9000ST01 *RB20	UK 25/12000ST01 *RB20	25A
KG32B T206/GBA309 *RB2	UK 32/9000ST01 *RB20	UK 32/12000ST01 *RB20	32A
KG41B T206/GBA309 *RB3			40A
KG64B T206/GBA309 *RB3			63A
KG80 T206/GBA309 *RB4			80A
KG100 T206/GBA309 *RB4			100A
			125A
KG125 T206/GBA309 *RB9			125A ³⁾
KG160 T206/GBA309 *RB9			160A
C200-4 T206/GBA309 *RB10			200A
			250A
C316 T206/GBA309 *RB10			275A
C316 T206/GBA309 *RB29			315A

6 Pole	9 Pole	12 Pole	le AC-21A
	UK 20/9020ST01 *RB20	UK 20/12020ST01 *RB20	20A
KG20B T206/GBA359 *RB2	UK 25/9020ST01 *RB20	UK 25/12020ST01 *RB20	25A
KG32B T206/GBA359 *RB2	UK 32/9020ST01 *RB20	UK 32/12020ST01 *RB20	32A
KG41B T206/GBA359 *RB3			40A
KG64B T206/GBA359 *RB3			63A
KG80 T206/GBA359 *RB4			80A
KG100 T206/GBA359 *RB4			100A
			125A
KG125 T206/GBA365 *RB9			125A ³⁾
KG160 T206/GBA365 *RB9			160A
C200-4 T206/GBA365 *RB10			200A
			250A
C316 T206/GBA006 *RB10			275A
C316 T206/GBA365 *RB29			315A

Notes

- The following auxiliary contacts are provided:-
 - KG10 1 N.O. (early break) + 1 N.C.
 - KG20 to KG105 2 N.O. (early break)
 - KG125 to KG315 2 N.O. (early break) + 2 N.C.
 - UK20 to UK32 2 N.O. (early break)
 - C316/C200-4 2 N.O. (early break)
 - UK250/A to UK1250/A 1 N.O. (early break) + 1 N.C.

2) Switched neutral pole is early make / late break.

3) KG125 suitable for applications requiring larger cable termination and increased enclosure size.



Main/Emergency-Off Switch - 3, 4 & 6 Pole 20A - 315A



- IP66 protection.
- red/yellow padlockable handle.
- optional black handle available.
- bright stainless steel enclosure, grade 316L.
- earth terminal & lid bonding link included.
- switch interlocked with lid to prevent opening in 'ON' position.

Without Auxiliaries	le AC-21A	3 Pole		3 Pole + Solid Neutral (TP&N)		4 Pole (3ph + Sw N ²)	
	20A	KG10	T203/GBA419 *SB2			KG10	T204/GBA519 *SB2
	25A	KG20	T203/GBA419 *SB2	KG20	T207/GBA420 *SB2	KG20	T204/GBA519 *SB2
	32A	KG32	T203/GBA419 *SB2	KG32	T207/GBA420 *SB2	KG32	T204/GBA519 *SB2
	40A	KG41	T203/GBA409 *SB2	KG41	T207/GBA420 *SB2	KG41	T204/GBA509 *SB2
	63A	KG64	T203/GBA409 *SB2	KG64	T207/GBA420 *SB2	KG64	T204/GBA509 *SB2
	80A	KG80	T203/GBA409 *SB3	KG80	T207/GBA420 *SB3	KG80	T204/GBA509 *SB3
	100A	KG100	T203/GBA409 *SB3	KG100	T207/GBA420 *SB3	KG100	T204/GBA509 *SB3
	125A	KG105	T203/GBA409 *SB3	KG105	T207/GBA420 *SB3	KG105	T204/GBA509 *SB3
	125A ³⁾	KG125	T203/GBA409 *SB8	KG125	T207/GBA420 *SB8	KG125	T204/GBA509 *SB8
160A	KG160	T203/GBA409 *SB8	KG160	T207/GBA420 *SB8	KG160	T204/GBA509 *SB8	
200A	KG210	T203/GBA409 *SB9	KG210	T207/GBA420 *SB9	KG210	T204/GBA509 *SB9	
250A	KG250	T203/GBA409 *SB9	KG250	T207/GBA420 *SB9	KG250	T204/GBA509 *SB9	
315A	KG315	T203/GBA409 *SB9	KG315	T207/GBA420 *SB9	KG315	T204/GBA509 *SB9	

With Auxiliaries ¹	le AC-21A	3 Pole		3 Pole + Solid Neutral (TP&N)		4 Pole (3ph + Sw N ²)	
	20A	KG10	T203/GBA468 *SB2			KG10	T204/GBA568 *SB2
	25A	KG20	T203/GBA469 *SB2	KG20	T207/GBA480 *SB2	KG20	T204/GBA569 *SB2
	32A	KG32	T203/GBA469 *SB2	KG32	T207/GBA480 *SB2	KG32	T204/GBA569 *SB2
	40A	KG41	T203/GBA459 *SB2	KG41	T207/GBA480 *SB2	KG41	T204/GBA559 *SB2
	63A	KG64	T203/GBA459 *SB2	KG64	T207/GBA480 *SB2	KG64	T204/GBA559 *SB2
	80A	KG80	T203/GBA459 *SB3	KG80	T207/GBA480 *SB3	KG80	T204/GBA559 *SB3
	100A	KG100	T203/GBA459 *SB3	KG100	T207/GBA480 *SB3	KG100	T204/GBA559 *SB3
	125A	KG105	T203/GBA459 *SB3	KG105	T207/GBA480 *SB3	KG105	T204/GBA559 *SB3
	125A ³⁾	KG125	T203/GBA475 *SB8	KG125	T207/GBA490 *SB8	KG125	T204/GBA565 *SB8
160A	KG160	T203/GBA475 *SB8	KG160	T207/GBA490 *SB8	KG160	T204/GBA565 *SB8	
200A	KG210	T203/GBA485 *SB9	KG210	T207/GBA495 *SB9	KG210	T204/GBA575 *SB9	
250A	KG250	T203/GBA485 *SB9	KG250	T207/GBA495 *SB9	KG250	T204/GBA575 *SB9	
315A	KG315	T203/GBA485 *SB9	KG315	T207/GBA495 *SB9	KG315	T204/GBA575 *SB9	

Main Switches - 3 & 4 Pole (IP65) - with black padlockable handle 250A - 1250A

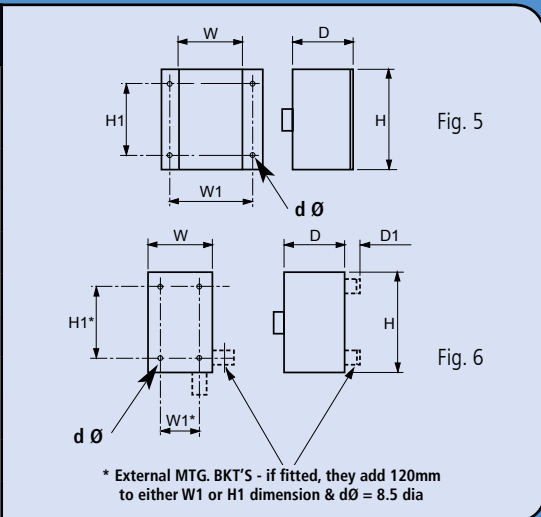


With Auxiliaries ¹	le AC-21A	3 Pole + aux		3 Pole + aux + Neutral Link		4 Pole + aux	
	250A	UK250/A	3011ST02 *SB25	UK250/A	3111ST02 *SB25	UK250/A	4011ST02 *SB25
	315A	UK315/A	3011ST02 *SB26	UK315/A	3111ST02 *SB26	UK315/A	4011ST02 *SB26
	400A	UK400/A	3011ST02 *SB26	UK400/A	3111ST02 *SB26	UK400/A	4011ST02 *SB26
	630A	UK630/A	3011ST02 *SB27	UK630/A	3111ST02 *SB27	UK630/A	4011ST02 *SB27
	800A	UK800/A	3011ST02 *SB28	UK800/A	3111ST02 *SB28	UK800/A	4011ST02 *SB28
	1000A	UK1000/A	3011ST02 *SB28	UK1000/A	3111ST02 *SB28	UK1000/A	4011ST02 *SB28
1250A	UK1250/A	3011ST02 *SB28	UK1250/A	3111ST02 *SB28	UK1250/A	4011ST02 *SB28	



DIMENSIONS

Encl. Ref.	H	Encl. Dim.			Encl. Dim.			Cable Entries.	Line Drg.
		W	D	D1	H1	W1	d		
SB2	194	119	116.5	-	133	137	6	-	Fig. 5
SB3	254	149	126.5	-	193	167	6	-	Fig. 5
SB4	309	234	151.5	-	248	252	6	-	Fig. 5
SB8	400	300	175	-	340	240	6.5	2 x gland plates	Fig. 6
SB9	500	400	175	-	440	340	6.5	2 x gland plates	Fig. 6
SB10	500	400	300	-	440	340	6.5	2 x gland plates	Fig. 6
SB25	650	450	225	-	590	390	6.5	2 x gland plates	Fig. 6
SB26	800	550	225	-	740	490	6.5	2 x gland plates	Fig. 6
SB27	900	600	300	-	840	540	6.5	2 x gland plates	Fig. 6
SB28	1000	800	400	-	940	740	6.5	2 x gland plates	Fig. 6
SB29	750	450	300	-	690	390	6.5	2 x gland plates	Fig. 6



6 Pole	le AC-21A
	20A
KG20B T206/GBA609 *SB2	25A
KG32B T206/GBA609 *SB2	32A
KG41B T206/GBA609 *SB3	40A
KG64B T206/GBA609 *SB3	63A
KG80 T206/GBA609 *SB4	80A
KG100 T206/GBA609 *SB4	100A
KG125 T206/GBA609 *SB9	125A ³⁾
KG160 T206/GBA609 *SB9	160A
C200-4 T206/GBA609 *SB10	200A
	250A
C316 T206/GBA609 *SB29	315A

6 Pole	le AC-21A
	20A
KG20B T206/GBA659 *SB2	25A
KG32B T206/GBA659 *SB2	32A
KG41B T206/GBA659 *SB3	40A
KG64B T206/GBA659 *SB3	63A
KG80 T206/GBA659 *SB4	80A
KG100 T206/GBA659 *SB4	100A
	125A
KG125 T206/GBA665 *SB9	125A ³⁾
KG160 T206/GBA665 *SB9	160A
C200-4 T206/GBA003 *SB10	200A
	250A
C316 T206/GBA659 *SB29	315A

- Notes**
- The following auxiliary contacts are provided:-

KG10	1 N.O. (early break) + 1 N.C.
KG20 to KG105	2 N.O. (early break)
KG125 to KG315	2 N.O. (early break) + 2 N.C.
C316/C200-4	2 N.O. (early break)
UK250/A to UK1250/A	1 N.O. (early break) + 1 N.C.
 - Switched neutral pole is early make / late break.
 - KG125 suitable for applications requiring larger cable termination and increased enclosure size.

Main/emergency-Off Switch - 2, 3 & 4 Pole

20A - 63A

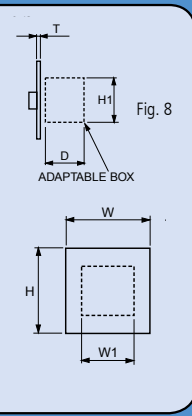


- IP40 protection. IP65 can be achieved if suitable sealant is used between faceplate/ mounting surface and under the head of the countersunk fixing screws.
- red/yellow padlockable handle.
- optional black handle available.
- bright stainless steel flush mounting front plate, grade 316L (earth stud included).
- galvanised steel adaptable box including, with M20 conduit knock outs and earth stud.
- auxiliary contacts available.

le AC-21A	Order Code No.	
2 pole		
20A	KG10	T202/GBA011*SF1
3 pole		
20A	KG10	T203/GBA286*SF1
25A	KG20	T203/GBA286*SF2
32A	KG32	T203/GBA286*SF2
40A	KG41	T203/GBA286*SF3
63A	KG64	T203/GBA286*SF3
4 pole		
20A	KG10	T204/GBA304*SF1
25A	KG20	T204/GBA304*SF2
32A	KG32	T204/GBA304*SF2
40A	KG41	T204/GBA304*SF3
63A	KG64	T204/GBA304*SF3

DIMENSIONS

Encl. Ref.	Front Plate	Adaptable Box	Cable Entries.	Line Drg.				
	H	W	T	H1	W1	D		
SF1	100	100	2	78	78	77	8 x 20mm k'outs	Fig. 8
SF2	125	125	2	103	103	77	12 x 20mm k'outs	Fig. 8
SF3	175	175	2	153	153	102	16 x 20mm k'outs	Fig. 8





Main/Emergency-Off Switch - 3, 4, & 6 Pole
25A - 315A



- IP65 protection.
- red/yellow padlockable handle.
- optional black handle available.
- GRP enclosure, grey RAL7035.
- earth terminal included.
- switch interlocked with lid to prevent opening in 'ON' position.

Without Auxiliaries	le AC-21A	3 Pole		3 Pole + Solid Neutral (TP&N)		4 Pole (3ph + Sw N ²)	
	25A	KG20	T203/GB00U2 *GP1	KG20	T207/GB00U2 *GP1	KG20	T204/GB00U2 *GP1
	32A	KG32	T203/GB00U2 *GP1	KG32	T207/GB00U2 *GP1	KG32	T204/GB00U2 *GP1
	40A	KG41	T203/GB00U2 *GP1	KG41	T207/GB00U2 *GP1	KG41	T204/GB00U2 *GP1
	63A	KG64	T203/GB00U2 *GP1	KG64	T207/GB00U2 *GP1	KG64	T204/GB00U2 *GP1
	80A	KG80	T203/GB00U2 *GP1	KG80	T207/GB00U2 *GP1	KG80	T204/GB00U2 *GP1
	100A	KG100	T203/GB00U2 *GP1	KG100	T207/GB00U2 *GP1	KG100	T204/GB00U2 *GP1
	125A	KG105	T203/GB00U2 *GP1	KG105	T207/GB00U2 *GP1	KG105	T204/GB00U2 *GP1
	125A ³⁾	KG125	T203/GB00T2 *GP6	KG125	T207/GB00T2 *GP6	KG125	T204/GB00T2 *GP6
	160A	KG160	T203/GB00T2 *GP6	KG160	T207/GB00T2 *GP6	KG160	T204/GB00T2 *GP6
200A	KG210	T203/GB00T1 *GP6	KG210	T207/GB00T1 *GP6	KG210	T204/GB00T1 *GP6	
250A	KG250	T203/GB00T1 *GP6	KG250	T207/GB00T1 *GP6	KG250	T204/GB00T1 *GP6	
315A	KG315	T203/GB00T1 *GP6	KG315	T207/GB00T1 *GP6	KG315	T204/GB00T1 *GP6	

With Auxiliaries ¹	le AC-21A	3 Pole		3 Pole + Solid Neutral (TP&N)		4 Pole (3ph + Sw N ²)	
	25A	KG20	T203/GB20U2 *GP1	KG20	T207/GB20U2 *GP1	KG20	T204/GB20U2 *GP1
	32A	KG32	T203/GB20U2 *GP1	KG32	T207/GB20U2 *GP1	KG32	T204/GB20U2 *GP1
	40A	KG41	T203/GB20U2 *GP1	KG41	T207/GB20U2 *GP1	KG41	T204/GB20U2 *GP1
	63A	KG64	T203/GB20U2 *GP1	KG64	T207/GB20U2 *GP1	KG64	T204/GB20U2 *GP1
	80A	KG80	T203/GB20U2 *GP1	KG80	T207/GB20U2 *GP1	KG80	T204/GB20U2 *GP1
	100A	KG100	T203/GB20U2 *GP1	KG100	T207/GB20U2 *GP1	KG100	T204/GB20U2 *GP1
	125A	KG105	T203/GB20U2 *GP1	KG105	T207/GB20U2 *GP1	KG105	T204/GB20U2 *GP1
	125A ³⁾	KG125	T203/GB22T2 *GP6	KG125	T207/GB22T2 *GP6	KG125	T204/GB22T2 *GP6
	160A	KG160	T203/GB22T2 *GP6	KG160	T207/GB22T2 *GP6	KG160	T204/GB22T2 *GP6
200A	KG210	T203/GB22T1 *GP6	KG210	T207/GB22T1 *GP6	KG210	T204/GB22T1 *GP6	
250A	KG250	T203/GB22T1 *GP6	KG250	T207/GB22T1 *GP6	KG250	T204/GB22T1 *GP6	
315A	KG315	T203/GB22T1 *GP6	KG315	T207/GB22T1 *GP6	KG315	T204/GB22T1 *GP6	

Notes

1) The following auxiliary contacts are provided:-
 KG20 to KG105 2 N.O. (early break)
 KG125 to KG315 2 N.O. (early break) + 2 N.C.

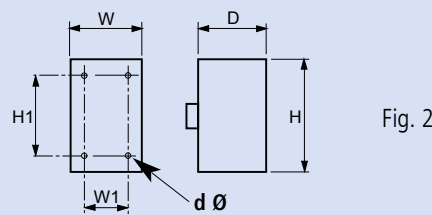
2) Switched neutral pole is early make / late break.

3) KG125 suitable for applications requiring larger cable termination and increased enclosure size.



DIMENSIONS

Encl. Ref.	H	Encl. Dim.			Encl. Dim.			Cable Entries.	Line Drg.
		W	D	D1	H1	W1	d		
GP1	303	265	167	-	150	110	-	-	Fig. 2
GP3	428	325	183	-	255	132	-	-	Fig. 2
GP6	500	430	210	-	330	240	-	-	Fig. 2



6 Pole	le AC-21A
KG20B T206/GB00U2 *GP1	25A
KG32B T206/GB00U2 *GP1	32A
KG41B T206/GB00U2 *GP1	40A
KG64B T206/GB00U2 *GP1	63A
KG80 T206/GB00U2 *GP3	80A
KG100 T206/GB00U2 *GP3	100A
KG105 T206/GB00U2 *GP3	125A
KG125 T206/GB00T2 *GP6	125A ³⁾
KG160 T206/GB00T2 *GP6	160A
	200A
	250A
	315A

6 Pole	le AC-21A
KG20B T206/GB20U2 *GP1	25A
KG32B T206/GB20U2 *GP1	32A
KG41B T206/GB20U2 *GP1	40A
KG64B T206/GB20U2 *GP1	63A
KG80 T206/GB20U2 *GP3	80A
KG100 T206/GB20U2 *GP3	100A
KG105 T206/GB20U2 *GP3	125A
KG125 T206/GB22T2 *GP6	125A ³⁾
KG160 T206/GB22T2 *GP6	160A
	200A
	250A
	315A

Combine a number of different switches and devices. Maximum flexibility whilst remaining cost effective.

Options available:

- Emergency stop with/without shroud.
- Terminals
- Start/stop buttons.
- Indicator lights.
- Switches up to 315amps AC-21A



See page 14

Main/Emergency-Off Switch - 3, 4, & 6 Pole 25A - 315A



- IP65 protection.
- red/yellow padlockable handle.
- optional black handle available.
- GRP enclosure grey RAL7035 or red RAL3000.
- earth terminal included.
- key lockable hinged lid.
- lid interlock to prevent opening in 'ON' position.

Combine a number of different switches/devices in one enclosure.

Kraus & Naimer offer a standard range of rotary isolators/changeover switches in GRP enclosures ranging from 25A to 315A, and from 3 - 6 Pole.

A major benefit of the Kraus & Naimer product range is its availability from stock and the ability to add a variety of different options to the standard isolator.



Please contact us to discuss exact requirements. Our team are highly trained and ready to help with any technical questions you may have.

Options can include:

1. isolating switch + emergency stop push button.
2. emergency stop push button with/without shroud.
3. isolating switch + up to 3 push buttons/ pilot lights.
4. defeatable door interlock.
5. terminal block as required.
6. lockable door.



Main/emergency-Off Switch - 4 & 6 Pole + Emergency Stop Pushbutton
25A - 100A



- IP66 protection.
- red/yellow padlockable handle.
- stayput emergency- stop pushbutton, 1 N.C. contact.
- insulated enclosure, grey, RAL7035.
- earth terminal included.
- switch interlocked with lid to prevent opening in 'ON' position.

le AC-21A	Order Code No.		Encl.Ref.
4 pole (3 ph+Sw N¹) + 1 n.o. (early break) + n.c. aux			
25A	KG20	T204/GBA285*KL	KLD
32A	KG32	T204/GBA285*KL	KLD
40A	KG41	T204/GBA285*KL	KLD
63A	KG64	T204/GBA285*KL	KLD
80A	KG80	T204/GBA285*KL	KLD
100A	KG100	T204/GBA285*KL	KLD
6 pole + 1 n.o. (early break) + n.c. aux			
25A	KG20B	T206/GBA095*KL	KLD
32A	KG32B	T206/GBA095*KL	KLD
40A	KG41B	T206/GBA095*KL	KLD
63A	KG64B	T206/GBA095*KL	KLD

Main/emergency-Off Switch - 4 & 6 Pole + Emergency Stop Pushbutton
25A - 100A



- IP66 protection.
- red/yellow padlockable handle.
- stayput emergency- stop pushbutton, 1 N.C. contact.
- grey powder paint, finish, colour RAL7032 (also available in red powder paint finish, colour RAL3000).
- earth terminal and lid bonding link included.
- switch interlocked with lid to prevent opening in 'ON' position.

le AC-21A	Order Code No.		Encl.Ref.
4 pole (3 ph+Sw N¹) + 1 n.o. (early break) + n.c. aux			
25A	KG20	T204/GBA350* MB3E	MB3E
32A	KG32	T204/GBA350* MB3E	MB3E
40A	KG41	T204/GBA350* MB3E	MB3E
63A	KG64	T204/GBA350* MB3E	MB3E
80A	KG80	T204/GBA350* MB3E	MB3E
100A	KG100	T204/GBA350* MB3E	MB3E
6 pole + 1 n.o. (early break) + n.c. aux			
25A	KG20B	T206/GBA155*MB3E	MB3E
32A	KG32B	T206/GBA155*MB3E	MB3E
40A	KG41B	T206/GBA155*MB3E	MB3E
63A	KG64B	T206/GBA155*MB3E	MB3E

Main/emergency-Off Switch - 4 & 6 Pole + Emergency Stop Pushbutton
25A - 100A



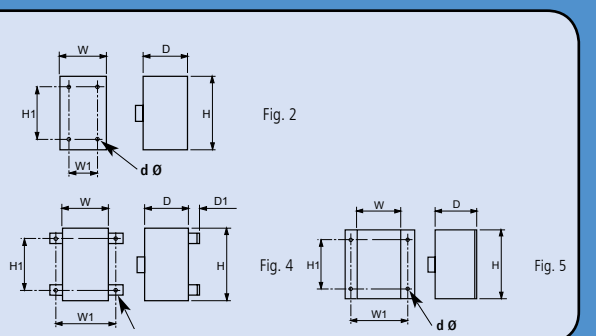
- IP66 protection.
- red/yellow padlockable handle.
- stayput emergency-stop pushbutton, 1 N.C. contact.
- bright stainless steel enclosure, grade316L.
- earth terminal and lid bonding link included.
- switch interlocked with lid to prevent opening in 'ON' position.

Notes 1) Switched neutral pole is early make / late break

le AC-21A	Order Code No.		Encl.Ref.
4 pole (3 ph+Sw N¹) + 1 n.o. (early break) + n.c. aux			
25A	KG20	T204/GBA440* SB3E	SB3E
32A	KG32	T204/GBA440* SB3E	SB3E
40A	KG41	T204/GBA440* SB3E	SB3E
63A	KG64	T204/GBA440* SB3E	SB3E
80A	KG80	T204/GBA440* SB3E	SB3E
100A	KG100	T204/GBA440* SB3E	SB3E
6 pole + 1 n.o. (early break) + n.c. aux			
25A	KG20B	T206/GBA555*SB3E	SB3E
32A	KG32B	T206/GBA555*SB3E	SB3E
40A	KG41B	T206/GBA555*SB3E	SB3E
63A	KG64B	T206/GBA555*SB3E	SB3E

DIMENSIONS

Encl. Ref.	H	Encl. Dim.			Encl. Dim.			Cable Entries.	Line Drg.
		W	D	D1	H1	W1	d		
KLD	250	145	107	-	229	124	6.5	4 x 25mm k'outs	Fig. 2
MB3E	254	149	125	8	193	167	6	-	Fig. 4
SB3E	254	149	126.5	-	193	167	6	-	Fig. 5



Changeover Switch with Centre Off - 2, 3 & 4 Pole
16A - 160A



Insulated



- IP66/67 protection.
- auxiliary contacts provided with 3 & 4 pole switches.
- black handle, padlockable in Off position.
- earth terminal.
- insulated enclosed, grey, RAL7035.
- switch interlocked with lid to prevent opening in 'ON' position.

le AC-21A	2 Pole		Encl. Ref
16A	KH16	T902/GBA002 *KS52	KSA
20A	KH20	T902/GBA002 *KS52	KSA
25A	KH25	T902/GBA002 *KS52	KSA
32A	KH32	T902/GBA002 *KL12	KLC
40A	KH40	T902/GBA002 *KL12	KLC
63A	KH63	T902/GBA002 *KL72	KLE
80A	KH80	T902/GBA002 *KL72	KLE
100A	KH85	T902/GBA012 *KL72	KLE
125A			
125A ³⁾			
160A			

Mild Steel



- IP66 protection.
- auxiliary contacts provided with 3 & 4 pole switches.
- black handle, padlockable in Off position.
- earth terminal & lid bonding link included.
- grey powder paint finish, colour RAL7032 (also available in red powder paint finish, colour RAL3000).
- switch interlocked with lid to prevent opening in 'ON' position.

le AC-21A	2 Pole		Encl. Ref
16A	KH16	T902/GBA020 *MB2	MB2
20A	KH20	T902/GBA020 *MB2	MB2
25A	KH25	T902/GBA020 *MB2	MB2
32A	KH32	T902/GBA020 *MB2	MB2
40A	KH40	T902/GBA020 *MB2	MB2
63A	KH63	T902/GBA020 *MB3	MB3
80A	KH80	T902/GBA020 *MB3	MB3
100A	KH85	T902/GBA020 *MB3	MB3
125A			
125A ³⁾			
160A			

Stainless Steel



- IP66 protection.
- auxiliary contacts provided with 3 & 4 pole switches.
- black handle, padlockable in Off position.
- earth terminal & lid bonding link included.
- bright stainless steel enclosure, grade 316L.
- switch interlocked with lid to prevent opening in 'ON' position.

le AC-21A	2 Pole		Encl. Ref
16A	KH16	T902/GBA025 *SB2	SB2
20A	KH20	T902/GBA025 *SB2	SB2
25A	KH25	T902/GBA025 *SB2	SB2
32A	KH32	T902/GBA025 *SB2	SB2
40A	KH40	T902/GBA025 *SB2	SB2
63A	KH63	T902/GBA025 *SB3	SB3
80A	KH80	T902/GBA025 *SB3	SB3
100A	KH85	T902/GBA025 *SB3	SB3
125A			
125A ³⁾			
160A			

Notes

- 1) 2-off electrical isolated, early break, auxiliary contacts are provided with the 3 & 4 pole switches. One of these contacts closes in pos'n 1 and the other contact closes in pos'n 2. Both of the contacts are open in the Off pos'n.
- 2) Switched neutral pole is early make / late break.
- 3) KG125 suitable for applications requiring larger cable termination and increased enclosure size.

LOAD SWITCH - Changeover Switch with Centre Off - 4 Pole
32A - 315A



- IP66 protection.
- black handle, padlockable in Off position.
- earth terminal & lid bonding link included.
- grey powder paint finish, colour RAL7032 (also available in red powder finish, colour RAL3000).
- switch interlocked with lid to prevent opening in 'ON' position.

le AC-21A	Order Code No.		Encl. Ref.
4 Pole			
32A	CA25	A213/GBA009 *MB20	MB20
40A	C32	A213/GBA009 *MB20	MB20
63A	C42	A213/GBA009 *MB20	MB20
100A	C80	A213/GBA009 *MB22	MB22
150A	C125	A213/GBA009 *MB22	MB22
200A	C200-4	A213/GBA002 *MB10	MB10
275A	C315	A213/GBA002 *MB10	MB10
315A	C315	A213/GBA010 *MB29	MB29

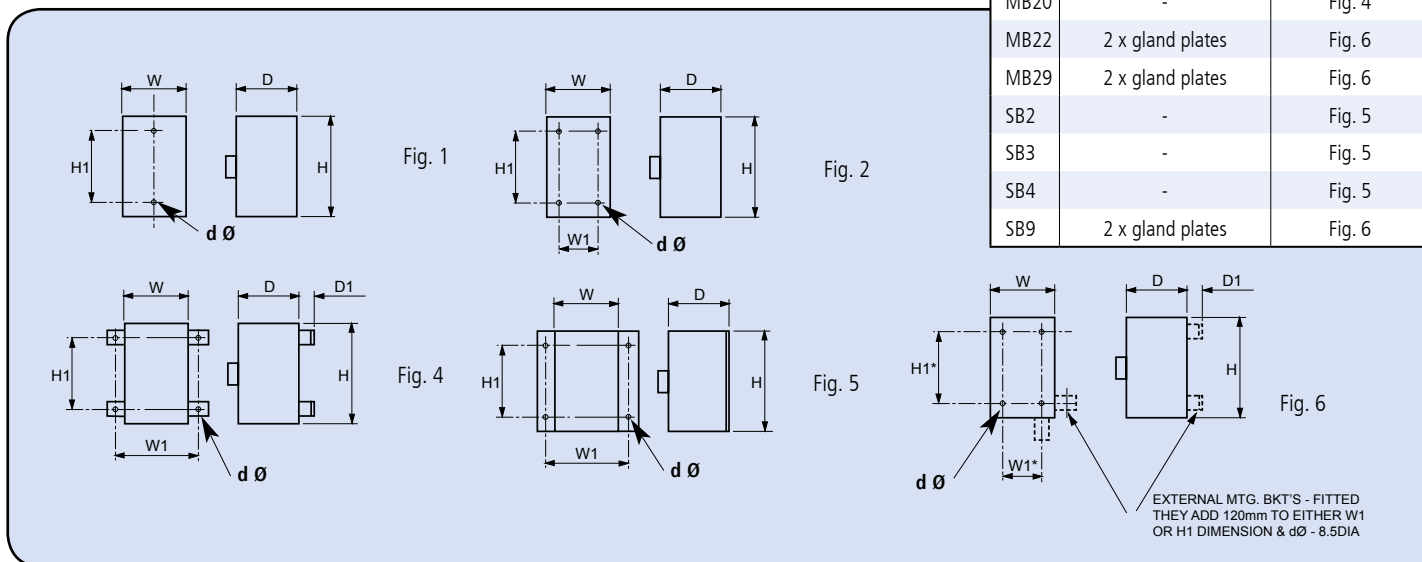
DIMENSIONS

3 Pole ¹⁾		Encl. Ref	4 Pole (3ph+Sw N ²⁾ ¹⁾		Encl. Ref
KG20B	T903/GBA013 *KL	KLC	KG20B	T904/GBA014 *KL	KLD
KG32B	T903/GBA013 *KL	KLC	KG32B	T904/GBA014 *KL	KLD
KG41B	T903/GBA013 *KL	KLD	KG41B	T904/GBA004 *ST	ST2
KG64B	T903/GBA013 *KL	KLD	KG64B	T904/GBA004 *ST	ST2
KG80	T903/GBA013 *ST	STE	KG80	T904/GBA004 *ST	ST3
KG100	T903/GBA013 *ST	STE	KG100	T904/GBA004 *ST	ST3
			KG105	T904/GBA004 *ST	ST3
KG125	T903/GBA035 *ST	ST4	KG125	T904/GBA045 *ST	ST4
KG160	T903/GBA035 *ST	ST4	KG160	T904/GBA045 *ST	ST4

3 Pole ¹⁾		Encl. Ref	4 Pole (3ph+Sw N ²⁾ ¹⁾		Encl. Ref
KG20B	T903/GBA030 *MB3	MB3	KG20B	T904/GBA040 *MB3	MB3
KG32B	T903/GBA030 *MB3	MB3	KG32B	T904/GBA040 *MB3	MB3
KG41B	T903/GBA030 *MB3	MB3	KG41B	T904/GBA040 *MB3	MB3
KG64B	T903/GBA030 *MB3	MB3	KG64B	T904/GBA040 *MB3	MB3
KG80	T903/GBA030 *MB4	MB4	KG80	T904/GBA040 *MB4	MB4
KG100	T903/GBA030 *MB4	MB4	KG100	T904/GBA040 *MB4	MB4
			KG105	T904/GBA040 *MB4	MB4
KG125	T903/GBA055 *MB9	MB9	KG125	T904/GBA065 *MB9	MB9
KG160	T903/GBA055 *MB9	MB9	KG160	T904/GBA065 *MB9	MB9

3 Pole ¹⁾		Encl. Ref	4 Pole (3ph+Sw N ²⁾ ¹⁾		Encl. Ref
KG20B	T903/GBA050 *SB3	SB3	KG20B	T904/GBA060 *SB3	SB3
KG32B	T903/GBA050 *SB3	SB3	KG32B	T904/GBA060 *SB3	SB3
KG41B	T903/GBA050 *SB3	SB3	KG41B	T904/GBA060 *SB3	SB3
KG64B	T903/GBA050 *SB3	SB3	KG64B	T904/GBA060 *SB3	SB3
KG80	T903/GBA050 *SB4	SB4	KG80	T904/GBA060 *SB4	SB4
KG100	T903/GBA050 *SB4	SB4	KG100	T904/GBA060 *SB4	SB4
			KG105	T904/GBA060 *SB4	SB4
KG125	T903/GBA075 *SB9	SB9	KG125	T904/GBA085 *SB9	SB9
KG160	T903/GBA075 *SB9	SB9	KG160	T904/GBA085 *SB9	SB9

Encl. Ref.	Encl. Dim.				Encl. Dim.		
	H	W	D	D1	H1	W1	d
KSA	120	85	80	-	110	-	4.2
KLC	190	100	91	-	178	-	5.6
KLD	250	145	107	-	229	124	6.5
KLE	250	145	107	-	229	124	6.5
STE	280	190	230	-	254	164	7
ST2	280	190	130	-	254	164	7
ST3	380	280	180	-	354	254	7
ST4	560	380	180	-	534	354	7
MB2	194	119	115	-	133	137	6
MB3	254	149	125	8	193	167	6
MB4	309	234	150	8	248	252	6
MB9	500	400	175	-	440	340	6.5
MB10	500	400	300	-	440	340	6.5
MB20	250	175	175	-	225	195	6
MB22	400	300	275	-	340	240	6.5
MB29	750	450	300	-	690	390	6.5
SB2	194	119	116.5	-	133	137	6
SB3	254	149	126.5	-	193	167	6
SB4	309	234	151.5	-	248	252	6
SB9	500	400	175	-	440	340	6.5
Encl. Ref.	Cable Entries.				Line Drg.		
KSA	4 x 20mm k'outs				Fig. 1		
KLC	4 x 25mm k'outs				Fig. 1		
KLD	4 x 25mm k'outs				Fig. 2		
KLE	4 x 40mm k'outs				Fig. 2		
STE	1 x gland plate				Fig. 2		
ST2	2 x gland plates				Fig. 2		
ST3	2 x gland plates				Fig. 2		
ST4	2 x gland plates				Fig. 2		
MB2	-				Fig. 4		
MB3	-				Fig. 4		
MB4	-				Fig. 4		
MB9	2 x gland plates				Fig. 6		
MB10	2 x gland plates				Fig. 6		
MB20	-				Fig. 4		
MB22	2 x gland plates				Fig. 6		
MB29	2 x gland plates				Fig. 6		
SB2	-				Fig. 5		
SB3	-				Fig. 5		
SB4	-				Fig. 5		
SB9	2 x gland plates				Fig. 6		





AC Switch Disconnectors - Single & Three Phase AC-21A
25 - 40A



Switch - Disconnector 3 & 4 pole.

- IP66/67 Protection.
- red/yellow padlockable handle.
- insulated enclosure, grey, RAL7035.
- earth terminal included.
- switch interlocked with lid to prevent opening in 'ON' position.

AC Switch Disconnectors - for Single Phase

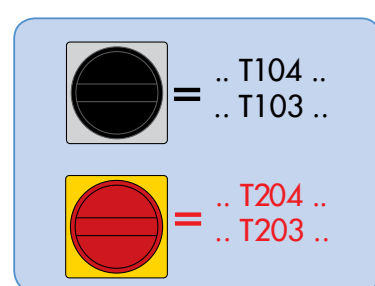
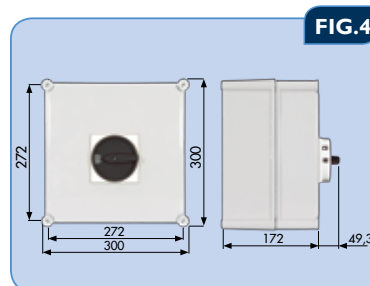
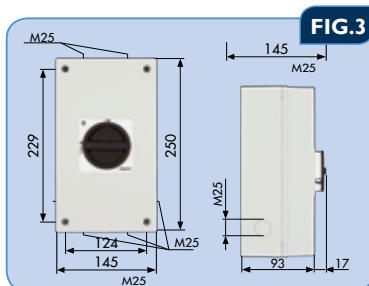
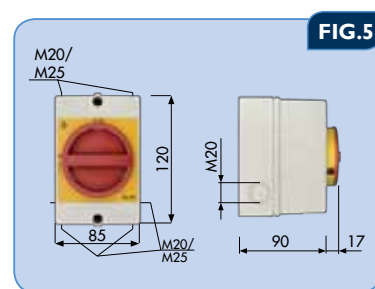
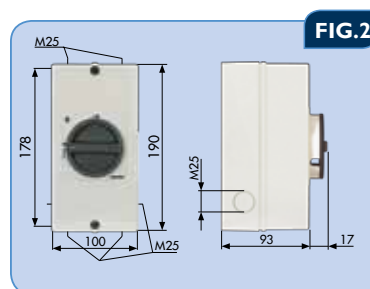
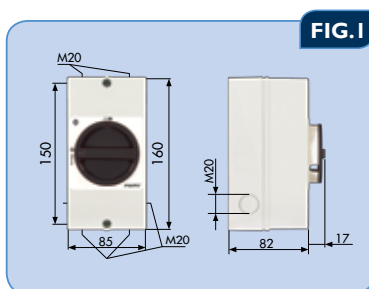
Current Rating AC-21A (per contact)	Order Code No.	FIG.
25A	KG20 T203/GBA270*KS1V	5
25A	KG20 T203/GBA294*KL ¹⁾	1
32A	KG32 T203/GBA294*KL ¹⁾	1
40A	KG41 T203/GBA270*KL1V	2

AC Switch Disconnectors - for Three Phase (3ph + Sw N²⁾)

Current Rating AC-21A (per contact)	Order Code No.	FIG.
25A	KG20 T204/GBA290*KS1V	5
25A	KG20 T204/GBA486 KL51V ¹⁾	1
32A	KG32 T204/GBA486 KL51V ¹⁾	1
40A	KG41 T204/GBA290*KL1V	2

¹⁾ Larger enclosure to match KG20/32 T104 DC enclosure

²⁾ Switched neutral pole is early make / late break.



Switch - Disconnecter 2 & 4 pole.

- IP66/67 Protection.
- black/grey padlockable handle.
- insulated enclosure, grey, RAL7035.
- switch interlocked with lid to prevent opening in 'ON' position.
- class II compliant.
- rated for use in ambient temperatures of 50°C.

**Single String DC Switch Disconnectors - Selection Chart DC-21B**

450V	500V	650V	800V	920V	1000V	Order Code No.	FIG.	
25A	21A	20A	18A	11A		KG20 T104/D-P003 KL51V	1	
28A	28A	25A	23A	15A	12A	KG32 T104/D-P003 KL51V	1	
40A						KG41 T104/D-P003 KL11V	2	
			21A		20A	KG20B T106/D-P003 KL11V	2	
			27A		25A	KG32B T106/D-P003 KL11V	2	
		40A	28A			KG41B T106/D-P003 KL11V	3	
			25A			KG20B T108/D-P003 KL11V	3	
					26A	KG32B T108/D-P003 KL11V	3	
				40A	35A	KG41B T108/D-P003 KL11V	3	
		60A				KG80C T106/D-P003 STM	4	
			60A			KG80C T108/D-P003 STM	4	

Two String DC Switch Disconnectors - Selection Chart DC-21B

Ratings Per String						Order Code No.	FIG.	
220V	280V	340V	400V	460V	500V			
25A	21A	20A	18A	11A		KG20 T104/GB-P103 KL51V	1	
28A	28A	25A	23A	15A	12A	KG32 T104/GB-P103 KL51V	1	
40A						KG41 T104/GB-P103 KL11V	2	
Ratings Per String						Order Code No.	FIG.	
330V	420V	510V	600V	690V	750V			
25A	21A	20A	18A	11A		KG20B T106/GB-P103 KL11V	2	
27A	27A	25A	23A	15A	12A	KG32B T106/GB-P103 KL11V	2	
40A	28A					KG41B T106/GB-P103 KL11V	3	
Ratings Per String						Order Code No.	FIG.	
440V	560V	680V	800V	920V	1000V			
25A	21A	20A	18A	11A		KG20B T108/GB-P103 KL11V	3	
26A	26A	25A	23A	15A	12A	KG32B T108/GB-P103 KL11V	3	
40A	28A					KG41B T108/GB-P103 KL11V	3	

Please select the correct switch disconnecter according to the maximum voltage and current output of all upstream PV modules, this must include all corrective factors according to relevant standards.



Emergency Stop Pushbutton Station - without protective shroud
 38mm diameter red mushroom head - Twist to reset. 1 N.C. contact. Complies with EN 418/EN 60204-1.



Order Code No.	P SN-GB0001	P N261/GBA005 *SF1A	P N091/GBA023 *SB31	P N091/GBA016 *RB31	P N091/GBA017 *MB31
Encl.Ref.	P1Y	SF1A	SB31	RB31	MB31
	<ul style="list-style-type: none"> ● Insulated enclosure. ● IP67/IP69K. 	<ul style="list-style-type: none"> ● Flush mounted stainless steel 316L. ● IP40 (IP65 achievable with sealant). ● Galvanised back box. ● Earth stud included. 	<ul style="list-style-type: none"> ● Surface mounted stainless steel. ● Grade 316L. ● IP66. ● Earth terminal & lid bonding link. 	<ul style="list-style-type: none"> ● Surface mounted Red RAL3000. ● Mild steel. ● IP66. ● Earth terminal & lid bonding link. 	<ul style="list-style-type: none"> ● Surface mounted Grey RAL7032. ● Mild steel. ● IP66. ● Earth terminal & lid bonding link.

Emergency Stop Pushbutton Station - without protective shroud
 38mm diameter red mushroom head - Key operate to reset (1 key included)



Order Code No.	P SN-GB0003	P N261/GBA007 *SF1A	P N091/GBA024 *SB31	P N091/GBA018 *RB31	P N091/GBA019 *MB31
Encl.Ref.	P1Y	SF1A	SB31	RB31	MB31
	<ul style="list-style-type: none"> ● Insulated enclosure. ● IP67/IP69K. 	<ul style="list-style-type: none"> ● Flush mounted stainless steel 316L. ● IP40 (IP65 achievable with sealant). ● Galvanised back box. ● Earth stud included. 	<ul style="list-style-type: none"> ● Surface mounted stainless steel. ● Grade 316L. ● IP66. ● Earth terminal & lid bonding link. 	<ul style="list-style-type: none"> ● Surface mounted Red RAL3000. ● Mild steel. ● IP66. ● Earth terminal & lid bonding link. 	<ul style="list-style-type: none"> ● Surface mounted Grey RAL7032. ● Mild steel. ● IP66. ● Earth terminal & lid bonding link.

Emergency Stop Pushbutton Station - without protective shroud
 94mm diameter red mushroom head, palm/foot switch - Pull to reset.



Order Code No.	P SN-GB0024	
Encl.Ref.	P2Y	<ul style="list-style-type: none"> ● Insulated enclosure. ● IP67/IP69K.

Take a LOOK at our FLUSH MOUNTING options

Go to page 11

- Ideal for applications where hygiene is a high priority i.e. kitchens and hospitals.
- Auxiliary contacts available.

Emergency Stop Pushbutton Station - with protective shroud

38mm diameter red mushroom head - Twist to reset. 1 N.C. contact. Complies with EN 418/EN 60204-1.



Order Code No.	P SN-GB0053	P N261/GBA010 *SF1A	P N091/GBA025 *SB31	P N091/GBA020 *RB31	P N091/GBA021 *MB31
Encl.Ref.	P1Y	SF1A	SB31	RB31	MB31
	<ul style="list-style-type: none"> • Insulated enclosure. • IP67/IP69K. 	<ul style="list-style-type: none"> • Flush mounted stainless steel 316L. • IP40 (IP65 achievable with sealant). • Galvanised back box. • Earth stud included. 	<ul style="list-style-type: none"> • Surface mounted stainless steel. • Grade 316L. • IP66. • Earth terminal & lid bonding link. 	<ul style="list-style-type: none"> • Surface mounted Red RAL3000. • Mild steel. • IP66. • Earth terminal & lid bonding link. 	<ul style="list-style-type: none"> • Surface mounted Grey RAL7032. • Mild steel. • IP66. • Earth terminal & lid bonding link.

Emergency Stop Pushbutton Station - with protective shroud

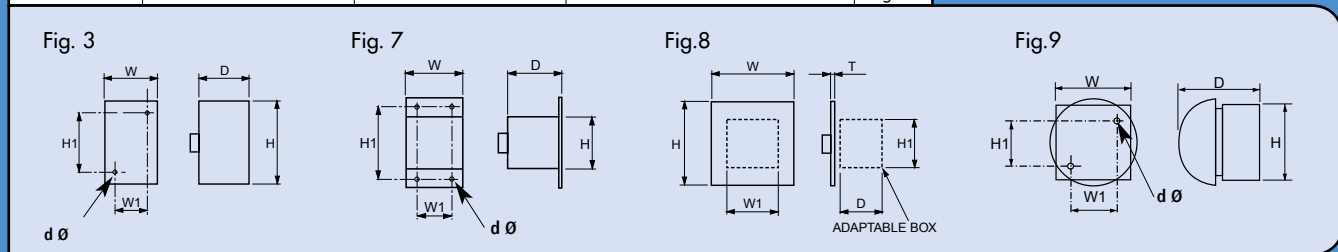
38mm diameter red mushroom head - Key operate to reset (1 key included)



Order Code No.	P SN-GB0054	P N261/GBA011 *SF1A	P N091/GBA026 *SB31	P N091/GBA022 *RB31	P N091/GBA023 *MB31
Encl.Ref.	P1Y	SF1A	SB31	RB31	MB31
	<ul style="list-style-type: none"> • Insulated enclosure. • IP67/IP69K. 	<ul style="list-style-type: none"> • Flush mounted stainless steel 316L. • IP40 (IP65 achievable with sealant). • Galvanised back box. • Earth stud included. 	<ul style="list-style-type: none"> • Surface mounted stainless steel. • Grade 316L. • IP66. • Earth terminal & lid bonding link. 	<ul style="list-style-type: none"> • Surface mounted Red RAL3000. • Mild steel. • IP66. • Earth terminal & lid bonding link. 	<ul style="list-style-type: none"> • Surface mounted Grey RAL7032. • Mild steel. • IP66. • Earth terminal & lid bonding link.

DIMENSIONS

Encl. Ref.	Front Plate			Cable Entries.			Line Drg.
	H	W	D	H1	W1	D	
P1Y	80	72	56	66.5	58.5	4.5	1 x 20mm + 2 x20/25mm k'outs Fig. 3
P2Y	85	85	101	40	65	5.5	3 x 20mm k'outs Fig. 9
SF1A	100	100	2	78	78	52	8 x 20mm k'outs Fig. 8
SB31	100	100	90	120	70	6.5	- Fig. 7
RB31	100	100	60	120	70	6.5	- Fig. 7
MB31	100	100	60	120	70	6.5	- Fig. 7





Rotary Control Switch - Insulated Enclosure



Grey Enclosure IP65

			Order Code No.	Encl. Ref.
Off-On	1 pole		KN1	PF1A
Off-On	3 pole		KN3	PF1B
Changeover, without Off	1 pole		KN2	PF1A
Changeover, with Off	2 pole		KN10	PF1B

Key Operated Control Switch - Insulated Enclosure



Grey Enclosure IP40

Notes 1) Key removable in all positions. 2) Key removable in '0' position only.			Order Code No.	Encl. Ref.
Off-On ¹⁾	3 pole		CA10 A202/GBA003 *PN	PN1G
Off-On ¹⁾	4 pole		CA10 A203/GBA003 *PN	PN1G
Changeover, with Off ¹⁾	2 pole		CA10 A211/GBA009 *PN	PN1G
Changeover, without Off ¹⁾	2 pole		CA10 A221/GBA003 *PN	PN1G
Changeover, spring return to Off ²⁾	2 pole		CA10 A215/GBA002 *PN	PN1G
Step, 3 pos'n, without Off ¹⁾	1 pole		CA10 A230/GBA002 *PN	PN1G
Step, 4 pos'n, without Off ¹⁾	1 pole		CA10 A231/GBA004 *PN	PN1G

LOAD SWITCHES

insulated enclosure

Emergency-Off Switch - 3 & 4 Pole
25A & 32A



- grey insulated enclosure.
- IP65 protection.
- red/yellow padlockable handle.
- earth terminal included.
- suitable for safety isolation in accordance with EC 60947-3/BS EN 60947-3.

le AC-21A	Order Code No.	Encl.Ref.
3 pole		
25A	KN5	PF1E
32A	KN7	PF1E
4 pole (3 ph+Sw N¹⁾)		
25A	KN6	PF1E
32A	KN8	PF1E

Motor Reversing Switch
3 Phase 5.5kW @ 415v & 1 Phase 1.5kW @ 240v



- grey insulated enclosure.
- IP42 protection.
- grey handle/silver legend.
- earth terminal included.

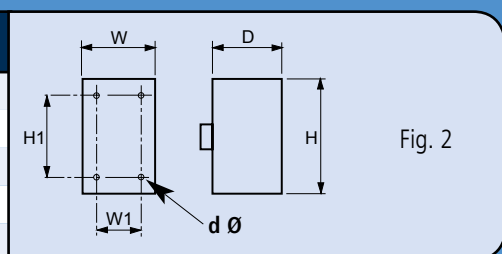
Order Code No.	Encl.Ref.
KN4	PN1C

CONNECT LINK (SUPPLIED) BETWEEN TERMINALS 1 & 5

RUN WINDING START WINDING

DIMENSIONS

Encl. Ref.	Encl. Dim.			Encl. Dim.			Cable Entries.	Line Drg.
	H	W	D	H1	W1	d		
PF1A	72	64	42	36	50	4.4	4 x 20mm ISO	Fig. 2
PF1B	72	64	51	36	50	4.4	4 x 20mm ISO	Fig. 2
PF1E	92	82	65	52	68	4.4	4 x 20mm ISO	Fig. 2
PN1C	72	64	56	36	50	4.4	4 x 20mm ISO	Fig. 2
PN1G	72	64	69	36	50	4.4	4 x 20mm ISO	Fig. 2



TECHNICAL DATA

Switch Type	Thermal Rating	Insulation Voltage, U _i	Rated operating Current & power				Short Circuit Protection	Terminal Capacity		
			Operational current, I _e		Operational Power, 3 ph.			Max. fuse gL/gG char.	Single core/stranded wire.	Flexible wire, with sleeve.
	Enclosed rating I _{the}		AC-15	AC-21A	AC-3	AC-23A	A			
	A	V	110V 220-240V 380-415V	690V	220V-240V 380-415V	230V-240V 400-415V	A	mm ²	mm ²	mm ²
Switch-disconnectors - selection data in accordance with: IEC 60947, IEC 60204, BS EN 60947, BS EN 60204										
KG10	20	690	- - -	20	2.2 3.7	3 5.5	20	2.5	1.5	-
KG20	25	690	- - -	25	4 5.5	5.5 7.5	35	6	4	-
KG32	32	690	- - -	32	5.5 7.5	5.5 11	35	6	4	-
KG41	40	690	- - -	40	7.5 11	7.5 15	50	16	10	-
KG64	63	690	- - -	63	11 18.5	11 22	63	16	10	-
KG80	80	690	- - -	80	15 22	18.5 30	80	50	35	-
KG100	100	690	- - -	100	18.5 30	22 37	100	50	35	-
KG105	125	690	- - -	125	22 37	25 45	125	50	35	-
KG125	125	1000 ¹⁾	- - -	125	22 37	30 45	125	95	70	-
KG160	160	1000 ¹⁾	- - -	160	30 45	30 55	160	95	70	-
KG210	200	1000 ¹⁾	- - -	200	37 55	37 75	200	185	120	-
KG250	250	1000 ¹⁾	- - -	250	37 55	37 90	250	185	120	-
KG315	315	1000 ¹⁾	- - -	315	45 75	55 110	315	185	120	-
KH16	16	800 ¹⁾	- - -	16	3 5.5	4.5 7.5	25	6	4	-
KH20	20	800 ¹⁾	- - -	20	3.5 6.5	5.5 10	32	6	4	-
KH25	25	800 ¹⁾	- - -	25	4 7.5	7 12	35	6	4	-
KH32	32	800 ¹⁾	- - -	32	5.5 11	9 16	35	10	6	-
KH40	40	800 ¹⁾	- - -	40	7.5 15	11 20	50	10	6	-
KH63	63	1000 ¹⁾	- - -	63	11 22	18.5 30	80	35	25	-
KH80	80	1000 ¹⁾	- - -	80	15 30	23 40	100	35	25	-
KH85	100	1000 ¹⁾	- - -	100	3) 3)	3) 3)	100	35	25	-
UK20	20	690	5 5 4	20	3 5.5	3.7 7.5	25	2x2.5	2x2.5	-
UK25	25	690	8 8 5	25	4 7.5	5.5 11	35	2x4	2x2.5	-
UK32	32	690	12 12 6	32	5.5 11	7.5 15	35	2x6	2x4	-
UK250/A	250	1000	- - -	250	- -	75 140	315	150	M8	
UK315/A	315	1000	- - -	315	- -	100 160	500	240	M10	
UK400/A	400	1000	- - -	400	- -	132 220	500	240	M10	
UK630/A	630	1000	- - -	630	- -	200 355	800	400/2x155	M12	
UK800/A	800	1000	- - -	800	- -	250 450	800	500/2x240	M12	
UK1000/A	1000	1000	- - -	1000	- -	- 560	1250	630/2x400	M12	
UK1250/A	1250	1000	- - -	1250	- -	- 710	1250	2x400	M12	
C316 (6 pole) (in RB10, MB10, SB10 encl)	275	1000	- - -	275	37 55	75 132	315	150	150	M12
C316 (6 pole) (in RB29, MB29, SB29 encl)	315	1000	- - -	315	37 55	75 132	315	185	150	M12
Switch & Control Stations - selection data in accordance with: IEC 60947, BS EN 60947.										
CA10	20	690	5 5 4	20	3 5.5	3.7 7.5	25	2x2.5	2x2.5	-
CA25	32	690	12 12 6	32	5.5 11	7.5 15	35	2x6	2x4	-
C32	50	690	16 16 7	40	7.5 15	11 22	63	2x10	2x6	-
C42	63	690	- - -	63	11 18.5	15 30	80	2x16	2x10	-
C80	115	690	- - -	100	15 30	30 45	125	35	25	-
C125	150	690	- - -	150	22 37	37 75	200	70	50	-
C200-4	200	690	- - -	200	22 37	37 75	200	95	95	M8
C315 (In MB10 encl)	275	690	- - -	275	37 55	75 132	315	150	150	M12
C315 (In MB29 encl)	315	690	- - -	315	37 55	75 132	315	185	150	M12
KN1/KN2/KN3/KN10	20	690	5 5 4	20	3 5.5	3.7 7.5	25	2x2.5	2x2.5	-
KN4	20	690	- - -	-	3 ²⁾ 5.5 ²⁾	- -	25	2x2.5	2x2.5	-
KN5/KN6	25	690	8 8 5	25	4 7.5	5.5 11	35	2x4	2x2.5	-
KN7/KN8	32	690	14 14 6	32	5.5 11	7.5 15	50	2x6	2x4	-
P N/P SN	6	500	6 6 4	-	- -	- -	10	2.5	1.5	-

Notes: 1) Only valid for no-load switching (AC-20A) above 690v.

2) 1 phase, 240v, rating = 1.5kW.

3) KH85 is only available as 2 pole changeover switch.

Single phase rating @240v: AC-3 = 10kW, 62A. AC-23A = 11kW, 68A.

Kraus & Naimer

115 London Road, Newbury, Berkshire RG14 2AH
Fax: 01635 37807 Email: sales-uk@krausnaimer.com
www.krausnaimer.co.uk

Direct Sales Line
01635 262626