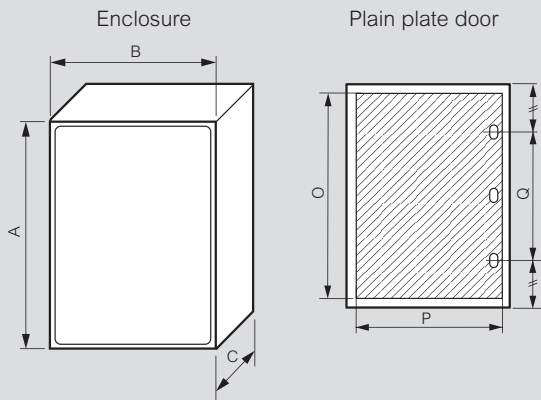


# Atlantic stainless steel wall mounting enclosures

IP 66 - IK 10 - Nema 4x (continued)

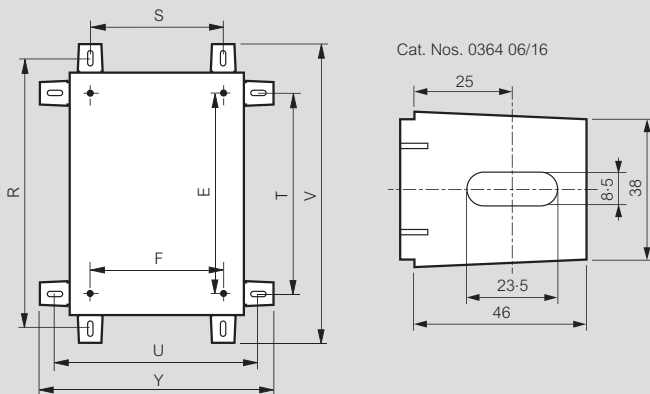
## ■ Dimensions



| Cat. Nos.  | Height | Width  | Depth  | Usable door surface area |        | Lock positions |
|------------|--------|--------|--------|--------------------------|--------|----------------|
|            | A (mm) | B (mm) | C (mm) | O (mm)                   | P (mm) |                |
| 0352 00/40 | 301-6  | 199-6  | 161-5  | 250                      | 150    | Centred        |
| 0352 01/41 | 401-6  | 299-6  | 201-5  | 350                      | 250    | Centred        |
| 0352 02/42 | 501-6  | 399-6  | 201-5  | 450                      | 350    | 250            |
| 0352 03    | 601-6  | 399-6  | 201-5  | 550                      | 350    | 380            |
| 0352 05/45 | 601-6  | 399-6  | 251-5  | 550                      | 350    | 380            |
| 0352 06/46 | 702-4  | 500    | 251-5  | 650                      | 450    | 400            |
| 0352 11/47 | 802-4  | 600    | 301-5  | 750                      | 550    | 400            |
| 0352 13/53 | 1003-6 | 800-6  | 301-5  | 950                      | 750    | 600            |

**Note :** Dimension C does not include lock  
Lock thickness = 4 mm

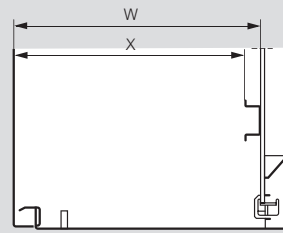
## ■ Fixing positions for wall mounting brackets



| Cat. Nos.  | Vertical wall brackets |        | Horizontal wall brackets |        | Dimensions |        |        |        |
|------------|------------------------|--------|--------------------------|--------|------------|--------|--------|--------|
|            | R (mm)                 | S (mm) | T (mm)                   | U (mm) | V (mm)     | Y (mm) | E (mm) | F (mm) |
| 0352 00/40 | 353                    | 150    | 250                      | 250    | 395        | 292    | 225    | 169    |
| 0352 01/41 | 453                    | 250    | 350                      | 350    | 495        | 392    | 325    | 269    |
| 0352 02/42 | 553                    | 350    | 450                      | 450    | 595        | 492    | 425    | 369    |
| 0352 03    | 653                    | 350    | 550                      | 450    | 695        | 492    | 525    | 369    |
| 0352 05/45 | 653                    | 350    | 550                      | 450    | 695        | 492    | 525    | 369    |
| 0352 06/46 | 753                    | 450    | 650                      | 550    | 795        | 592    | 625    | 469    |
| 0352 11/47 | 853                    | 550    | 750                      | 650    | 895        | 692    | 725    | 569    |
| 0352 13/53 | 1053                   | 750    | 950                      | 850    | 1095       | 892    | 925    | 769    |

## Position of equipment

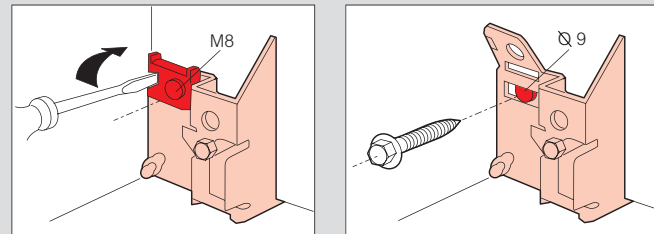
Without runners  
For runners, contact us on +44 (0) 845 605 4333



| Enclosure Depth (mm) | Without runners |        |
|----------------------|-----------------|--------|
|                      | W (mm)          | X (mm) |
| 160                  | 140             | 125    |
| 200                  | 180             | 165    |
| 250                  | 230             | 215    |
| 300                  | 280             | 265    |

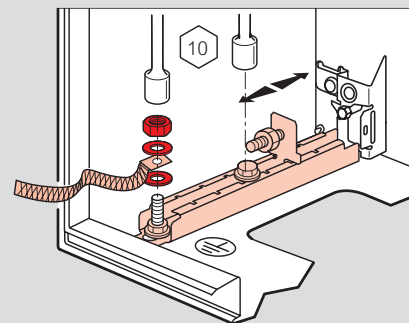
## Active corner

Provides quick and easy fixing  
Transfers equipment weight to wall fixings



## Fixing method for runners and depth adjustment brackets

Contact us on +44 (0) 845 605 4333



Mounting plates p. 23



# Marina wall mounting enclosures

Polyester (GRP) IP 66 - IK 10



0362 56



0362 76



0362 63 + plinth Cat. No. 0362 92  
+ roof Cat. No. 0362 95

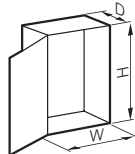


0362 55 +  
wall brackets Cat. No. 0364 09

Technical information and dimensions **p. 19-20**  
Equipment **p. 23-31**

Grey RAL 7035  
IP 66 according to IEC EN 60529  
IK 10 according to IEC EN 62262 (EN 50102)  
Class II insulation for final assembly according to IEC EN 60439-1  
Glass fibre reinforced polyester (GRP) enclosures  
Self extinguishing at 960 °C according to IEC EN 60695-2-11  
Designed for corrosive environments  
Reversible door, 180° opening<sup>1</sup>  
2 x double bar locks<sup>1</sup>  
Captive stainless steel hinge pins<sup>1</sup>  
Mounting plate/equipment can be fixed directly to the rear of the enclosure  
Accepts partial plate from 500 x 400 x 200 mm and/or rails<sup>1</sup>  
Optional depth adjustment kit (Cat. No. 0362 42) available for enclosures 400 mm high and above  
For wall mounting, wall mounting brackets must be ordered separately

| Pack  | Cat. Nos. | GRP enclosures |       |       |             |             |      |
|---|-----------|----------------|-------|-------|-------------|-------------|------|
| <b>Plain door</b>                           |           |                |       |       |             |             |      |
| External dimensions (mm)                    |           |                |       |       |             |             |      |
|   |           | Height         | Width | Depth | Weight (kg) |             |      |
| 1   | 0362 50   | 300            | 220   | 160   | 1.75        |             |      |
| 1   | 0362 51   | 400            | 300   | 206   | 3.7         |             |      |
| 1   | 0362 52   | 500            | 400   | 206   | 5.1         |             |      |
| 1   | 0362 55   | 610            | 400   | 257   | 6.4         |             |      |
| 1   | 0362 56   | 720            | 510   | 250   | 11.2        |             |      |
| 1   | 0362 61   | 820            | 610   | 300   | 15.2        |             |      |
| 1   | 0362 63   | 1020           | 810   | 300   | 21.8        |             |      |
| 1   | 0362 64   | 1220           | 810   | 300   | 25.0        |             |      |
| <b>Glazed door with tinted glass window</b> |           |                |       |       |             |             |      |
| External dimensions (mm)                    |           |                |       |       |             |             |      |
|   |           | Height         | Width | Depth | Window (mm) | Weight (kg) |      |
|   |           |                |       |       | Height      | Width       |      |
| 1   | 0362 71   | 400            | 300   | 206   | 235         | 145         | 4.0  |
| 1   | 0362 72   | 500            | 400   | 206   | 335         | 245         | 5.6  |
| 1   | 0362 75   | 610            | 400   | 257   | 463         | 245         | 7.0  |
| 1   | 0362 76   | 720            | 510   | 250   | 570         | 272         | 12.3 |
| 1   | 0362 81   | 820            | 610   | 300   | 672         | 372         | 16.7 |



| Pack                              | Cat. Nos. | Fixing accessories                           |                |
|-----------------------------------|-----------|--|----------------|
| IP 66 maintained                  |           |  |                |
| <b>Wall mounting brackets</b>     |           |  |                |
| Set of 4, supplied with screws    |           |  |                |
| For enclosures                    |           |  |                |
|                                   |           | Height (mm)                                  | Max. load (kg) |
| 1                                 | 0364 08   | 300  | 100            |
| 1                                 | 0364 09   | 400 to 1 200                                 | 150            |
| <b>Rear with threaded rod</b>     |           |  |                |
| M8 for enclosures height ≥ 400 mm |           |  |                |
| Mounting at back of enclosures    |           |  |                |
| <b>Accessories</b>                |           |  |                |
| 1                                 | 0362 42   | Depth adjustment kit for enclosures ≥ 200 mm |                |
| 4 fixings complete with screws    |           |  |                |



| Roofs               |         |       |       |
|---------------------|---------|-------|-------|
| IK 10               |         |       |       |
| For enclosures (mm) |         |       |       |
|                     |         | Width | Depth |
| 1                   | 0362 93 | 500   | 250   |
| 1                   | 0362 94 | 600   | 300   |
| 1                   | 0362 95 | 800   | 300   |

| Plinths                          |         |       |       |
|----------------------------------|---------|-------|-------|
| Height 170 mm                    |         |       |       |
| Front and rear trap door         |         |       |       |
| Possibility to overlap 2 plinths |         |       |       |
| For enclosures (mm)              |         |       |       |
|                                  |         | Width | Depth |
| 1                                | 0362 91 | 600   | 300   |
| 1                                | 0362 92 | 800   | 300   |

1 : Except Cat. No. 0362 50

Plain and perforated plates **p. 23**  
Modular chassis **p. 25**  
Internal doors **p. 25**  
Sectioned uprights **p. 26**  
Crosspieces **p. 26**  
Locking accessories **p. 28**

Download the full file at

<http://assets.kempstoncontrols.com/doc/Legrand%20Industrial%20and%20power%20protection%20catalogue.pdf>



**KEMPSTON**  
CONTROLS