

MQ15-X- Power female receptacle front mount

PVC 6x2,5 UL/CSA 1,0m

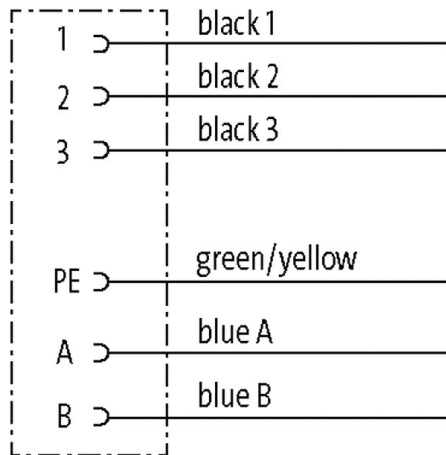
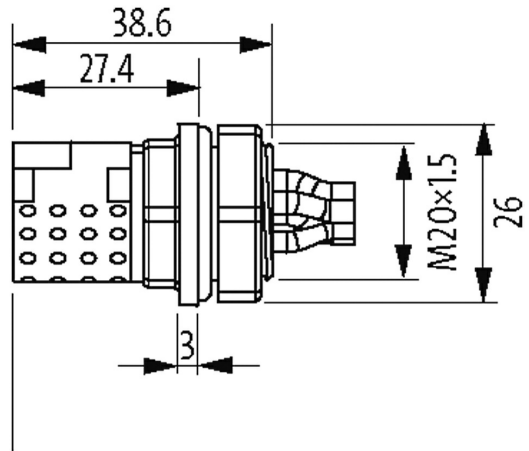
Flange female
MQ15, 6-pole
with multi-strand wire
Front mounting

Plastic housings with good resistance against chemicals and oils. The resistance to aggressive media should be individually tested for your application. Further details on request. Further cable lengths on request.

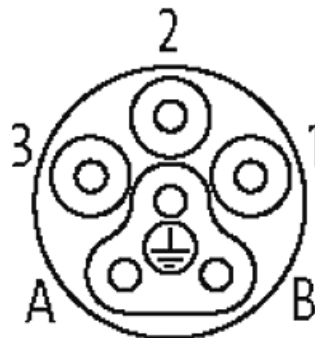
[Link to Product](#)

Illustration

stay connected



Female



Product may differ from Image

Form

Form P8191

Cables

Cable number P80

No./diameter of wires 6x 2.5 mm²

Wire isolation	PVC (bk, bl, num, gnye)
Outer Ø	3.7 mm ±5%
Cable identification	P80
Material (wire)	Cu wire, tin plated
Construction (core)	multi-strand wire class 5 (EN 60228)
Diameter (core)	6 × 2.5 mm ²
AWG	similar to AWG 14
Material (wire isolation)	PVC
Wire-Ø incl. isolation	3.7 mm ±5%
thermal resistance	flame retardant UL VW1, CSA FT1
Nominal voltage	600 V
Test voltage	2500 V AC

Technical Data

Operating voltage	max. 600 V AC (Power); max. 63 V AC/DC (Signal)
Rated surge voltage	2.5 kV
Operating current per contact	max. 16 A (Power); max. 10 A (Signal)
Material group	IEC 60664-1, category I
No. of poles	6
Configuration	fully used
LED display	no
Locking of ports	Quick connection, 1/4 turn
Protection	IP67 inserted and tightened (EN 60529)
Protection NEMA	3, 4, 6P (UL 50E)
Mating cycles	≥ 500
Material	Brass, nickel plated

General data

Mounting method	inserted, tightened
Material (contact carrier)	PA
Material (contact)	Copper alloy
Material (contact surface)	Ag
Pollution Degree	3
Temperature range	-40...+70 °C, depending on cable quality

Commercial data

country of origin	DE
customs tariff number	85444290
EAN	4048879590907
eClass	27279220
Packaging unit	1