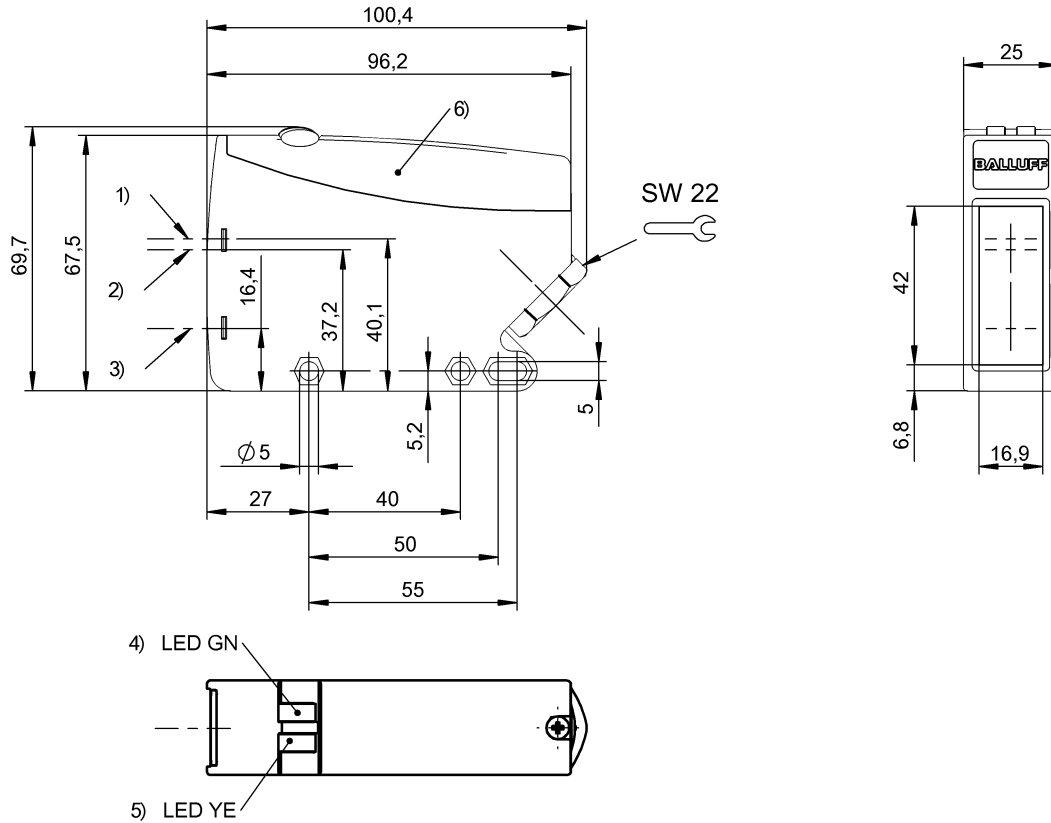
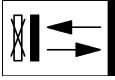


BOS 64K-AA-IH12-TG
Order code: BOS01K1

Photoelectric sensor
 Series 64K
 Light scanner, triangulation
 Sn = 2 m, adjustable

AC/DC
 Relay, changeover contact (1x)
 NO light-on - NC dark-on
 20 Hz
 Infrared

BALLUFF
 sensors worldwide



1) Optical axis receiver max. 2) Optical axis receiver min. 3) Optical axis emitter 4) Stability 5) Output function 6) Removable cover

Basic data

Operating voltage UB DC	24.0 V... 60.0 V
Operating voltage UB AC	24.0 V... 240.0 V
Eff. operating voltage Ue DC	24.0 V
Ripple max. (% of Ue)	10 %
Eff. operating voltage Ue AC	230.0 V
Rated frequency, AC	50/60 Hz
No-load current max. Io at Ue	25 mA
Polarity reversal protected	yes
Protection Class	II
Rated insulation voltage Ui	250 V AC
Indicator	Stability - LED GN Output function - LED YE
Adjuster	Adjusting screw (1x) Slide switch (4x) Potentiometer 240° (1x)
Setting	Time function Light-on/dark-on Switching distance (Sn)
Ambient temperature Ta	-25 °C... 55 °C

Optical data

Principle of optical operation Light scanner, triangulation

Optical special feature

Detection range Sd
 Light type
 Wavelength
 LED group acc. IEC 62471
 Beam characteristic
 Ambient light max.

Background suppression

200...2000 mm
 Infrared
 880 nm
 Exempt group
 Divergent
 5,000 Lux

Electrical data

Eff. operating distance Sr
 Minimum operating distance
 Switching output
 Switching function
 Eff. operating current Ie
 Switching freq. f max. (at Ue)
 Turn on time ton max.
 Turn off time toff max.
 Time function

2,000 mm
 200 mm
 Relay, changeover contact (1x)
 NO-NC
 3,000 mA
 20 Hz
 25.00 ms
 25.00 ms
 Turn-off delay
 Turn-on and -off delay
 Turn-on delay
 Single pulse
 T = 0.6..16 s

Duration of time function

000000000000/224149/0000000000

www.balluff.com

Balluff Germany: +49 7158 173-0, +49 7158 173-370
 Balluff USA: +1-800-543-8390
 Balluff China: +86 21 5089 9970

1 (2)
 Print Date: 10.09.2014
 Selection date: 10.09.2014

BOS 64K-AA-IH12-TG
Order code: BOS01K1

Photoelectric sensor
Series 64K
Light scanner, triangulation
Sn = 2 m, adjustable

BALLUFF

sensors worldwide

AC/DC
Relay, changeover contact (1x)
NO light-on - NC dark-on
20 Hz
Infrared

Mechanical data

Dimensions	25.0 mm x 100.4 mm x 69.7 mm
Mounting type	Screw M4
Tightening torque max.	1.2 Nm
Housing material	PBT 30%GF
Sensing face material	PC
Enclosure Type per IEC 60529	IP67
Connection type	Screw terminal
Cable diameter	8.0 mm.. 10.0 mm

Approval

Approvals / Conformity	CE
	cULus

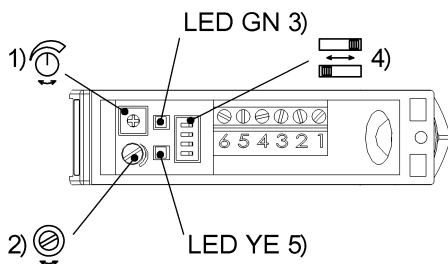
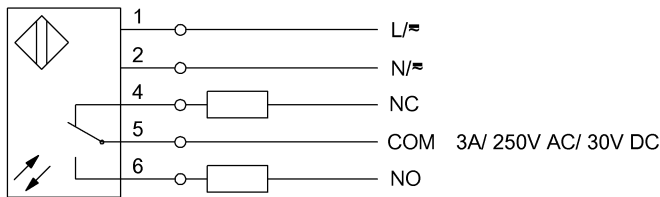
Remarks

Basic standard IEC 60947-5-2
 Reference object (target): Gray card, 200 x 200,
 90 % remission, axial approach.
 For additional information, refer to user's guide.
 Order accessories separately.



Definitions see general catalog

Subject to change without notice.



1) Delay time 2) Background suppression 3) Stability 4)Light-on/dark-on, time func. 5) Output function

000000000000/224149/000000000