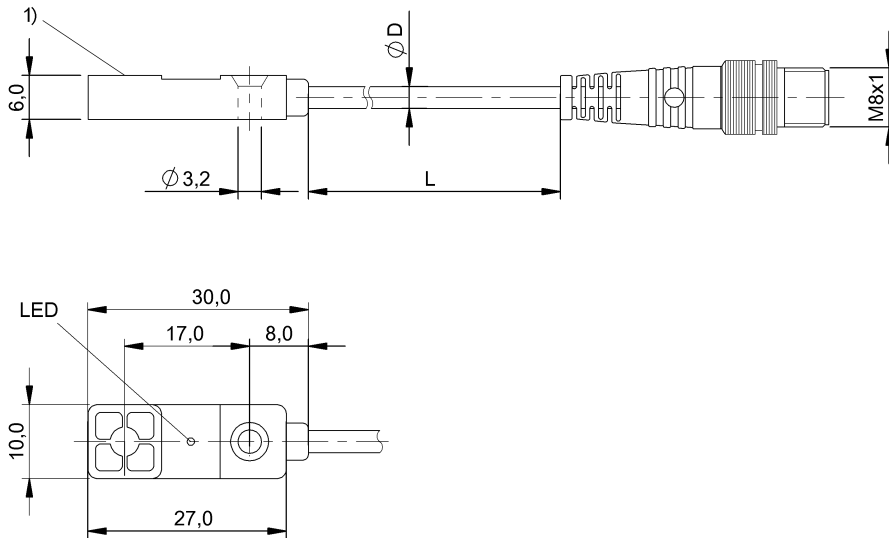


Inductive Sensors
BES R03KC-PSC30B-BP00,5-GS49
 Order Code: **BES044W**

BALLUFF



Basic features

Approval/Conformity	CE UKCA cULus EAC WEEE
Basic standard	IEC 60947-5-2

Display/Operation

Function indicator	yes
Power indicator	no

Electrical connection

Connection	M8x1-Male, 3-pin
Polarity reversal protected	yes
Protection against device mix-ups	yes
Short-circuit protection	yes

Electrical data

Load capacitance max. at Ue	0.2 µF
No-load current I _o max., damped	10 mA
No-load current I _o max., undamped	3 mA
Operating voltage U _b	10...30 VDC
Output resistance R _a	Open collector
Rated insulation voltage U _i	75 V DC
Rated operating current I _e	100 mA
Rated operating voltage U _e DC	24 V
Rated short circuit current	100 A
Ready delay t _v max.	15 ms
Residual current I _r max.	1 µA
Ripple max. (% of U _e)	15 %
Switching frequency	3000 Hz
Utilization category	DC -12
Voltage drop static max.	2.5 V

Environmental conditions

Ambient temperature	-25...70 °C
Contamination scale	3
EN 60068-2-27, Shock	Half-sinus, 30 g _n , 11 ms
EN 60068-2-6, Vibration	55 Hz, amplitude 1 mm, 3x30 min
IP rating	IP67

Functional safety

MTTF (40 °C)	830 a
--------------	-------

Interface

Switching output	PNP normally open (NO)
------------------	------------------------

Inductive Sensors
BES R03KC-PSC30B-BP00,5-GS49
Order Code: **BES044W**



Material

Housing material	PA 6, GF30
Material sensing surface	PA 6, GF30/black

Mechanical data

Dimension	30 x 10 x 6 mm
Installation	for flush mounting
Size	30x10x6

Range/Distance

Assured operating distance Sa	2.4 mm
Hysteresis H max. (% of Sr)	15.0 %
Rated operating distance Sn	3 mm
Real switching distance sr	3 mm
Repeat accuracy max. (% of Sr)	5.0 %
Temperature drift max. (% of Sr)	10 %
Tolerance Sr	±10 %

Remarks

The sensor is functional again after the overload has been eliminated.
For more information about MTTF and B10d see MTTF / B10d Certificate

Indication of the MTTF- / B10d value does not represent a binding composition and/or life expectancy assurance; these are simply experiential values with no warranty implications. These declared values also do not extend the expiration period for defect claims or affect it in any way.

Connector Drawings



Wiring Diagrams

