

Product Description

- ◆ Zero-crossing or Random-on Switching
- ◆ TRIAC Output
- ◆ DC Input
- ◆ Dielectric Strength: 4000Vrms
- ◆ Load Current: 10A, 16A, 25A
- ◆ Internal RC/MOV Protection Circuit
- ◆ LED Indicator
- ◆ RoHS Compliant



Ordering Information

KSIM	240	D	25	R	-L	M	(XXX)
KSIM Series	Load Voltage 240: 24-280VAC 380: 24-440VAC	Control Mode D: DC Control	Load Current 10: 10Amp 16: 16Amp 25: 25Amp	Switching Mode Blank: Zero Crossing R: Random-on	LED Indicator	M: MOV Protection (Optional)	Customized Code 045: Quick Connection 117: Quick Connection

General Specifications

Input Specifications (Ta=25°C)	
Control Voltage Range	4-32VDC
Must Turn-On Voltage	4VDC
Must Turn-Off Voltage	1VDC
Maximum Input Current	25mA

Output Specifications (Ta=25°C)		
Load Voltage Range	240VAC	24-280VAC
	380VAC	24-440VAC
Maximum 1 Cycle Surge Current (50Hz)	10A	120A
	16A	160A
	25A	250A
Maximum Turn-On Time	Random-on	1ms
	Zero Crossing	10ms
Maximum Turn-Off Time	10ms	

Output Specifications (Ta=25°C)		
Transient Overvoltage	240VAC	600Vpk
	380VAC	800Vpk
Maximum Off-State Leakage Current@Rated Load Voltage	5mA	
Maximum On-State Voltage Drop@Rated Current	1.5Vrms	
Minimum Off-State dv/dt@Maximum Rated Voltage	200V/μs	

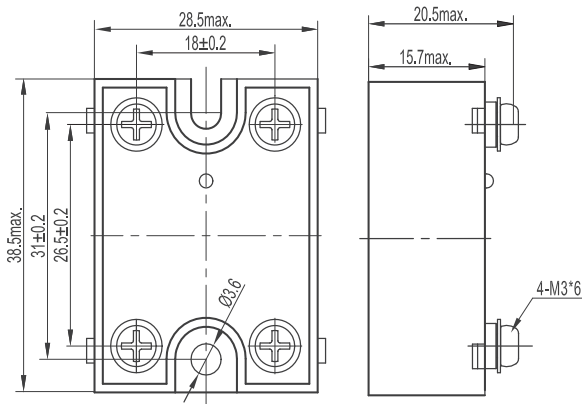
General Specifications

General Specifications (Ta=25°C)		
Dielectric Strength (50/60Hz)	Input/Output	4000Vrms
	Input, output/Base	2500Vrms
Minimum Insulation Resistance (@500VDC)	1000MΩ	
Power Factor	>0.5	
Ambient Temperature Range	-30°C ~ +80°C	
Storage Temperature Range	-30°C ~ +100°C	
Weight (Typical)	35g	

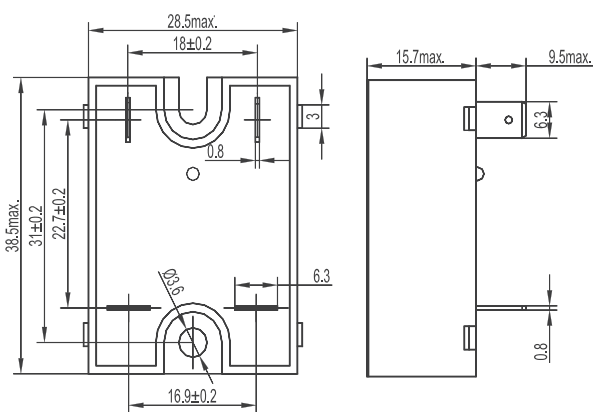
Applications

Temperature Chamber, Food Machinery, Industrial Machinery, and etc.

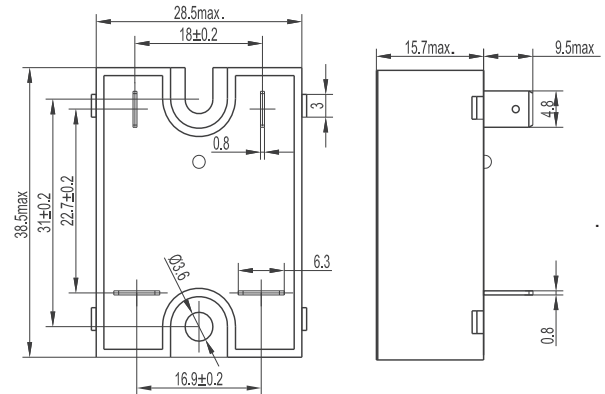
Outline Dimensions



Typical

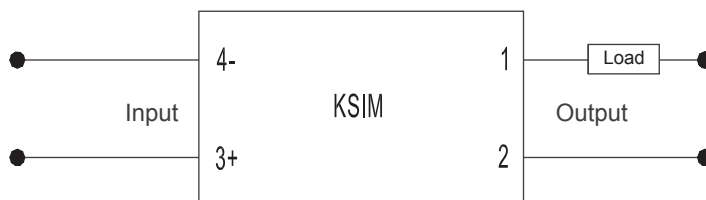


Customized Code 045

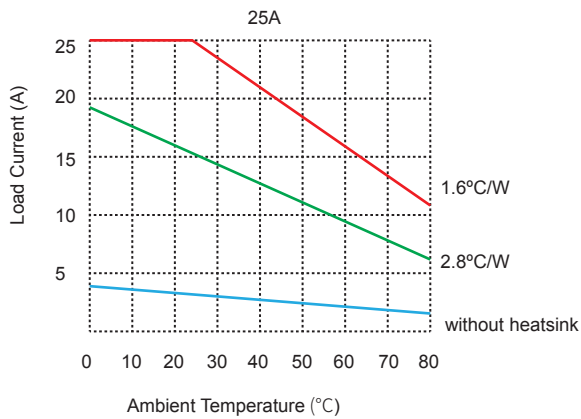
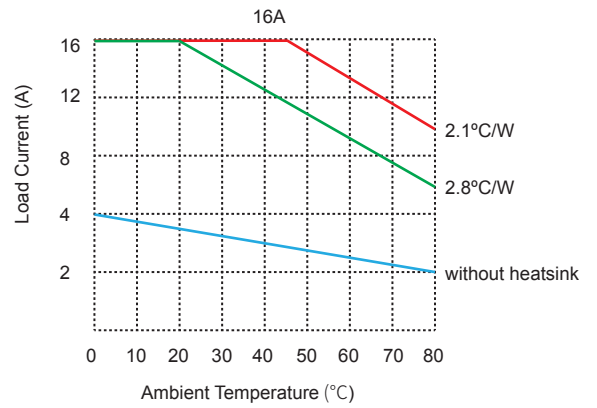
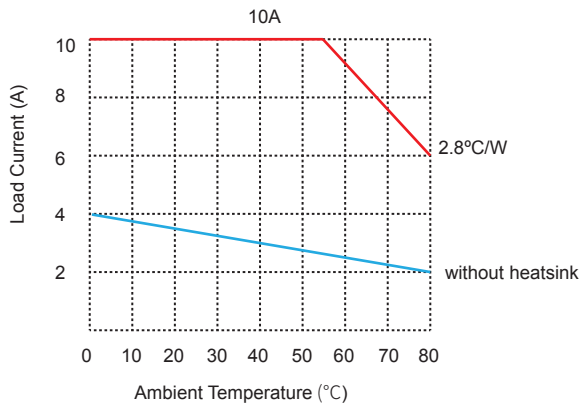


Customized Code 117

Wiring Diagram



Thermal Derating Curve



General Notes

1. Relay must be mounted to proper sized heat sink based on thermal curves. Thermal grease or a thermal pad must be used between relay and heat sink and be torqued down to 18-20/2.0-2.2 in-lb/N·m.
2. When connection wiring to SSR please ensure screws are torqued down properly (input 13-15/1.5-1.7in/lb/N·m, output 18-20/2.0-2.2 in-lb/N·m).
3. When ambient temperature is above 25°C see thermal derating curve.

Agency Approvals (Certification)

