

## Bussmann series

### MJ30 and 82AL Arc Limiter J 'Type' feeder pillar fuse links



#### Product description

Eaton's Bussmann® series MJ30 'J' Type feeder pillar fuse links are designed to be used with wedge type fuse carriers on BS applications. These fuse links will be used by Electrical Authorities in distribution pillars, open type substation boards, heavy duty cut-outs and underground connection boxes. They can also be fitted in pole or wall mounted outdoor service fuse links.

#### Features MJ30

- BS88-2
- gU Characteristics
- Ideal for Utility applications
- Excellent cable protection

#### Also available Eaton's Bussmann series arc limiter fuse links

- Same dimensions as MJ30
- Ultra high speed operation
- aR Characteristics
- Maximum arc flash reduction
- Used in place of MJ fuse for safe working on live systems
- Not suitable for low overload fault protection

**Catalogue symbol for MJ30**

- 20 to 63 A: (amp)MJ30-8
- 80 to 315 A: (amp)MJ30-7

**Technical data for MJ30**

- Rated voltage: 415 V a.c.
- Rated current: 32 to 315 A
- Breaking capacity: 80 kA a.c.
- Breaking range and utilisation category: gU

**Standards/Approvals for MJ30**

- ASTA certified
- Tested to BS88 part 2 fuse system I (previously known as BS88-5)

**Packaging for MJ30**

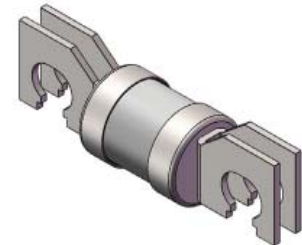
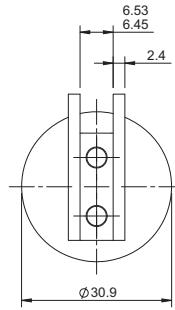
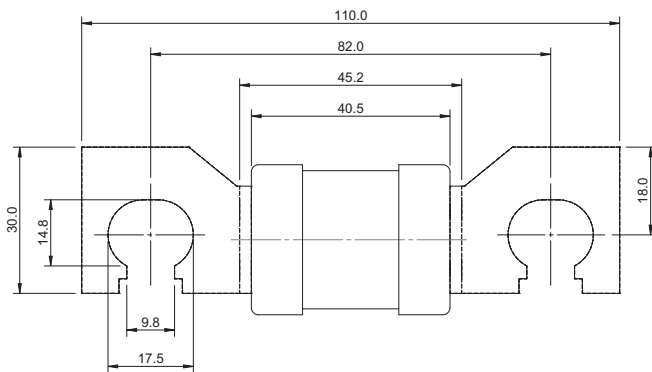
- MOQ: 10

**Table 1. Technical Data for MJ30**

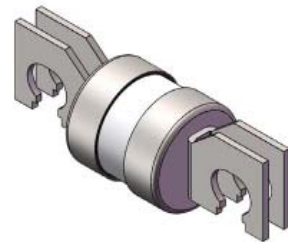
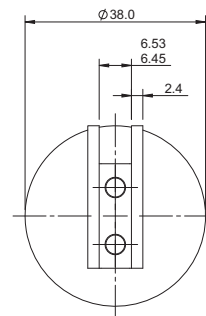
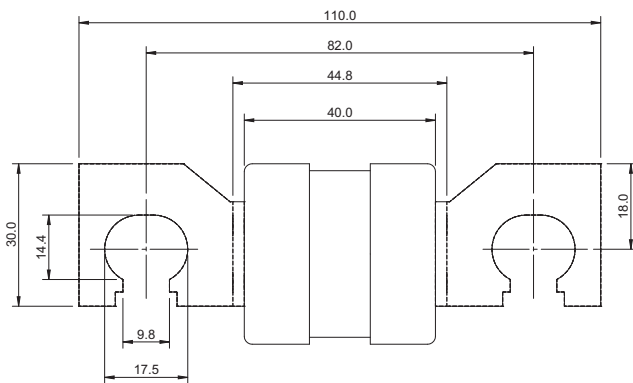
Part number	Rated voltage	Rated current (Amps)	Energy integrals I <sup>2</sup> t (A <sup>2</sup> S)			Watts loss	Product Class	Compatible Fuse holder	Fixing centre
			Pre-arcing	Total at 240 V	Total at 415 V	W			
20MJ30-8	415 V a.c.	20	120	230	360	2.9	gU	JW3	82 mm
25MJ30-8	415 V a.c.	25	330	630	1000	3	gU	JW3	82 mm
32MJ30-8	415 V a.c.	32	650	1250	2000	3.6	gU	JW3	82 mm
40MJ30-8	415 V a.c.	40	1300	2530	4000	3.7	gU	JW3	82 mm
50MJ30-8	415 V a.c.	50	3000	5700	9000	4.4	gU	JW3	82 mm
63MJ30-8	415 V a.c.	63	5300	10,000	16,000	5.2	gU	JW3	82 mm
80MJ30-7	415 V a.c.	80	8000	13,500	19,000	7.1	gU	JW3	82 mm
100MJ30-7	415 V a.c.	100	14,000	24,500	35,000	8.7	gU	JW3	82 mm
125MJ30-7	415 V a.c.	125	29,000	50,000	71,000	9.8	gU	JW3	82 mm
160MJ30-7	415 V a.c.	160	57,000	97,000	135,000	11.5	gU	JW3	82 mm
200MJ30-7	415 V a.c.	200	120,000	205,000	290,000	13	gU	JW3	82 mm
250MJ30-7	415 V a.c.	250	200,000	340,000	480,000	16	gU	JW3	82 mm
315MJ30-7	415 V a.c.	315	265,000	450,000	635,000	26	gU	JW3	82 mm

Busmann series

Dimensions for MJ30 - mm

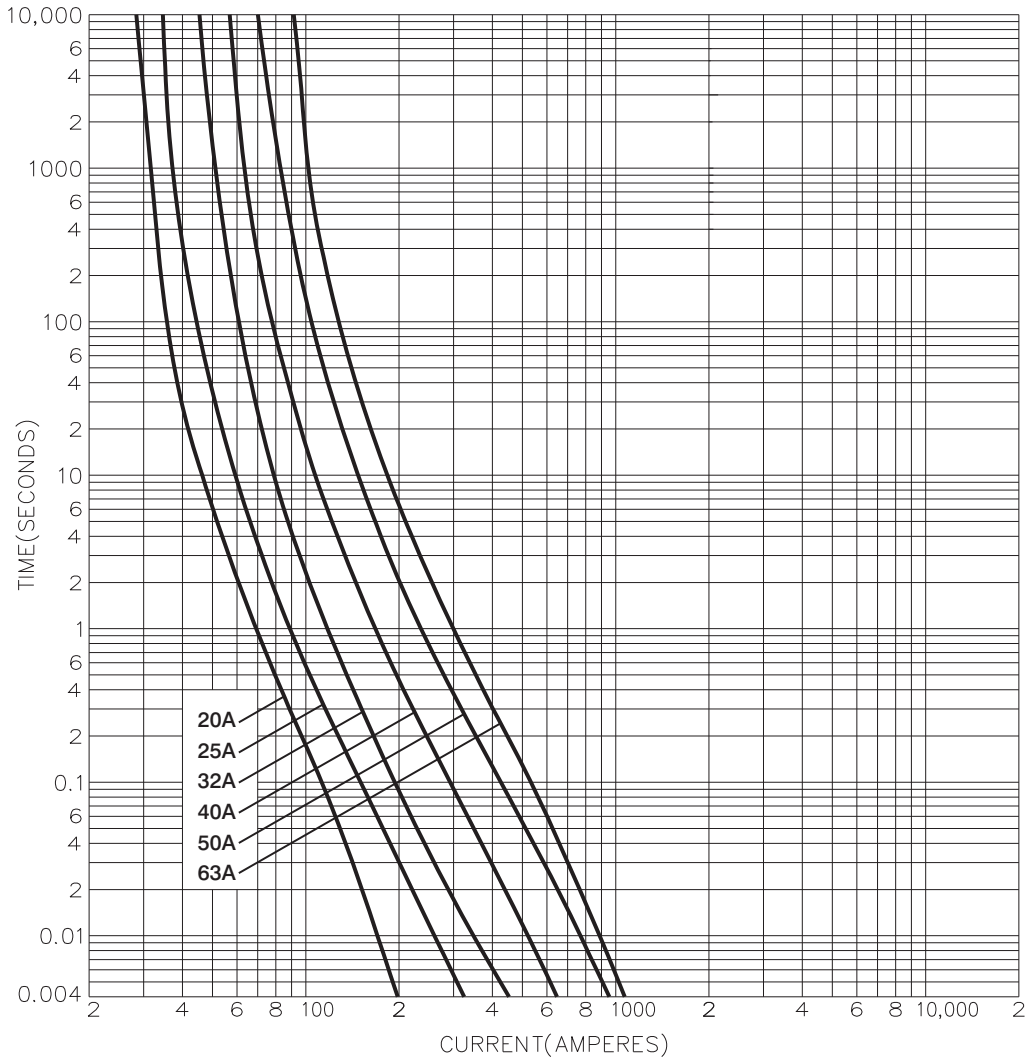


20 to 200 A

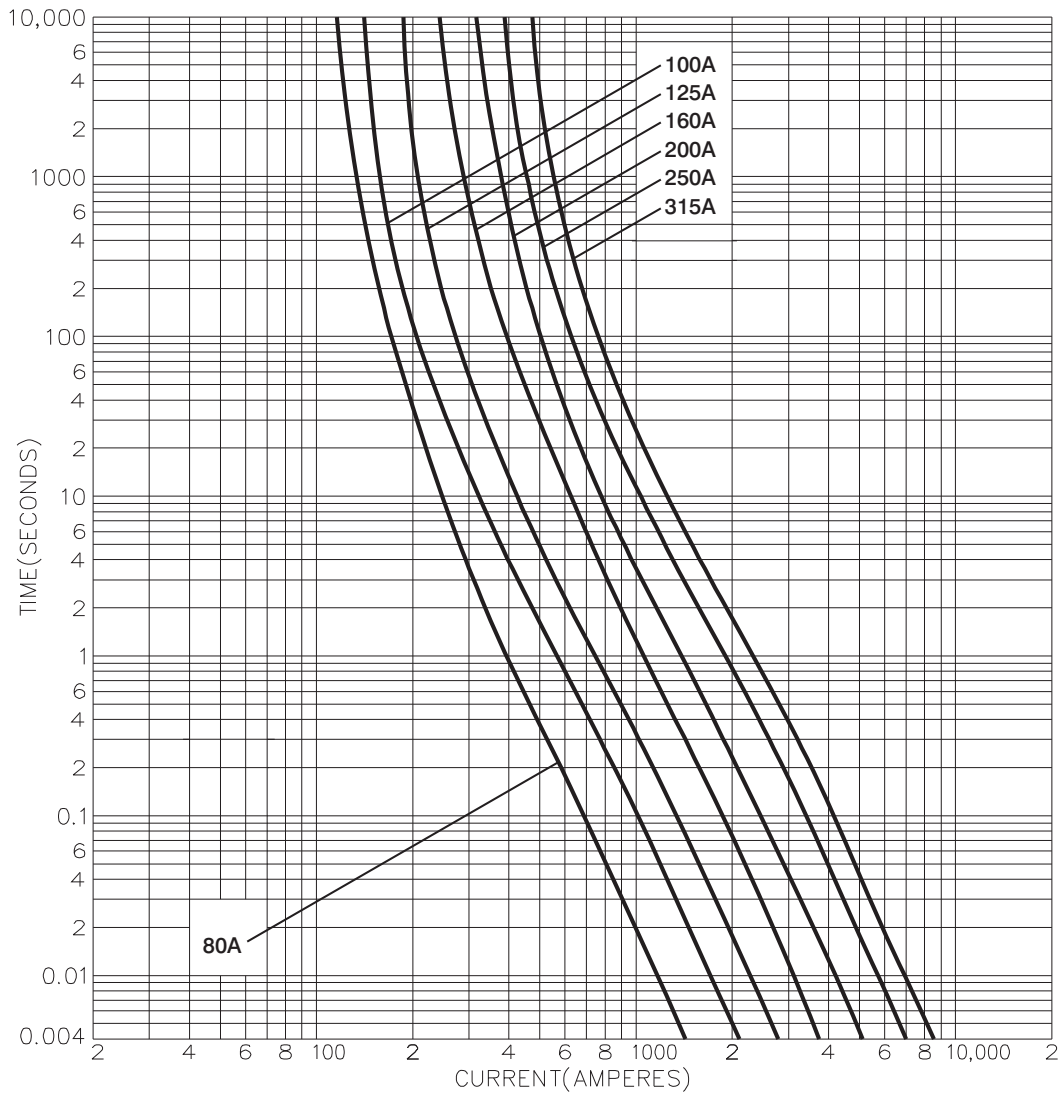


250 and 315 A

**Time current curve for MJ30-8 20 to 63 A**



Time current curve for MJ30-7 80 to 315 A



Busmann series

**Catalogue symbol for Arc limiter:**

- 82AL200
- 82AL315

**Technical data for Arc limiter:**

- Rated voltage: 415 V a.c.
- Rated current: 200 and 315 A
- Breaking capacity: 80 kA a.c.
- Breaking range and utilisation category: aR

**Standards/Approvals for Arc limiter:**

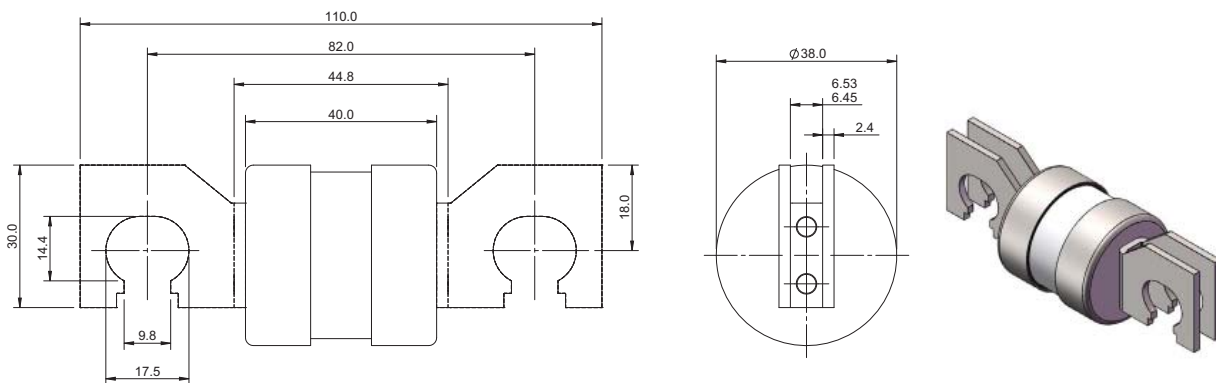
- Dimensions in accordance with BS88-2 fuse system I
- Performance in accordance with BS88-4

**Packaging for Arc limiter:**

- MOQ: 5

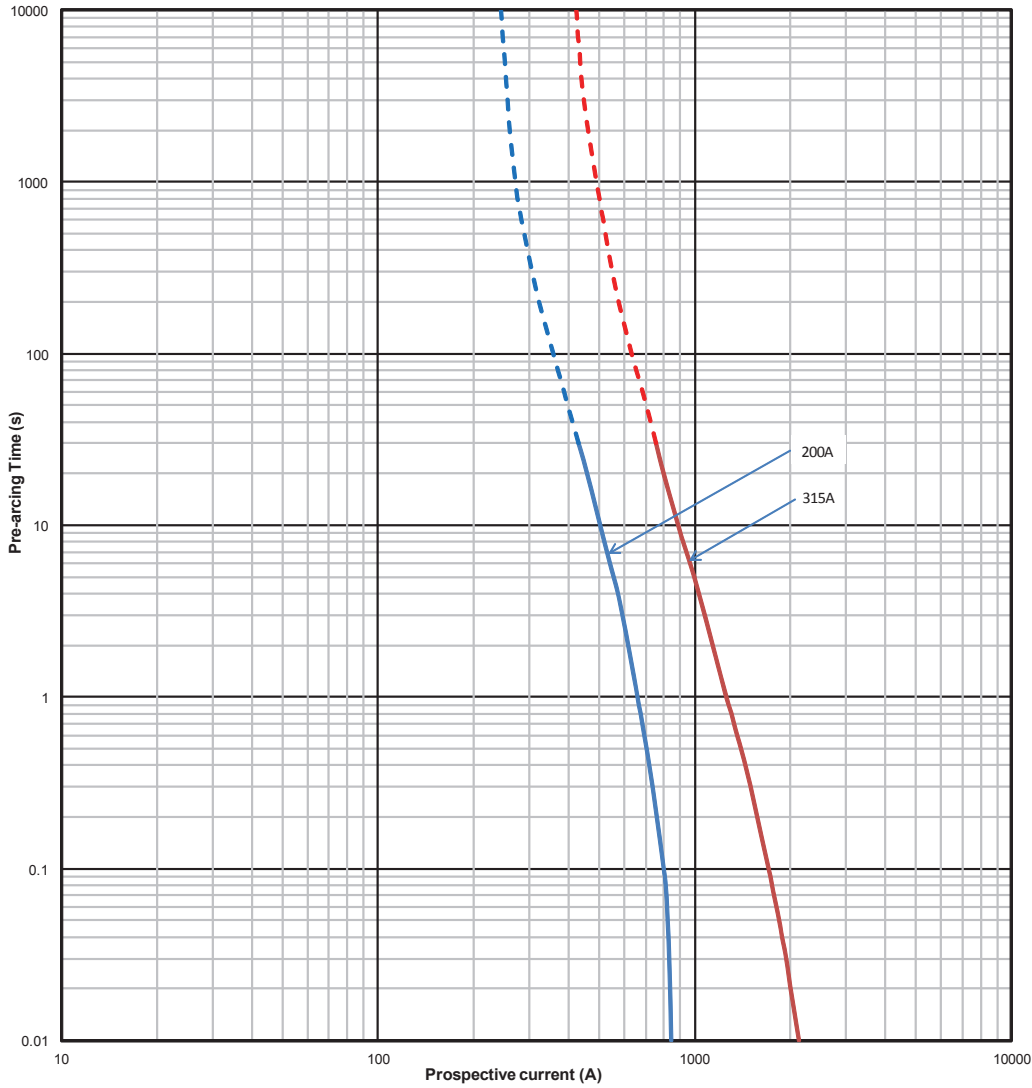
**Table 2. Technical Data for Arc limiter**

Part number	Rated voltage	Rated current (Amps)	Energy integrals I <sup>2</sup> t (A <sup>2</sup> S)			Watts loss W	Product Class
			Pre-arcing	Total at 240 V	Total at 415 V		
82AL200	415 V a.c.	200	9800	29,000	63,000	48	aR
82AL315	415 V a.c.	315	14,100	41,500	91,000	54	aR



**250 and 315 A**

Time current curve for 82AL - Arc Limiter



Changes to the products, to the information contained in this document, and to prices are reserved; so are errors and omissions. Only order confirmations and technical documentation by Eaton is binding. Photos and pictures also do not warrant a specific layout or functionality. Their use in whatever form is subject to prior approval by Eaton. The same applies to Trademarks (especially Eaton, Moeller, and Cutler-Hammer). The Terms and Conditions of Eaton apply, as referenced on Eaton Internet pages and Eaton order confirmations.

**Eaton**  
 EMEA Headquarters  
 Route de la Longeraie 7  
 1110 Morges, Switzerland

Eaton Electrical Products Limited  
 Melton Road  
 Burton-on-the-Wolds  
 Leicestershire, LE12 5TH  
 United Kingdom

© 2017 Eaton  
 All Rights Reserved  
 PDF Only  
 Publication No. 4178A  
 November 2017