

Rotary Cam Switches



Base mounting Four hole mounting 68 × 68 mm

Base mounting switches with four hole mounting 68 × 68 mm

- 80 A / 100 A / 160 A
- 1 up to 24 contacts
- IP55 (front)
- Four hole front mounting 68 × 68 mm

- ON-OFF Switch
- Changeover Switch
- Multi-step Switch
- Motor Switch



Setup of order code number: Type - Switching programme - Mounting form	Type	Switching programme	Mtg. form
Ordering example: 3 pole Changeover Switch with centre OFF 60°, 80 A, M-handle silver/black →	S606	61027	002M1
	Order code no.	S606-61027-002M1	

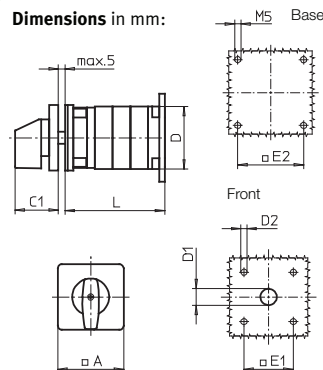
Type	Rated data (IEC 60947)			Terminal accessibility
	Operational current I_e AC-21A (A)	Operational power (at 380–440 V) AC-23A (kW)	AC-3A (kW)	
S606	80	45	30	Terminals accessible laterally
S608	100	55	37	
S612	160	75	45	

Switching programme	Stages	Contacts	Description
61191	1	1	ON-OFF Switch 90°, 1 pole
61192	1	2	ON-OFF Switch 90°, 2 pole
61001	1	1	ON-OFF Switch 60°, 1 pole
61002	1	2	ON-OFF Switch 60°, 2 pole
61003	2	3	ON-OFF Switch 60°, 3 pole
61025	1	2	Changeover Switch with centre OFF 60°, 1 pole
61026	2	4	Changeover Switch with centre OFF 60°, 2 pole
61027	3	6	Changeover Switch with centre OFF 60°, 3 pole
61037	1	2	Changeover Switch without OFF 60°, 1 pole
61038	2	4	Changeover Switch without OFF 60°, 2 pole
61050	2	4	Multi-step Switch without OFF, 4 steps, 1 pole
61211	3	5	Motor Reversing Switch, 3 pole

Switching diagrams and further switching programmes from page 56.

Mounting form	Operator	Mounting form	Operator
002M1	M-handle silver/black	002G1	G-handle silver/black

Dimensions in mm:



Type	Mtg. form	A	C1	D	D1	D2	E1	E2	L with ... stages (max. 12)				each additional
									1	2	3	4	
S606	002M1	88	52	84	15	5.5	68	68	64	86	108	130	22
	002G1	88	66	84	15	5.5	68	68	64	86	108	130	22
S608	002M1	88	52	88	15	5.5	68	68	71	97	123	149	26
	002G1	88	66	88	15	5.5	68	68	71	97	123	149	26
S612	002M1	88	52	88	15	5.5	68	68	77	109	141	173	32
	002G1	88	66	88	15	5.5	68	68	77	109	141	173	32