

Illuminated dual pushbutton, 22mm, round, plastic, green: I, red: O, pushbuttons, flat, with holder for 3 elements, with holder !!! Phased-out product !!! SIRIUS ACT 3SU1 is successor Preferred successor type is >>3SU1001-3AB42-0AK0 + 3SU1500-0AA10-0AA0<<

Design of the product	Single device round
-----------------------	---------------------

Enclosure

Number of command points	2
--------------------------	---

Actuator

Design of the operating mechanism	Twin pushbutton with indicator light
Manner of function of the actuating element	momentary contact type
Product extension optional Light source	Yes
Color	
• of the actuating element	Green / red
Material of the actuating element	plastic
Shape of the actuating element	Flat twin pushbutton rectangular
Type of unlocking device	without
Number of switching positions	2

Front ring

Product component front ring	Yes
Design of the front ring	Standard
Material of the front ring	plastic
Color of the front ring	black

Holder

Material of the holder	Plastic
------------------------	---------

General technical data

Product function	
• EMERGENCY OFF function	No
• EMERGENCY STOP function	No
Protection class IP	IP65
Vibration resistance	
• acc. to IEC 60068-2-6	20 ... 200 Hz: 5g
Operating frequency maximum	1 000 1/h
Mechanical service life (switching cycles)	
• typical	1 000 000
Reference code acc. to DIN 40719 extended according to IEC 204-2 acc. to IEC 750	S
Reference code acc. to DIN EN 81346-2	S

Reference code acc. to DIN EN 61346-2	S
---------------------------------------	---

Connections/ Terminals

Tightening torque of the screws in the bracket	1 ... 1.2 N·m
--	---------------

Ambient conditions

Ambient temperature	
• during operation	-25 ... +70 °C
• during storage	-40 ... +80 °C
Environmental category during operation acc. to IEC 60721	3K6

Installation/ mounting/ dimensions

Mounting type	front mounting
Shape of the installation opening	round
Mounting diameter	22 mm
Mounting height	10 mm
Installation width	55 mm
Installation depth	29 mm

Certificates/ approvals

General Product Approval	Declaration of Conformity
---------------------------------	----------------------------------



CCC



CSA



UL



EG-Konf.

[Miscellaneous](#)

Marine / Shipping	other
--------------------------	--------------



ABS



LRS



PRS



RINA

[Environmental Con-
firmations](#)

[Miscellaneous](#)

other	Railway
--------------	----------------

[Confirmation](#)

[Special Test Certi-
ficate](#)

Further information

Information- and Downloadcenter (Catalogs, Brochures,...)

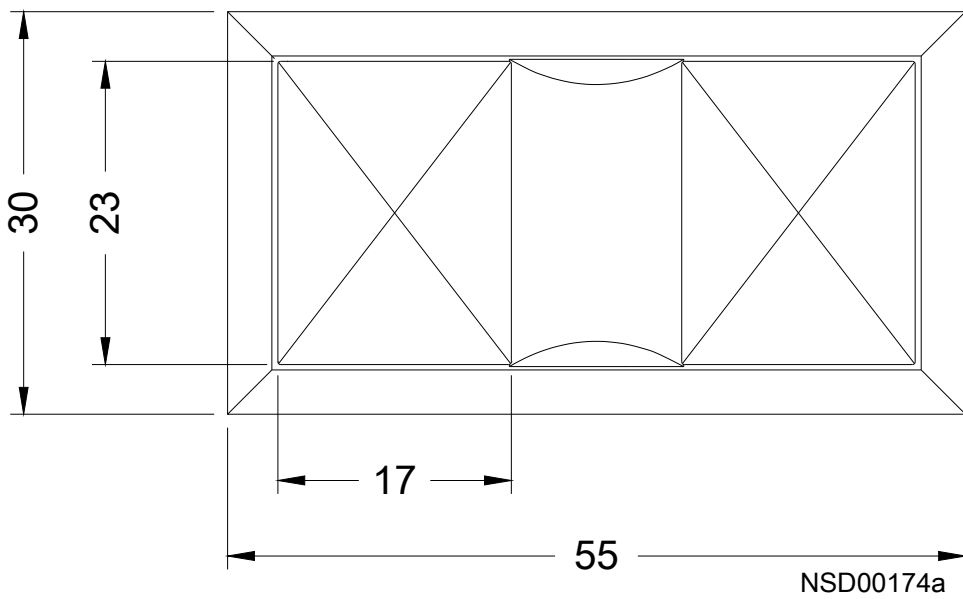
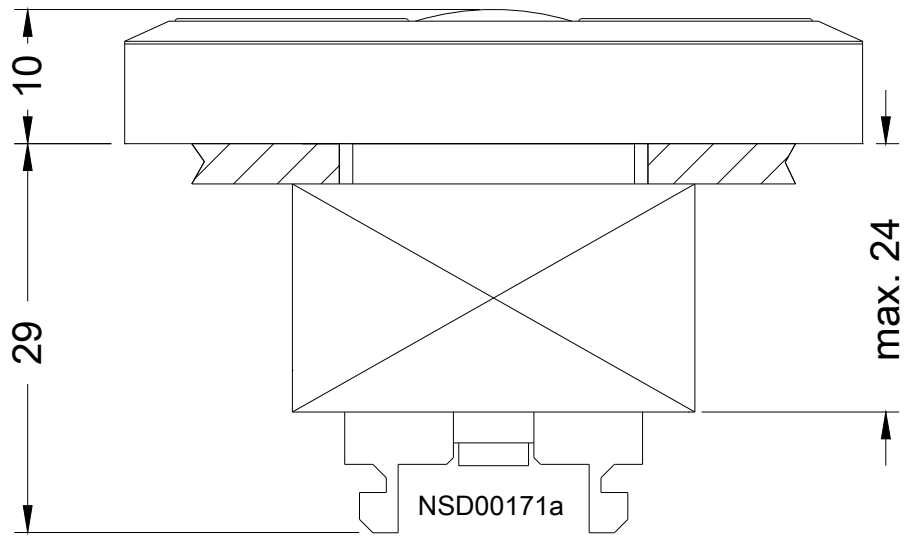
www.siemens.com/sirius/catalogs

Industry Mall (Online ordering system)

<https://mall.industry.siemens.com/mall/en/en/Catalog/product?mlfb=3SB3101-8BC21>

Cax online generator

<http://support.automation.siemens.com/WW/CAXorder/default.aspx?lang=en&mlfb=3SB3101-8BC21>



last modified:

10/02/2019