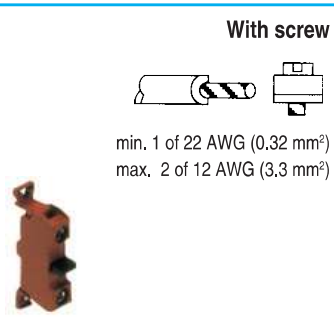


Contact blocks



		Contact type	Cat. no.	Ref. no.
		NC	P9B01BN	187017
		NCO	P9B10BN	187018

Power supplies



Position on flange 2 3 1	Bulb power supply	Cat. no.	Ref. no.
	Full voltage ≐ IEC: BA9S max 380V-2W not included UL-CSA: BA9S max 250V-2W not included	P9PDNV0	187020
	Long life 110/120V ≐ BA9S 130V-2W included	P9PRLBJ	187071
	Resistor + Diode 220/240 V ~ BA9S 130V-2W included	P9PRDBN	187072
	Additional resistor 110/120V ≐ for BA9S 60V-1,2W 220/240V ≐ for BA9S 130V-2W	P9PRNBJ P9PRNBN	187073 187074



	Standard light	Cat. no.	Ref. no.
			24V AC/DC P9PLNBD• 120V AC P9PLNBJ• 230V AC P9PLNBN•

The catalogue numbers in **bold** are available from stock.

LED colour•	orange	white	yellow	blue	red	green
	A	B	G	L	R	V

