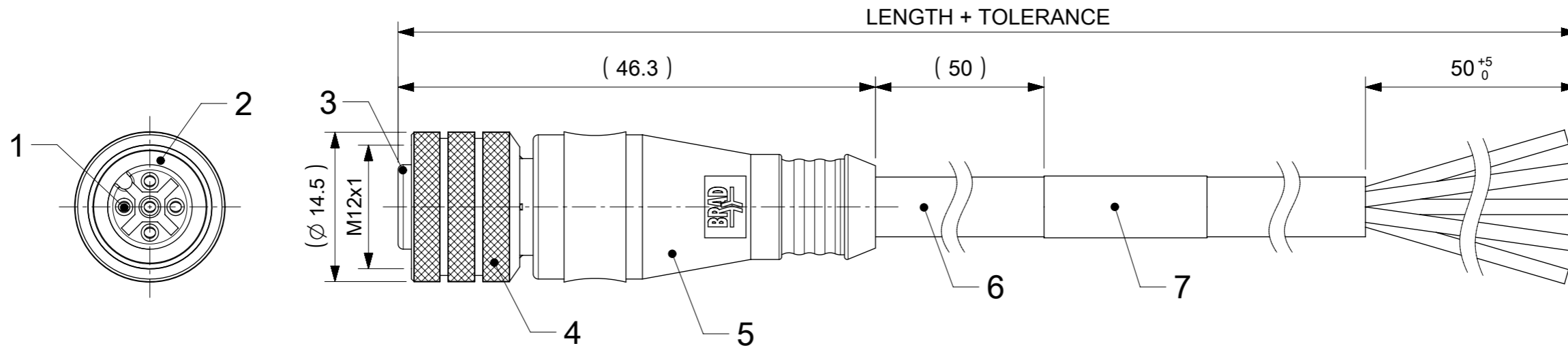
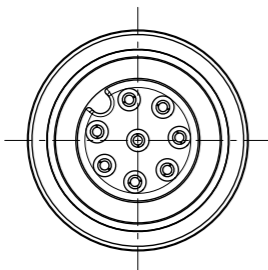


FEMALE PLUG M12 STRAIGHT

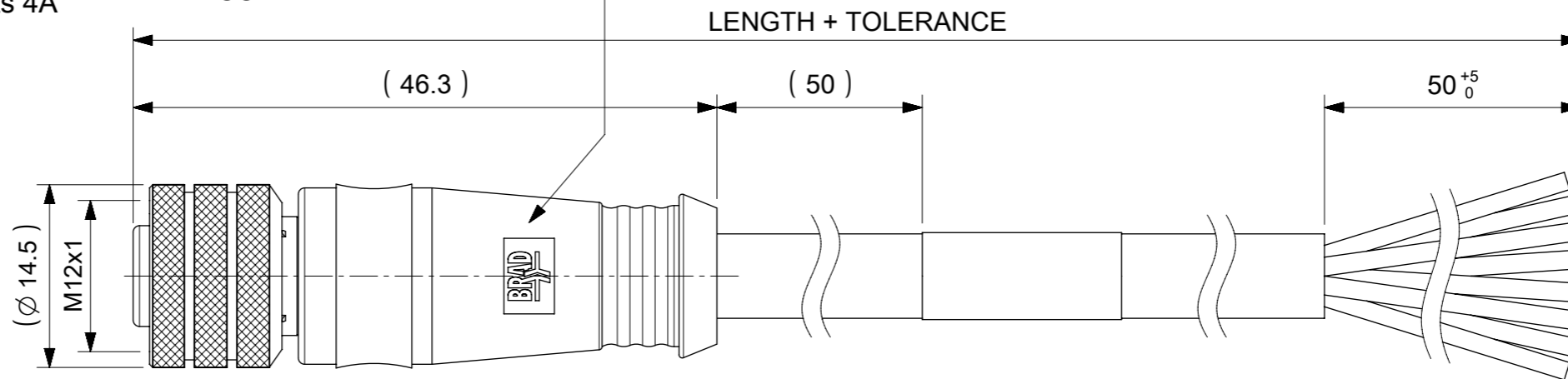


NOTES:

RATED VOLTAGE: 3, 4 contacts 250V
 5 contacts 60V
 8 contacts 30V
 RATED CURRENT: 3, 4, 5 contacts 4A
 8 contacts 2A
 PROTECTION CLASS: IP 67
 TEMPERATURE: -25°C / +85°C



Thicker Overmold for Cables with bigger Outer Diameter



CONTACTS POSITION FRONT VIEW:

| 3 CONTACTS | | 4 CONTACTS | | 5 CONTACTS | | 8 CONTACTS | |
|------------------------------------|-------|------------|-------|------------|-------|------------|--------|
| | | | | | | | |
| PIN | WIRE | PIN | WIRE | PIN | WIRE | PIN | WIRE |
| 1 | BROWN | 1 | BROWN | 1 | BROWN | 1 | WHITE |
| 2 | --- | 2 | WHITE | 2 | WHITE | 2 | BROWN |
| 3 | BLUE | 3 | BLUE | 3 | BLUE | 3 | GREEN |
| 4 | BLACK | 4 | BLACK | 4 | BLACK | 4 | YELLOW |
| 5 | --- | 5 | --- | 5 | GREY | 5 | GREY |
| | | | | | | 6 | PINK |
| | | | | | | 7 | BLUE |
| | | | | | | 8 | RED |
| CODING REQUIRED TO IEC 61076-2-101 | | | | | | | |

FOR OPTIONS SEE - NUMERICAL CODE - ON SHEET 2

| ITEM | QTY. | DESCRIPTION | MATERIAL | FINISH |
|------|---------------|---------------------|-------------|----------------------|
| 7 | 1 | LABEL YELLOW | VINYL | --- |
| 6 | - | CABLE | SEE SHEET 2 | --- |
| 5 | - | OVERMOLDING BLACK | TPU | --- |
| 4 | 1 | COUPLING NUT FEMALE | BRASS | NICKEL |
| 3 | 1 | INSERT FEMALE BLACK | PUR | --- |
| 2 | 1 | ORING RED | FPM | --- |
| 1 | 3 / 4 / 5 / 8 | CONTACT M12 FEMALE | BRASS | SELECTIVE Au OVER Ni |

THIS DRAWING CONTAINS INFORMATION THAT IS PROPRIETARY TO MOLEX ELECTRONIC TECHNOLOGIES, LLC AND SHOULD NOT BE USED WITHOUT WRITTEN PERMISSION

| | | | | | |
|-----------------|---|--|--|--|---|
| QUALITY SYMBOLS | EC NO: 606584 DRWN: AKONDRACIUK CHK'D: DSTACHOWIAK APPR: DSTACHOWIAK | 2018/10/25 2018/10/25 2018/10/25 | GENERAL TOLERANCES (UNLESS SPECIFIED) ANGULAR TOL ± 1.0 ° 4 PLACES ± 3 PLACES ± 2 PLACES ± 0.05 1 PLACE ± 0.3 0 PLACES ± 0.5 | DIMENSION UNITS: mm SCALE: 2:1 DRWN BY: JMARSZALEK DATE: 2016/01/11 CHK'D BY: DATE: APPR BY: RSILLER DATE: 2016/04/08 | CSE M12 XP AC FE STR XM SE UNSH PRODUCT CUSTOMER DRAWING |
| | | | DRAFT WHERE APPLICABLE MUST REMAIN WITHIN DIMENSIONS | DRAWING SIZE: A3 THIRD ANGLE PROJECTION | SERIES: 120065 MATERIAL NUMBER: SEE SHEET 3-4 CUSTOMER: GENERAL MARKET |
| | | | | | DOCUMENT NUMBER: 1200651978 DOC TYPE: PSD DOC PART: 000 SHEET NUMBER: 1 OF 4 |

ENGINEERING NO. - NUMERICAL CODE (Available parts see PART LIST table. Others on request).

8 0 X 0 0 0 X X X X X X X X X

80=M12x1
Single ended

Contacts:
3=3 Contacts
4=4 Contacts
5=5 Contacts
8=8 Contacts

Heads style:
000=Plug Female Straight

Cable type: See Table

Units:
M=Meter

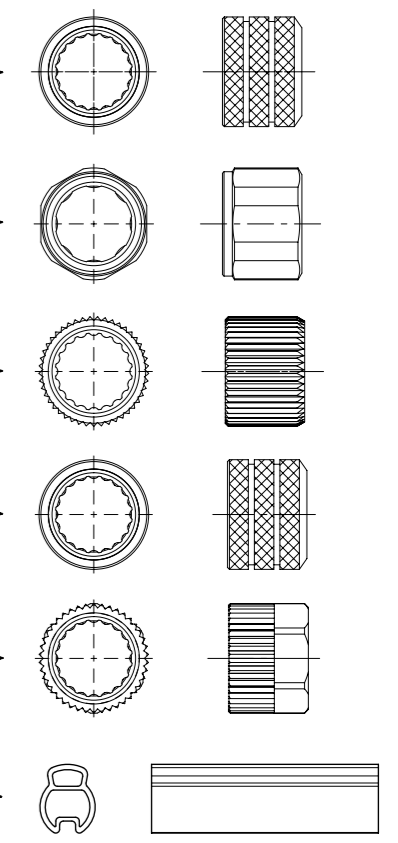
Length
Examples:
005=0.5 unit
010=1 unit
100=10 units

Overmold color:
Blank (Standard)=Black
A=Grey / G=Black / Y=Yellow

Coupling Nut:
Blank (Standard) & 3=Knurled Brass Ni Plated
1=Hexagonal Stainless steel
5=Knurled Derlin
7=Knurled Brass Ni Plated, Teflon Coated
9=Knurled / Hexagonal Brass Ni Plated

H= 2 pcs. of I/D Carrier PVC Transparent

COUPLING NUTS

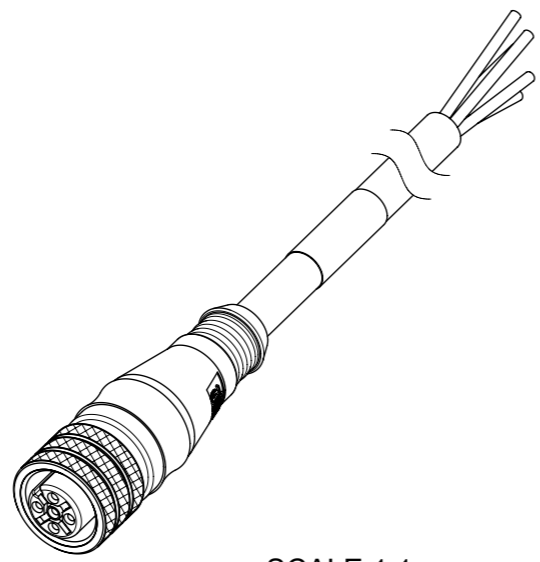


CABLE INFORMATION (for more information see Cable Data Sheet).

| CABLE TYPE | NO. OF WIRES | CROSS SECTION | CABLE JACKET | UL | CSA | STATIC: TEMP. / BENDING RADIUS | DYNAMIC: TEMP. / BENDING RADIUS | DRAG CHAIN | SHIELD |
|------------|---------------|---------------------|-----------------|----------------|--------------------------|--------------------------------|---------------------------------|---|--------|
| E02 | 3 / 4 / 5 / 8 | 0.25mm ² | PVC BLACK | UL 2464/1729 | C22.2 I/II A/B 80°C/300V | -30°C to +80°C, 10xO.D. | -10°C to +80°C, 15xO.D. | - | - |
| E03 | 3 / 4 / 5 | 0.34mm ² | PVC BLACK | UL 2464/1729 | C22.2 I/II A/B 80°C/300V | -30°C to +80°C, 10xO.D. | -10°C to +80°C, 15xO.D. | - | - |
| H08 | 3 / 4 / 5 / 8 | 0.25mm ² | PUR BLACK LS0H | UL 21198/10493 | C22.2 I/II A/B 80°C/300V | -40°C to +80°C, 5xO.D. | -25°C to +80°C, 10xO.D. | 2 000 000 cycles at 20°C, Temp. range +5°C to +60°C | - |
| H09 | 3 / 4 / 5 | 0.34mm ² | PUR BLACK LS0H | UL 21198/10493 | C22.2 I/II A/B 80°C/300V | -40°C to +80°C, 5xO.D. | -25°C to +80°C, 10xO.D. | 2 000 000 cycles at 20°C, Temp. range +5°C to +60°C | - |
| P02 | 3 / 4 / 5 / 8 | 0.25mm ² | PUR / PVC BLACK | - | - | -30°C to +80°C, 7xO.D. | -5°C to +80°C, 15xO.D. | - | - |
| P03 | 3 / 4 / 5 | 0.34mm ² | PUR / PVC BLACK | - | - | -30°C to +80°C, 7xO.D. | -5°C to +80°C, 15xO.D. | - | - |

CABLE LENGTH TOLERANCES

| OVER | UP TO AND INCLUDING | TOLERANCES |
|---------|---------------------|------------------------|
| 0 | 305mm | +19mm |
| 305mm | 915mm | +45mm |
| 915mm | 1830mm | +56mm |
| 1830mm | 3660mm | +89mm |
| 3660mm | 7320mm | +165mm |
| 7320mm | 14640mm | +317mm |
| 14640mm | 30500mm | +610mm |
| 30500mm | > | +2% of finished length |



SCALE 1:1

THIS DRAWING CONTAINS INFORMATION THAT IS PROPRIETARY TO MOLEX ELECTRONIC TECHNOLOGIES, LLC AND SHOULD NOT BE USED WITHOUT WRITTEN PERMISSION


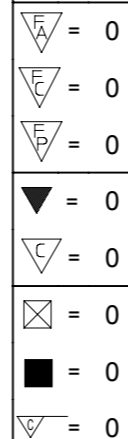
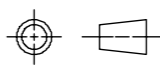
| | | | | | | | | | |
|--|---|--|--|-----------------|------------------------|-----------------|---------------------------------|----------------|--------------|
| QUALITY SYMBOLS FA = 0 FE = 0 FB = 0 ▼ = 0 C = 0 ⊗ = 0 ■ = 0 ∇ = 0 | EC NO: 606584 DRWN: AKONDRACIUK CHK'D: DSTACHOWIAK APPR: DSTACHOWIAK 2018/10/25 2018/10/25 2018/10/25 | GENERAL TOLERANCES (UNLESS SPECIFIED) ANGULAR TOL ± 1.0 ° | | DIMENSION UNITS | SCALE | | | | |
| | | 4 PLACES ± 3 PLACES ± 2 PLACES ± 0.05 1 PLACE ± 0.3 0 PLACES ± 0.5 | | mm | 1:1 | | | | |
| | | DRAFT WHERE APPLICABLE MUST REMAIN WITHIN DIMENSIONS | | DRWN BY | DATE | | CSE M12 XP AC FE STR XM SE UNSH | | |
| | | | | CHK'D BY | DATE | | PRODUCT CUSTOMER DRAWING | | |
| | | APPR BY: RSILLER 2016/04/08 | | DRAWING SIZE | THIRD ANGLE PROJECTION | SERIES | MATERIAL NUMBER | CUSTOMER | |
| | | | | A3 | | 120065 | SEE SHEET 3-4 | GENERAL MARKET | |
| | | | | | | DOCUMENT NUMBER | DOC TYPE | DOC PART | SHEET NUMBER |
| | | | | | | 1200651978 | PSD | 000 | 2 OF 4 |

PART LIST

| No. | Part No. | Engineering No. | Cable Length | No. | Part No. | Engineering No. | Cable Length | No. | Part No. | Engineering No. | Cable Length | No. | Part No. | Engineering No. | Cable Length |
|-----|------------|-----------------|--------------|-----|------------|-----------------|--------------|-----|------------|-----------------|--------------|-----|------------|-----------------|--------------|
| 1 | 1200060001 | 803000E03M020 | 2m | 36 | 1200060458 | 804000P03M0501 | 5m | 71 | 1200063673 | 803000P03M1001 | 10m | 106 | 1200658008 | 804000H09M050H | 5m |
| 2 | 1200060002 | 803000E03M050 | 5m | 37 | 1200060461 | 804000P03M200 | 20m | 72 | 1200063779 | 805000E03M300 | 30m | 107 | 1200658009 | 804000H09M100H | 10m |
| 3 | 1200060003 | 803000E03M100 | 10m | 38 | 1200060634 | 805000E03M020 | 2m | 73 | 1200063940 | 804000P03M0051 | 0.5m | 108 | 1200658020 | 805000P03M040 | 4m |
| 4 | 1200060004 | 803000P03M020 | 2m | 39 | 1200060638 | 805000E03M100 | 10m | 74 | 1200064033 | 804000P03M120 | 12m | 109 | 1200658021 | 808000P02M150 | 15m |
| 5 | 1200060005 | 803000P03M050 | 5m | 40 | 1200060646 | 805000P03M003 | 0.3m | 75 | 1200064093 | 803000P03M032 | 3.2m | 110 | 1200658022 | 808000P02M030 | 3m |
| 6 | 1200060006 | 803000P03M100 | 10m | 41 | 1200060647 | 805000P03M020 | 2m | 76 | 1200064292 | 805000P03M200 | 20m | 111 | 1200658064 | 804000P03M010 | 1m |
| 7 | 1200060014 | 804000E03M020 | 2m | 42 | 1200060649 | 805000P03M100 | 10m | 77 | 1200064313 | 805000P03M200G | 20m | 112 | 1200658081 | 805000E03M200 | 20m |
| 8 | 1200060015 | 804000E03M050 | 5m | 43 | 1200061337 | 804000E03M0205 | 2m | 78 | 1200064390 | 804000P03M1001 | 10m | 113 | 1200658165 | 805000E03M030 | 3m |
| 9 | 1200060016 | 804000E03M100 | 10m | 44 | 1200061431 | 805000P03M150 | 15m | 79 | 1200064422 | 804000E03M120 | 12m | 114 | 1200658172 | 805000H09M020 | 2m |
| 10 | 1200060018 | 804000P03M020 | 2m | 45 | 1200061528 | 804000E03M250 | 25m | 80 | 1200064434 | 804000H09M050G | 5m | 115 | 1200658173 | 805000H09M050 | 5m |
| 11 | 1200060019 | 804000P03M050 | 5m | 46 | 1200061765 | 803000P03M002 | 0.2m | 81 | 1200065004 | 805000P03M0201 | 2m | 116 | 1200658174 | 805000H09M100 | 10m |
| 12 | 1200060027 | 803000E03M006 | 0.6m | 47 | 1200061785 | 804000P03M006 | 0.6m | 82 | 1200065006 | 804000H09M250G | 25m | 117 | 1200658175 | 803000H09M020 | 2m |
| 13 | 1200060032 | 804000E03M005 | 0.5m | 48 | 1200061913 | 804000E03M300 | 30m | 83 | 1200065012 | 803000P03M030G | 3m | 118 | 1200658176 | 803000H09M050 | 5m |
| 14 | 1200060034 | 804000P03M025 | 2.5m | 49 | 1200061958 | 803000E03M021 | 2.1m | 84 | 1200650951 | 808000P02M020 | 2m | 119 | 1200658177 | 803000H09M100 | 10m |
| 15 | 1200060107 | 803000E03M003 | 0.3m | 50 | 1200062071 | 803000E03M060 | 6m | 85 | 1200650952 | 808000P02M040 | 4m | 120 | 1200658178 | 804000H09M020 | 2m |
| 16 | 1200060113 | 803000E03M030 | 3m | 51 | 1200062098 | 803000P03M006 | 0.6m | 86 | 1200650953 | 808000P02M050 | 5m | 121 | 1200658179 | 804000H09M050 | 5m |
| 17 | 1200060115 | 803000E03M0501 | * | 52 | 1200062130 | 804000E03M050H | 5m | 87 | 1200650954 | 808000P02M060 | 6m | 122 | 1200658190 | 804000H09M100 | 10m |
| 18 | 1200060116 | 803000E03M0505 | 5m | 53 | 1200062167 | 804000P03M100H | 10m | 88 | 1200650955 | 808000P02M080 | 8m | 123 | 1200658191 | 804000H09M150 | 15m |
| 19 | 1200060117 | 803000E03M1005 | 10m | 54 | 1200062264 | 804000E03M1505 | 15m | 89 | 1200650956 | 808000P02M0801 | 8m | 124 | 1200658197 | 805000P03M010 | 1m |
| 20 | 1200060119 | 803000E03M150 | 15m | 55 | 1200062347 | 804000P03M050H | 5m | 90 | 1200650957 | 808000P02M100 | 10m | 125 | 1200658208 | 805000E03M0061 | ** |
| 21 | 1200060121 | 803000E03M200 | 20m | 56 | 1200062521 | 805000P03M030 | 3m | 91 | 1200651769 | 803000P03M050G | 5m | 126 | 1200658210 | 805000E03M0501 | * |
| 22 | 1200060124 | 803000E03M2505 | 25m | 57 | 1200062772 | 803000P03M250 | 25m | 92 | 1200651780 | 804000P03M050G | 5m | 127 | 1200658219 | 803000E03M0201 | * |
| 23 | 1200060152 | 803000P03M010 | 1m | 58 | 1200062811 | 803000P03M100H | 10m | 93 | 1200651782 | 804000P03M100 | 10m | 128 | 1200658224 | 808000E02M050 | 5m |
| 24 | 1200060153 | 803000P03M030 | 3m | 59 | 1200062853 | 804000P03M150 | 15m | 94 | 1200651792 | 805000P03M050 | 5m | 129 | 1200658228 | 804000E03M3001 | * |
| 25 | 1200060157 | 803000P03M150 | 15m | 60 | 1200062866 | 804000E03M020H | 2m | 95 | 1200651794 | 808000P02M010 | 1m | 130 | 1200658244 | 808000H08M050 | 5m |
| 26 | 1200060158 | 803000P03M200 | 20m | 61 | 1200062992 | 804000E03M200H | 20m | 96 | 1200651795 | 808000P02M070 | 7m | 131 | 1200658264 | 808000H08M100 | 10m |
| 27 | 1200060426 | 804000E03M010 | 1m | 62 | 1200063121 | 804000P03M0053 | 0.5m | 97 | 1200651817 | 808000P02M200 | 20m | 132 | 1200658270 | 804000E03M1005 | 10m |
| 28 | 1200060427 | 804000E03M0201 | ** | 63 | 1200063224 | 804000E03M003 | 0.3m | 98 | 1200651818 | 808000P02M250 | 25m | 133 | 1200658277 | 808000E02M020 | 2m |
| 29 | 1200060428 | 804000E03M030 | 3m | 64 | 1200063227 | 804000P03M0063 | 0.6m | 99 | 1200651820 | 808000P02M300 | 30m | 134 | 1200658278 | 808000E02M100 | 10m |
| 30 | 1200060429 | 804000E03M0501 | * | 65 | 1200063314 | 805000E03M010 | 1m | 100 | 1200651978 | 805000E03M050 | 5m | 135 | 1200658288 | 804000E03M050G | 5m |
| 31 | 1200060430 | 804000E03M0505 | 5m | 66 | 1200063402 | 804000P03M003 | 0.3m | 101 | 1200652143 | 804000P03M040 | 4m | 136 | 1200658309 | 808000E02M0501 | 5m |
| 32 | 1200060431 | 804000E03M150 | 15m | 67 | 1200063407 | 804000E03M1001 | * | 102 | 1200652144 | 804000P03M060 | 6m | 137 | 1200658321 | 804000P03M005 | 0.5m |
| 33 | 1200060432 | 804000E03M200 | 20m | 68 | 1200063415 | 803000P03M0707 | 7m | 103 | 1200652154 | 805000P03M060 | 6m | 138 | 1200658331 | 805000E03M050H | 5m |
| 34 | 1200060456 | 804000P03M0201 | 2m | 69 | 1200063443 | 804000E03M030H | 3m | 104 | 1200655073 | 808000P02M003 | 0.3m | 139 | 1200658350 | 803000E03M1001 | * |
| 35 | 1200060457 | 804000P03M030 | 3m | 70 | 1200063647 | 804000E03M2001 | 20m | 105 | 1200655081 | 805000E03M150 | 15m | 140 | 1200658473 | 804000H09M030 | 3m |

NOTES:

- * - Part No. with Yellow PVC overmolding
- ** - Part No. with Black PVC overmolding

| | | | | | | | | | | | |
|---|--|------------|--|--|--|-----------------|--|---|--|---|--|
| THIS DRAWING CONTAINS INFORMATION THAT IS PROPRIETARY TO MOLEX ELECTRONIC TECHNOLOGIES, LLC AND SHOULD NOT BE USED WITHOUT WRITTEN PERMISSION | | | | | | | | | | | |
| QUALITY SYMBOLS | | 2018/10/25 | | GENERAL TOLERANCES (UNLESS SPECIFIED) | | DIMENSION UNITS | | SCALE | |  | |
|  | | 2018/10/25 | | ANGULAR TOL ± 1.0 ° | | mm | | 1:1 | | | |
| EC NO: 606584 | | 2018/10/25 | | 4 PLACES ± | | DRWN BY | | DATE | | CSE M12 XP AC FE STR XM SE UNSH | |
| DRWN: AKONDRACIUK | | 2018/10/25 | | 3 PLACES ± | | JMARSZALEK | | 2016/01/11 | | | |
| CHK'D: DSTACHOWIAK | | 2018/10/25 | | 2 PLACES ± 0.05 | | CHK'D BY | | DATE | | PRODUCT CUSTOMER DRAWING | |
| APPR: DSTACHOWIAK | | 2018/10/25 | | 1 PLACE ± 0.3 | | RSILLER | | 2016/04/08 | | | |
| REV | | A3 | | 0 PLACES ± 0.5 | | APPR BY | | DATE | | SERIES | |
| | | | | DRAFT WHERE APPLICABLE MUST REMAIN WITHIN DIMENSIONS | | DRAWING SIZE | | THIRD ANGLE PROJECTION | | MATERIAL NUMBER | |
| | | | | | | A3 | |  | | CUSTOMER | |
| | | | | | | | | | | GENERAL MARKET | |
| | | | | | | | | | | DOCUMENT NUMBER | |
| | | | | | | | | | | 120065 | |
| | | | | | | | | | | SEE PART LIST | |
| | | | | | | | | | | DOC TYPE | |
| | | | | | | | | | | PSD | |
| | | | | | | | | | | DOC PART | |
| | | | | | | | | | | 000 | |
| | | | | | | | | | | SHEET NUMBER | |
| | | | | | | | | | | 3 OF 4 | |

PART LIST

| No. | Part No. | Engineering No. | Cable Length |
|-----|------------|-----------------|--------------|
| 141 | 1200658475 | 804000E03M1501 | * 15m |
| 142 | 1200658492 | 804000P03M100G | 10m |
| 143 | 1200658502 | 805000E03M005 | 0.5m |
| 144 | 1200658503 | 805000E03M0201 | 2m |
| 145 | 1200658511 | 808000E02M010 | 1m |
| 146 | 1200658525 | 808000P02C350 | 0.35m |
| 147 | 1200658545 | 804000P03M015 | 1.5m |
| 148 | 1200658550 | 804000H09M015 | 1.5m |
| 149 | 1200658551 | 808000E02M1001 | 10m |
| 150 | 1200658562 | 803000E03M010 | 1m |
| 151 | 1200658563 | 803000E03M040 | 4m |
| 152 | 1200658570 | 804000E03M040 | 4m |
| 153 | 1200658590 | 808000E02M030 | 3m |
| 154 | 1200658591 | 808000E02M040 | 4m |
| 155 | 1200658592 | 805000E03M040 | 4m |
| 156 | 1200658609 | 804000P02M020 | 2m |
| 157 | 1200658610 | 803000P03M040 | 4m |
| 158 | 1200658622 | 804000P03M010G | 1m |
| 159 | 1200658623 | 804000P03M030G | 3m |
| 160 | 1200658630 | 804000P03M040G | 4m |
| 161 | 1200658632 | 805000H09M010 | 1m |
| 162 | 1200658633 | 805000H09M015 | 1.5m |
| 163 | 1200658634 | 805000H09M030 | 3m |
| 164 | 1200658635 | 805000H09M040 | 4m |
| 165 | 1200658636 | 803000H09M010 | 1m |
| 166 | 1200658637 | 803000H09M015 | 1.5m |
| 167 | 1200658638 | 803000H09M030 | 3m |
| 168 | 1200658639 | 803000H09M040 | 4m |
| 169 | 1200658640 | 804000H09M010 | 1m |
| 170 | 1200658641 | 804000H09M040 | 4m |
| 171 | 1200658642 | 808000H08M010 | 1m |
| 172 | 1200658643 | 808000H08M015 | 1.5m |
| 173 | 1200658644 | 808000H08M020 | 2m |
| 174 | 1200658645 | 808000H08M030 | 3m |
| 175 | 1200658646 | 808000H08M040 | 4m |

| No. | Part No. | Engineering No. | Cable Length |
|-----|------------|-----------------|--------------|
| 176 | 1200658780 | 805000H09M200 | 20m |
| 177 | 1200658782 | 804000E03M060 | 6m |
| 178 | 1200658812 | 808000E02M150 | 15m |
| 179 | 1200658813 | 808000H08M025 | 2.5m |
| 180 | 1200658860 | 808000E02M0061G | 0.6m |
| 181 | 1200658880 | 804000H09M200 | 20m |
| 182 | 1200658882 | 804000E03M100H | 10m |
| 183 | 1200658887 | 803000E03M020H | 2m |
| 184 | 1200658889 | 803000E03M050H | 5m |
| 185 | 1200658891 | 804000H09M003 | 0.3m |
| 186 | 1200658894 | 804000E03M020G | 2m |
| 187 | 1200658896 | 804000E03M075 | 7.5m |
| 188 | 1200658899 | 808000H08M250 | 25m |
| 189 | 1200658907 | 804000H09M020H | 2m |
| 190 | 1200658920 | 808000E02M005H | 0.5m |
| 191 | 1200658921 | 808000E02M010H | 1m |
| 192 | 1200658927 | 804000P02M050 | 5m |
| 193 | 1200658928 | 805000E03M1001 | 10m |
| 194 | 1200658930 | 808000H08M150 | 15m |
| 195 | 1200658977 | 805000P03M050G | 5m |
| 196 | 1200658983 | 804000E03M002 | 0.2m |
| 197 | 1200658984 | 808000E02M2501 | 25m |
| 198 | 1200658990 | 805000P03M050H | 5m |
| 199 | 1200658991 | 805000P03M100H | 10m |
| 200 | 1200659038 | 804000E02M100 | 10m |
| 201 | 1200659040 | 804000E02M050 | 5m |
| 202 | 1200659052 | 808000E02M2001 | 20m |
| 203 | 1200659053 | 808000E02M3001 | 30m |
| 204 | 1200659054 | 803000E03M050Y | 5m |
| 205 | 1200659055 | 803000E03M100Y | 10m |
| 206 | 1200659058 | 804000E03M050Y | 5m |
| 207 | 1200659059 | 804000E03M100Y | 10m |
| 208 | 1200659082 | 805000E03M100Y | 10m |
| 209 | 1200659088 | 804000P03M050HY | 5m |
| 210 | 1200659092 | 808000P02M050Y | 5m |

| No. | Part No. | Engineering No. | Cable Length |
|-----|------------|-----------------|--------------|
| 211 | 1200659097 | 804000H09M050Y | 5m |
| 212 | 1200659100 | 808000E02M050Y | 5m |
| 213 | 1200659102 | 808000H08M100Y | 10m |
| 214 | 1200659103 | 808000E02M100Y | 10m |
| 215 | 1200659106 | 808000E02M150Y | 15m |
| 216 | 1200659107 | 808000H08M150Y | 15m |
| 217 | 1200659123 | 804000P03M100HY | 10m |
| 218 | 1200659144 | 805000H09M300 | 30m |
| 219 | 1200659187 | 808000E02M4001 | 40m |
| 220 | 1200659199 | 808000E02M150H | 15m |
| 221 | 1200659200 | 808000E02M250H | 25m |
| 222 | 1200659207 | 805000E03C230 | 0.23m |
| 223 | 1200659214 | 805000P03M300 | 30m |
| 224 | 1200659256 | 808000E02M200 | 20m |
| 225 | 1200659279 | 805000E03M007 | 0.7m |
| 226 | 1200659280 | 805000E03M350 | 35m |
| 227 | 1200659282 | 805000P03M005 | 0.5m |
| 228 | 1200659283 | 805000P03M007 | 0.7m |
| 229 | 1200659302 | 804000P03M1005 | 10m |
| 230 | 1200659326 | 805000P03M020H | 2m |
| 231 | 1200659329 | 805000P03M150H | 15m |
| 232 | 1200659330 | 805000P03M200H | 20m |
| 233 | 1200659334 | 808000P02M200H | 20m |
| 234 | 1200659340 | 804000P03M1501 | 15m |
| 235 | 1200659341 | 804000P03M2501 | 25m |
| 236 | 1200659368 | 805000E03M015 | 1.5m |
| 237 | 1200659370 | 804000P03M020Y | 2m |
| 238 | 1200659387 | 808000E02M500 | 50m |
| 239 | 1200659388 | 804000P03M012 | 1.2m |
| 240 | 1200659389 | 804000P03M075 | 7.5m |
| 241 | 1200659397 | 808000P02M100Y | 10m |
| 242 | 1200659399 | 808000P02M015 | 1.5m |
| 243 | 1200659474 | 804000P03M250 | 25m |
| 244 | 1200659475 | 804000P03M300 | 30m |
| 245 | 1200659509 | 805000E03M600 | 60m |

| No. | Part No. | Engineering No. | Cable Length |
|-----|------------|-----------------|--------------|
| 246 | 1200659552 | 808000P02M050H | 5m |
| 247 | 1200659553 | 808000P02M100H | 10m |
| 248 | 1200659554 | 808000P02M150H | 15m |
| 249 | 1200659584 | 803000H09M003 | 0.3m |
| 250 | 1200659594 | 805000P03M300H | 30m |
| 251 | 1200659595 | 805000P03M350H | 35m |
| 252 | 1200659613 | 808000E02M300 | 30m |
| 253 | 1200659786 | 804000E02M041 | 4.1m |
| 254 | 1200659790 | 804000E02M020 | 2m |
| 255 | 1200659538 | 808000E02M100 | ** 10m |
| 256 | 1200656061 | 803000E02M010 | 1m |
| 257 | 1200656303 | 805000E03M050Y | 5m |
| 258 | | | |
| 259 | | | |
| 260 | | | |
| 261 | | | |
| 262 | | | |
| 263 | | | |
| 264 | | | |
| 265 | | | |
| 266 | | | |
| 267 | | | |
| 268 | | | |
| 269 | | | |
| 270 | | | |
| 271 | | | |
| 272 | | | |
| 273 | | | |
| 274 | | | |
| 275 | | | |
| 276 | | | |
| 277 | | | |
| 278 | | | |
| 279 | | | |
| 280 | | | |

NOTES:

- * - Part No. with Yellow PVC overmolding
- ** - Part No. with Black PVC overmolding

| | | | |
|-----------------|-----|--|--|
| QUALITY SYMBOLS | | THIS DRAWING CONTAINS INFORMATION THAT IS PROPRIETARY TO MOLEX ELECTRONIC TECHNOLOGIES, LLC AND SHOULD NOT BE USED WITHOUT WRITTEN PERMISSION | |
| | = 0 | GENERAL TOLERANCES (UNLESS SPECIFIED) ANGULAR TOL ± 1.0 ° 4 PLACES ± 3 PLACES ± 2 PLACES ± 0.05 1 PLACE ± 0.3 0 PLACES ± 0.5 DRAFT WHERE APPLICABLE MUST REMAIN WITHIN DIMENSIONS | DIMENSION UNITS: mm SCALE: 1:1 DRWN BY: JMARSZALEK DATE: 2016/01/11 CHK'D BY: DATE: APPR BY: RSILLER DATE: 2016/04/08 |
| | = 0 | | |
| | = 0 | | |
| | = 0 | | |
| | = 0 | | |
| | = 0 | EC NO: 606584 DRWN: AKONDRACIUK CHK'D: DSTACHOWIAK APPR: DSTACHOWIAK | DRAWING SIZE: A3 THIRD ANGLE PROJECTION |
| | = 0 | | |
| | = 0 | PRODUCT CUSTOMER DRAWING SERIES: 120065 MATERIAL NUMBER: SEE PART LIST CUSTOMER: GENERAL MARKET | |
| | = 0 | DOCUMENT NUMBER: 1200651978 DOC TYPE: PSD DOC PART: 000 SHEET NUMBER: 4 OF 4 | |