

Toggle switch, 22 mm, round, plastic, black, knob, short, 2 switch positions O-I, latching, actuating angle 50 degrees, 11/1 o'clock, with holder, 1 NO, screw terminal !!! Phased-out product !!! Successor is SIRIUS ACT 3SU1 Preferred successor type is >>3SU1002-2BF10-0AA0 + 3SU1400-1AA10-1BA0 + 3SU1500-0AA10-0AA0<<



Design of the product	Complete unit round
<b>Enclosure</b>	
Shape of the enclosure front	round
Material of the enclosure	plastic
Number of command points	1
<b>Actuator</b>	
Design of the operating mechanism	selector switch
Manner of function of the actuating element	Latching
Product extension optional Light source	No
Color	
• of the actuating element	black
Material of the actuating element	plastic
Type of unlocking device	rotate-to-unlatch mechanism
Number of switching positions	2
<b>Front ring</b>	
Product component front ring	Yes
Design of the front ring	Standard
Material of the front ring	plastic

Color of the front ring	black
<b>Holder</b>	
Material of the holder	Plastic
<b>Contact block/ lampholder</b>	
Number of lampholders	0
Number of switching elements	1
<b>General technical data</b>	
<b>Product function</b>	
• positive opening	No
• EMERGENCY STOP function	No
<b>Product component</b>	
• Light source	No
<b>Type of voltage</b>	
• of the operating voltage	AC/DC
<b>Protection class IP</b>	IP66
<b>Vibration resistance</b>	
• acc. to IEC 60068-2-6	20 ... 200 Hz: 5g
<b>Operating frequency maximum</b>	1 000 1/h
<b>Mechanical service life (switching cycles)</b>	
• typical	300 000
<b>Reference code acc. to DIN 40719 extended according to IEC 204-2 acc. to IEC 750</b>	S
<b>Operating voltage</b>	
• rated value	5 ... 400 V
<b>Auxiliary circuit</b>	
<b>Number of NC contacts</b>	
• for auxiliary contacts	0
<b>Number of NO contacts</b>	
• for auxiliary contacts	0
<b>Number of CO contacts</b>	
• for auxiliary contacts	0
<b>Operating current at AC-12</b>	
• at 24 V rated value	10 A
• at 48 V rated value	10 A
• at 110 V rated value	10 A
• at 230 V rated value	10 A
• at 400 V rated value	10 A
<b>Operating current at AC-15</b>	
• at 24 V rated value	6 A
• at 48 V rated value	6 A
• at 110 V rated value	6 A

<ul style="list-style-type: none"> <li>• at 230 V rated value</li> <li>• at 400 V rated value</li> </ul>	<p>6 A</p> <p>3 A</p>
<b>Operating current at DC-12</b>	
<ul style="list-style-type: none"> <li>• at 24 V rated value</li> <li>• at 48 V rated value</li> <li>• at 110 V rated value</li> <li>• at 230 V rated value</li> </ul>	<p>10 A</p> <p>5 A</p> <p>2.5 A</p> <p>1 A</p>
<b>Operating current at DC-13</b>	
<ul style="list-style-type: none"> <li>• at 24 V rated value</li> <li>• at 48 V rated value</li> <li>• at 110 V rated value</li> <li>• at 230 V rated value</li> </ul>	<p>3 A</p> <p>1.5 A</p> <p>0.7 A</p> <p>0.3 A</p>

### Connections/Terminals

<b>Type of electrical connection</b>	screw-type terminals
<b>Tightening torque of the screws in the bracket</b>	1 ... 1.2 N·m

### Ambient conditions

<b>Ambient temperature</b>	
<ul style="list-style-type: none"> <li>• during operation</li> <li>• during storage</li> </ul>	<p>-25 ... +70 °C</p> <p>-40 ... +80 °C</p>
Environmental category during operation acc. to IEC 60721	3K6



### Installation/ mounting/ dimensions




<b>Mounting type</b>	front mounting
<b>Shape of the installation opening</b>	round
<b>Mounting diameter</b>	22 mm
<b>Mounting height</b>	24 mm
<b>Installation width</b>	28.5 mm
<b>Installation depth</b>	49 mm

### Accessories

<b>Product component holder for 3 switching elements</b>	No
----------------------------------------------------------	----

### Certificates/approvals

General Product Approval			Declaration of Conformity	Test Certificates	Marine / Shipping
				<a href="#">Special Test Certificate</a>	
CSA	UL		EG-Konf.		ABS

Marine / Shipping	other				
			<a href="#">Environmental Confirmations</a>	<a href="#">Miscellaneous</a>	<a href="#">Confirmation</a>
LRS	PRS	RINA			

### Further information

**Information- and Downloadcenter (Catalogs, Brochures,...)**

<http://www.siemens.com/industrial-controls/catalogs>

**Industry Mall (Online ordering system)**

<https://mall.industry.siemens.com/mall/en/en/Catalog/product?mlfb=3SB3202-2KA11>

**Cax online generator**

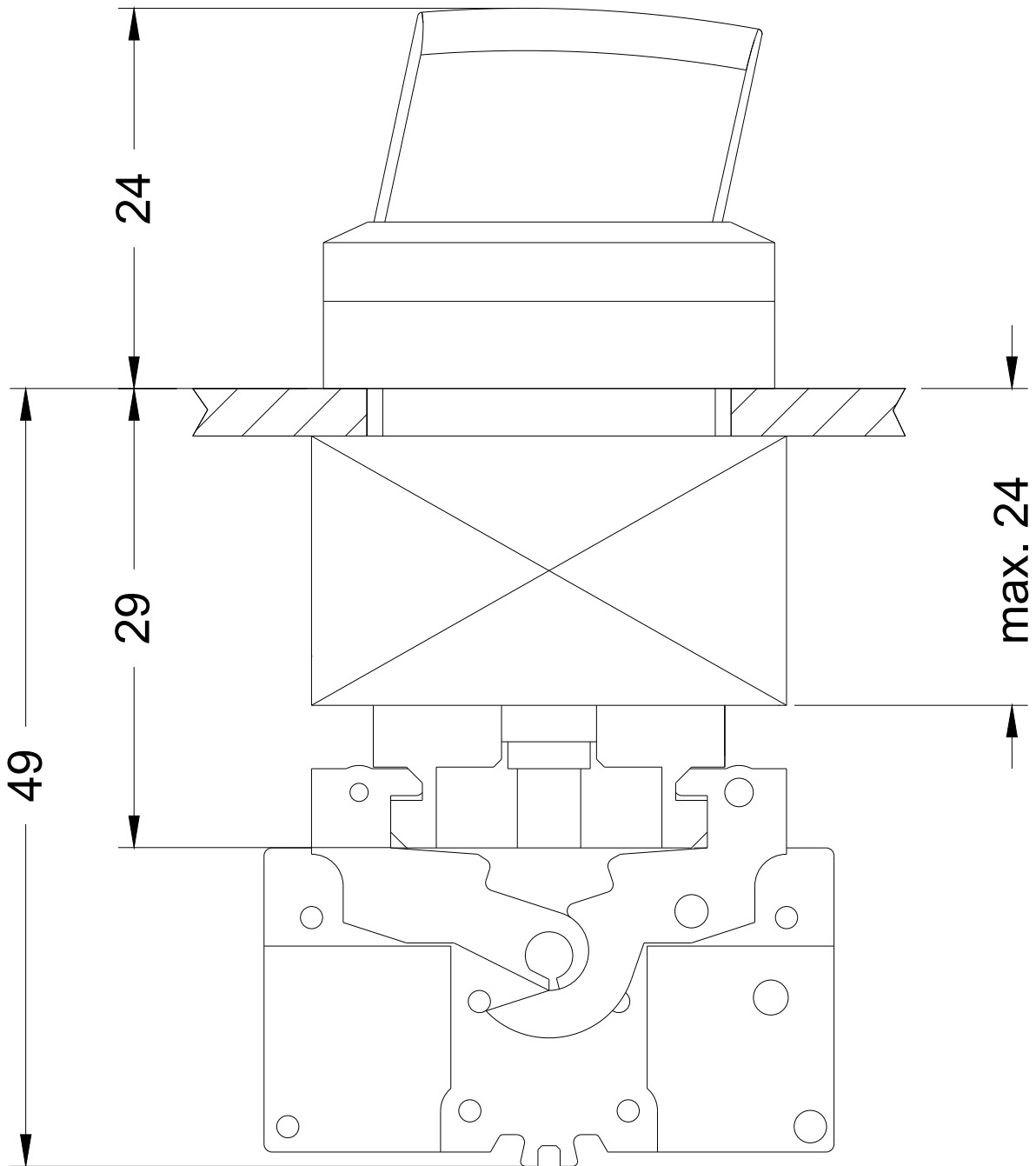
<http://support.automation.siemens.com/WW/CAXorder/default.aspx?lang=en&mlfb=3SB3202-2KA11>

**Service&Support (Manuals, Certificates, Characteristics, FAQs,...)**

<https://support.industry.siemens.com/cs/ww/en/ps/3SB3202-2KA11>

**Image database (product images, 2D dimension drawings, 3D models, device circuit diagrams, EPLAN macros, ...)**

[http://www.automation.siemens.com/bilddb/cax\\_de.aspx?mlfb=3SB3202-2KA11&lang=en](http://www.automation.siemens.com/bilddb/cax_de.aspx?mlfb=3SB3202-2KA11&lang=en)



last modified:

07/27/2018