



Safety switch with separate actuator ST 14 1Ö/1S - 2m

Material number: 1045455 (Material number old: 14053702)

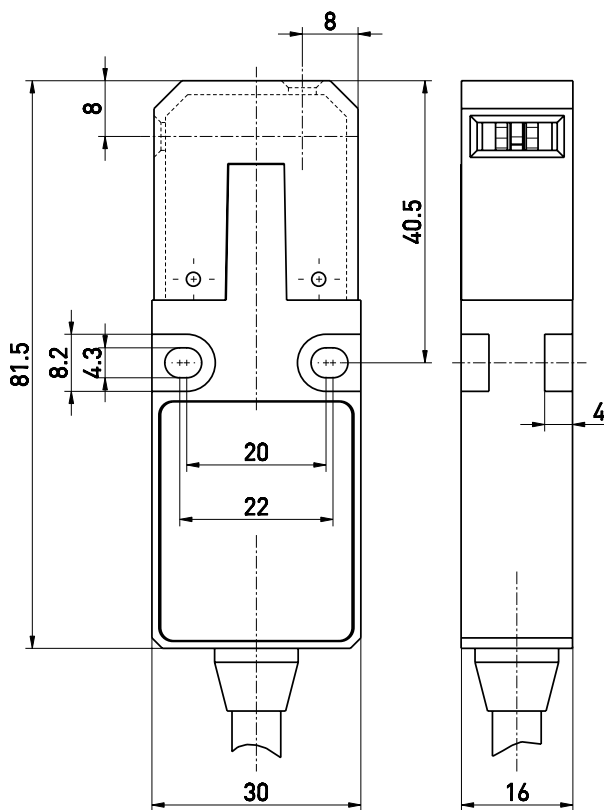
Features/Options:

- Thermoplastic enclosure
- Double insulated
- With pre-wired cable, cable length 2 m

Notes

- The actuator is not included in the delivery of the switches

Dimensions



Technical data

Standards	EN 60947-5-1; EN ISO 13849-1; EN ISO 14119; BG-GS-ET-15
Enclosure	glass-fibre reinforced, shock-proof thermoplastic (PA 66), self-extinguishing UL 94-V0
Tightening torque	mounting screw enclosure: max. 1.5 Nm
Switch type	type 2
Coding level	low coding
Degree of protection	IP 67 to IEC/EN 60529
Contact material	silver
Switching system	slow action, positive break NC contacts \ominus
Switching elements	1 NC/1 NO contact, type Zb
Connection	cable 4 x AWG 20, \varnothing 5.4 mm, UL 2464
Cable cross-section	4 x 0.56 mm ²
B _{10d} (10 % Load)	2 million
T _M	max. 20 years
U _{imp}	4 kV
U _i	250 V
I _{the}	6 A
I _e /U _e	6 A/250 VAC; 0.25 A/230 VDC; 4 A/24 VDC
Utilisation category	AC-15; DC-13
Max. fuse rating	6 A gG/gN fuse
Positive break travel	8 mm
Ambient temperature	-20 °C ... +75 °C
Mechanical life	> 1 million operations

Errors and omissions excepted.



Safety switch with separate actuator

ST 14 1Ö/1S - 2m

Material number: 1045455 (Material number old: 14053702)

Technical data

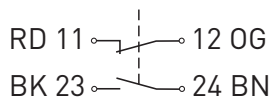
Approvals



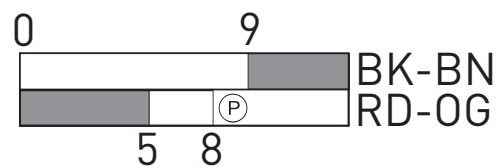
Weight

120 g

Contact diagram



Switching diagram



Note

Inserted position of actuator = 0 in switching diagram.
The actuator is not included with the switches.