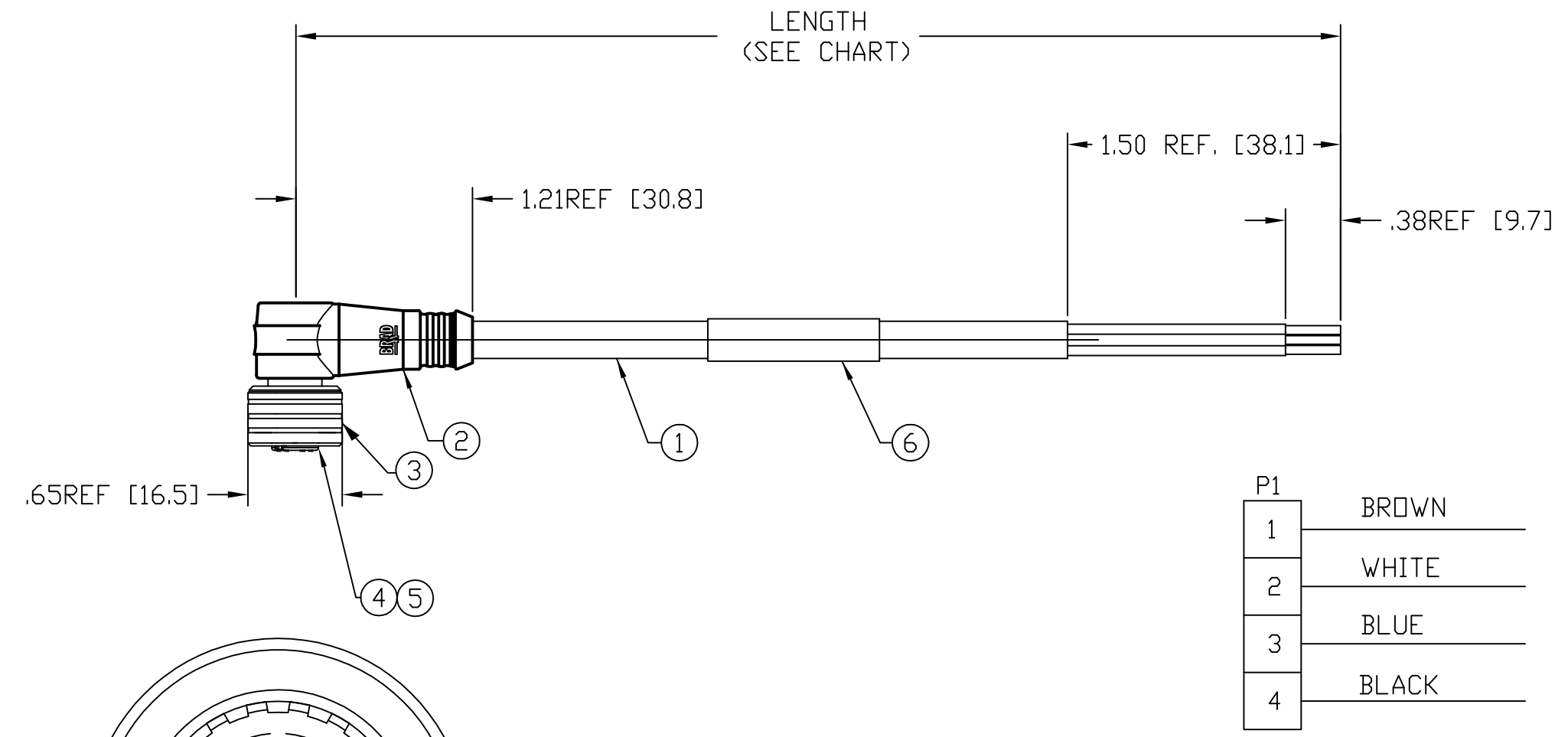
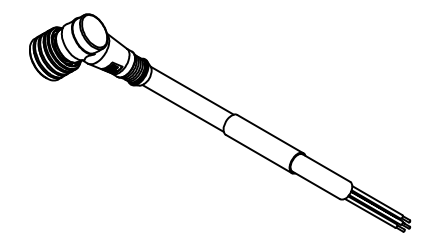


PART NUMBER	ENGINEERING NO.	LENGTH
1200798013	W04001P03M020	6' 6" +3.5" - 0 [2M +90MM - 0]
1200795071	W04001P03M040	13' 1" +6.5" - 0 [4M +150MM - 0]
1200798007	W04001P03M050	16' 4" +6.5" - 0 [5M +150MM - 0]
1200795073	W04001P03M060	19' 7" +6.5" - 0 [6M +150MM - 0]
1200795072	W04001P03M100	32' 4" +12.5" - 0 [10M +300MM - 0]



P1	
1	BROWN
2	WHITE
3	BLUE
4	BLACK

- NOTES:
- 1) MATERIAL: SEE TABLE
 - 2) FINISHES: SEE TABLE
 - 3) WRAP LABEL IS MARKED WITH P/N, DATE CODE, VOLTAGE & AMPERAGE.
 - 4) MATES WITH: MICRO CHANGE, 4 POLE RECEPTACLE
 - 5) ELECTRICAL DATA:
 INLINE CORDSET
 FEMALE A-CODING WITH FLYING LEADS
 22AWG UNSHIELDED
 POLES: 4
 MAX. VOLTAGE: 250V
 MAX. CURRENT 4A
 CONTACT RESISTANCE: <5M Ohm
 PROTECTION IP67/68/69K
 TEMPERATURE RANGE:-20°C TO 80°C
 - 6) PACKAGING:
 CABLE ASSEMBLIES ARE BAGGED SEPERATELY
 IN POLY BAGS WITH BAR CODE LABEL ATTACHED
 TO OUTSIDE OF BAG.
 - 7) ASSEMBLY IS RoHS COMPLIANT.

A-CODE

ITEM	QTY.	DESCRIPTION	MATERIAL	FINISH
6	1	LABEL	PLASTIC FILM	BLACK/YELLOW
5	4	SOCKET	COPPER ALLOY	GOLD PLATED
4	1	INSERT	PUR	BLACK
3	1	COUPLING NUT	BRASS	NICKEL PLATED
2	1	OVERMOLD	PUR	YELLOW
1	1	CABLE, 22AWG-4	PUR JACKET	BLACK

RELEASE EC NO: WEU2010-0062 DRWN: BWOODMAN 8/19/09 CH'KD: LH APPR: JFMURPHY 2009/08/21	QUALITY SYMBOL	GENERAL TOLERANCES (UNLESS SPECIFIED)		DIMENSION STYLE		SCALE	DESIGN UNITS	THIRD ANGLE PROJECTION	
	$\nabla=0$ $\sphericalangle=0$	4 PLACES	mm	INCH	DRAWN BY	DATE	TITLE	MICRO CHANGE ULTRA LOCK 4-POLE FEMALE 90DEGREE 22/4 AWG PUR	
		3 PLACES	±----	±----	BW	2009/08/19			
		2 PLACES	±----	±----	CHECKED BY	DATE	MOLEX INCORPORATED		
		1 PLACE	±----	±----	LH	2009/08/19			
		ANGULAR ±----°		APPROVED BY	DATE	MATERIAL NO.	DOCUMENT NO.	SHEET NO.	
		DRAFT WHERE APPLICABLE MUST REMAIN WITHIN DIMENSIONS		SEE CHART		SEE CHART	SD-120079-015	1 OF 1	
		THIS DRAWING CONTAINS INFORMATION THAT IS PROPRIETARY TO MOLEX INCORPORATED AND SHOULD NOT BE USED WITHOUT WRITTEN PERMISSION							